

Flashing light 10 Joules PB 2010



A beautiful classic flashing light for indoors and outdoors

- high reliability and long service life due to full on-board electronics
- large variety of mounting methods – cable entry at the side or through the base of the housing
- extremely safe and reliable
- increased dispersion of light due to micro-prisms in the surface of the lens
- capable of being integrated in any application thanks to the pyramid design
- flash tube additionally secured by a steel clamp



Range as per EN 54



Protection system

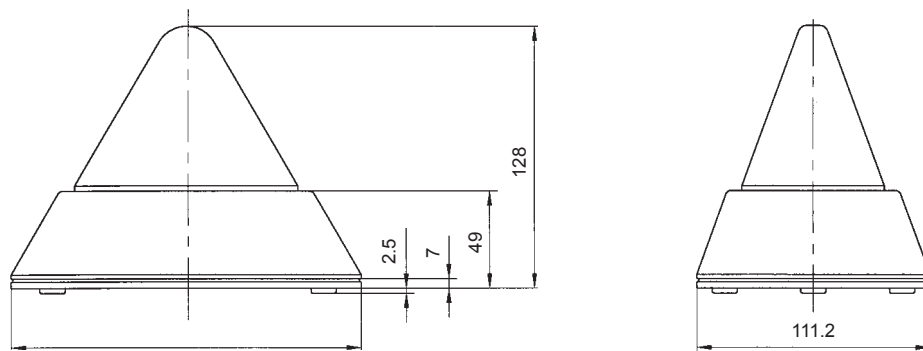


Operating temperature

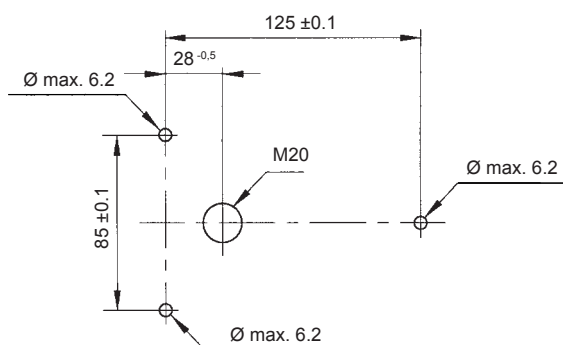
Electrical data	AC	PB 2010				
Rated voltage	230 V AC	110 V AC	42 V AC	24 V AC		
Rated frequency	50 Hz / 60 Hz	50 Hz / 60 Hz	50 Hz / 60 Hz	50 Hz / 60 Hz		
Operating range	185 V – 255 V	90 V – 135 V	35 V – 50 V	20 V – 30 V		
Nominal current consumption	0.14 A	0.23 A	0.72 A	1.50 A		
Electrical data	DC	PB 2010				
Rated voltage	80 V DC	60 V DC	48 V DC	36 V DC	24 V DC	12 V DC
Operating range	64 V – 96 V	50 V – 72 V	40 V – 60 V	36 V – 45 V	18 V – 30 V	10 V – 15 V
Nominal current consumption	0.18 A	0.21 A	0.30 A	0.45 A	0.56 A	1.21 A

Mechanical data	PB 2010	
Flash rate	1 Hz = 60 flashes/min.	
Flash energy	10 Joules	
Light intensity (DIN 5037)	clear lens	118 cd
Lens colours	clear, white, yellow, amber, red, green, blue	
Operating temperature	- 30 °C ... + 55 °C	
Storage temperature	- 40 °C ... + 70 °C	
Relative humidity	90 %	
Protection system according to EN 60529	IP 55 (if mounted vertically/horizontally)	
Duty cycle	100 %	
Service life of the flash tube	light emission still 70 % after 8,000,000 flashes	
Material	lens	polycarbonate (PC)
	housing	ABS, light grey, similar to RAL 7035 (optionally graphite grey RAL 7024)
	base	ABS, light grey, similar to RAL 7035 (optionally graphite grey RAL 7024)
Cable entry	M20 x 1.5, either at the side or underneath	
Connecting terminals	screw terminals 1.5 mm ²	
Weight	AC version	340 g
	DC version	400 g

Dimensions



Mounting holes



Ordering details

Article numbers		PB 2010		
Lens colour	Rated voltage	230 V AC	110 V AC	24 V DC
yellow		210 30 10 3 000	210 30 16 3 000	210 30 80 3 000
amber		210 30 10 4 000	210 30 16 4 000	210 30 80 4 000
red		210 30 10 5 000	210 30 16 5 000	210 30 80 5 000
Article numbers		PB 2010 with GL approval		
Lens colour	Rated voltage	230 V AC	24 V DC	
yellow		210 30 10 3 001	210 30 80 3 001	
amber		210 30 10 4 001	210 30 80 4 001	
red		210 30 10 5 001	210 30 80 5 001	

Article numbers for other colours and voltages on request

Options / accessories



Conformity to standards

The visual characteristics of flashing lights conform to the European standard DIN EN 842: 'Machine safety – visual alarm signals'. Requirements contained in the DIN EN 981 standard: 'Machine safety – system of acoustic and visual alarm and information signals', can be fulfilled. The colours 'red' for the emergency signal and 'yellow' for the warning signal conform to the requirements of IEC 73 / DIN EN 60073 / VDE 0199: 'Coding of display devices and control elements using colours and supplementary means'.

References to visual alarm devices can be found in the following standards:
 EN 60825-1 Radiation safety of laser devices, identical to IEC 825 and DIN-VDE 0837
 DIN EN 54 Fire alarm systems
 DIN 54113-2 Radiation protection regulations for the technical operation of X-ray equipment up to 500 kV