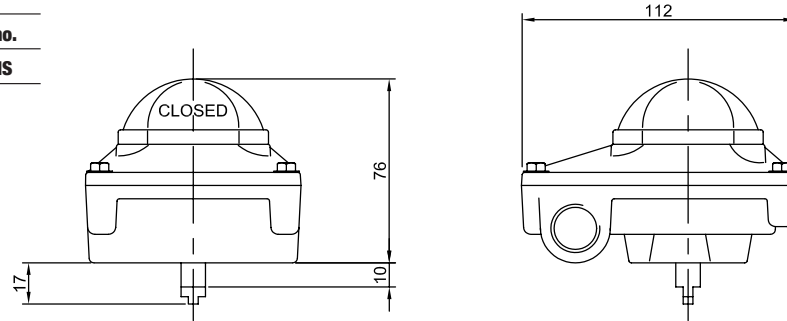
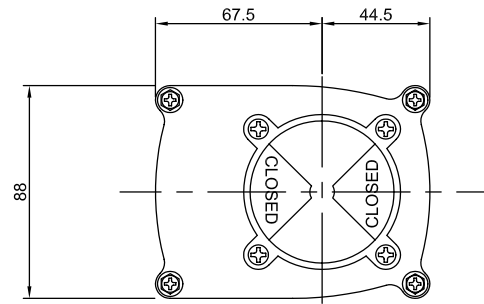
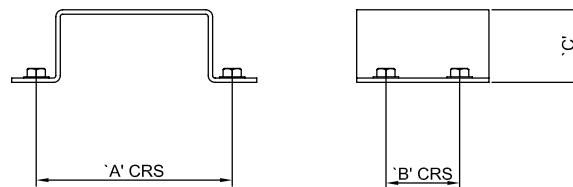


APL220N Switchbox

Article no.
SWBOXIS



Mounting Bracket



Bracket	A	B	C	Application
MBP-100	80	30	30	80 x 30 x 20
MBP-200	80	30	40	80 x 30 x 30
MBP-300	130	30	40	130 x 30 x 30
MBP-400	130	30	60	130 x 30 x 50

Description:

Powder Coated Aluminium Switchbox to IP67 fitted with 2 x 2 Wire Proximity sensors for indication of fully open and fully closed positions. Solid and compact design with high visibility beacon indicator. Captive cover bolts are safely retained during installation and maintenance. The spring loaded splined cams are easily adjustable with no tools required. Dual cable entries are provided. The switchbox is mounted to the actuator using a NAMUR standard stainless steel mounting bracket.

Standard Specification:

- Enclosure Material : Die Cast Aluminium
- Enclosure Rating : IP67
- Enclosure Finish : Polyester powder coating (Black)
- Shaft Material : Stainless Steel
- Cable Entries : 2 x M20 (Options PG13.5 & 1/2"NPT)
- Sensor Type : 2 x P & F NJ2-V3-N Proximity Sensors
- Sensor Rating : Atex IIG Eexia IIC T6
- Voltage : 8V DC - 2 Wire
- Ambient Temperature : -20° to +80° C

Options:

- Enclosure Rating : IP68
- Enclosure Finish : Various colours
- Proximity sensors : 3 Wire - See Data Sheet: 2.12.1
- Beacon Indicator : 3 Way Indication

