

MAIN FEATURES

Series of miniaturized encoders for integration on small size AC/DC motors, stepper motors or for limited size applications

- Up to 1024 ppr
- No wear due to absence of bearings
- Easy assembly
- Compact size



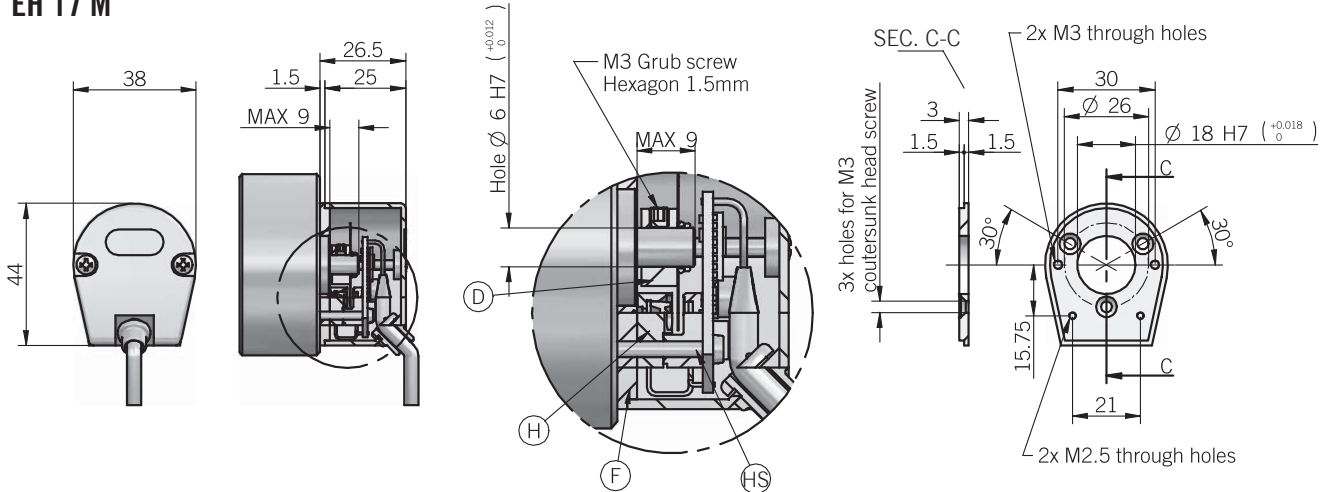
ORDERING CODE

SERIES incremental encoder series EH	SIZE mm 17 mm 30	TYPE kit encoder EH17 M - EH30 M	RESOLUTION ppr from 50 to 1024	ZERO PULSE without zero pulse S with zero pulse Z	POWER SUPPLY 5 V DC 5 8 ... 24 V DC 8/24	OUTPUT TYPE PR radial cable output (standard length 0.5 m)	MAX ROTATION SPEED 6 6000 rpm	ENCLOSURE RATING X IP 54	BORE DIAMETER 6 ϕ 6 mm 6,35 ϕ 6,35 mm (1/4")	ELECTRONIC INTERFACE N NPN C NPN open collector P push pull L line driver	VARIANT XXX custom version
--	-------------------------------	--	--	--	---	--	---	------------------------------------	---	--	--------------------------------------

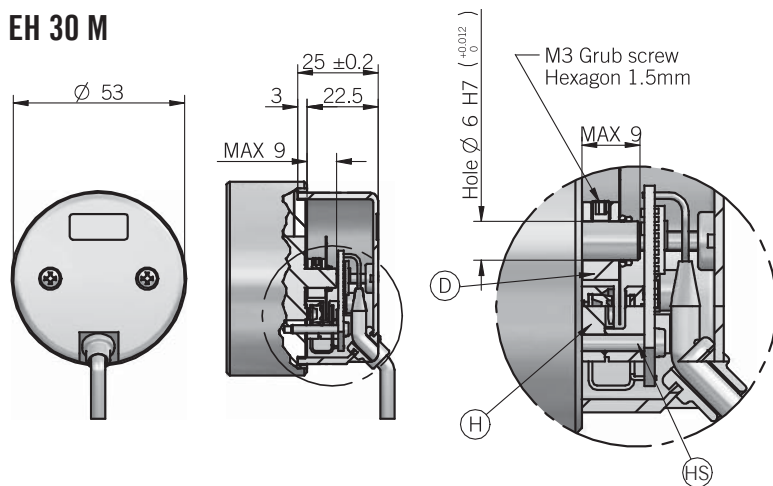
Electrical specifications	
Resolution	from 50 to 1024 ppr
Power supply	5 V DC \pm 10% 8 ... 24 V DC \pm 5%
Current consumption without load	50 mA bidirectional 100 mA bidirectional with zero
Max load current	50 mA for channel 20 mA for channel (line driver)
Output type	NPN NPN open collector push-pull line driver
Max output frequency	105 KHz
Counting direction	A leads B clockwise (shaft view)
Electromagnetic compatibility	IEC 61000-6-1 IEC 61000-6-4

Mechanical specifications	
Bore diameter	ϕ 6 / 6,35 (1/4") mm H7
Enclosure rating	IP 54
Max rotation speed	6000 rpm
Hub material	Aluminium
Flange material	Aluminium
Cover material	PA 66 reinforced with glass fiber
Operating temperature	-20° ... +60 °C
Storage Temperature	-25° ... +70 °C

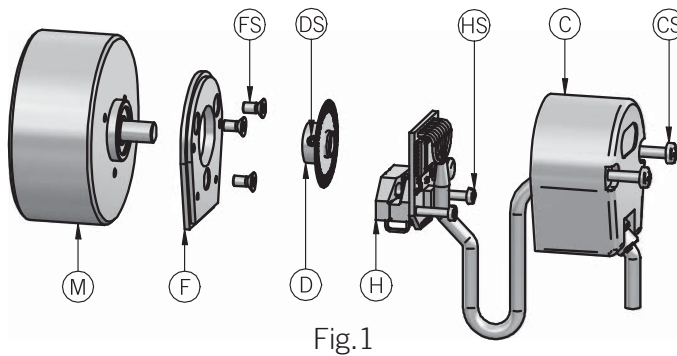
EH 17 M



EH 30 M



How to install



EH17M

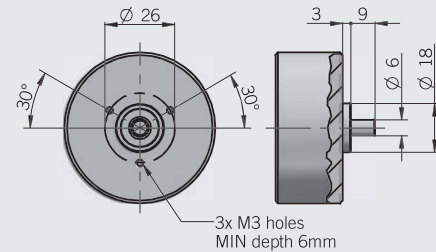
- 1 - Fix the flange F on the motor using three screws FS with a flared head of M3.
- 2 - Insert the disc-holder D on the shaft motor without fix.
- 3 - Put the encoder H and fix using two screws HS of M2.5.
- 4 - Place the disc D in half the reading head and tighten the screw M3 of the disc-holder (fig.2)
- 5 - Close the cover C with the M3X25 screws CS.

EH30

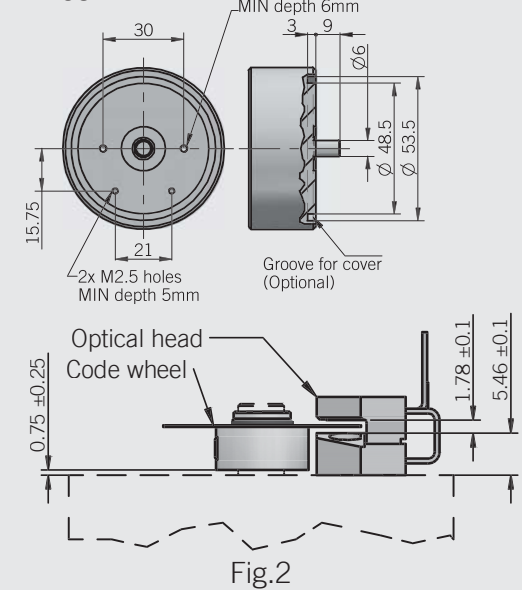
Repeat all steps except 1.

Raccomandato motor flange design

EH 17 M



EH 30 M



Connections and standard colours

Function	Push pull / Npn / Npn open collector	Line driver
+V DC	red	red
0 V	black	black
Ch. A	green	green
Ch. A-	/	brown
Ch. B	yellow	yellow
Ch. B-	/	orange
Ch. Z	blue	blue
Ch. Z-	/	white
⊥	shield	shield