



- HV Adaptor for AC Insulation Guards and Transducers for use in Isolated Networks (IT-Net)
- Up to 25kV Line Voltage
- Creates safety barrier from live HT network to LV switchboard
- Limits measuring output signal to safe levels
- No restrictions on distance between adapter and LV switchboard

## Specifications

<b>3 phase connection:</b>	
AR7	Up to 7,6kVAC
AR14	Up to 14kVAC
<b>Neutral connection:</b>	
AN7	Up to 7,6kVAC
AN14	Up to 14kVAC
AN25	Up to 25kVAC
<b>Frequency:</b>	40 to 400Hz
<b>Temperature:</b>	-10 to +54°C
<b>Ingress Protection:</b>	IP00
<b>App. Weigth:</b>	
AN7x	7,5kgs
AR7	8,5kgs
AN14x	15kgs
AR14	16,5kgs
AN25	23kgs
<b>Internal Resistance:</b>	
AN7 (old type)	5,1 Mohm
AN7B	1,65 Mohm
AR7	1,65 Mohm
AN14 (old type)	10 Mohm
AN14B	3,3 Mohm
AR14	3,3 Mohm
AN25 (oldtype)	10 Mohm
AN25B	3,3 Mohm

## Description

Voltage adaptors ARx or ANx are used together with insulation Guard KPM165x and KCM165x or insulation transducer MCM165x, for monitoring of line voltage from 0-25kV.

The adapters are a passive low-pass filter for use in 50, 60 or 400Hz networks, and is potted in polyurethane.

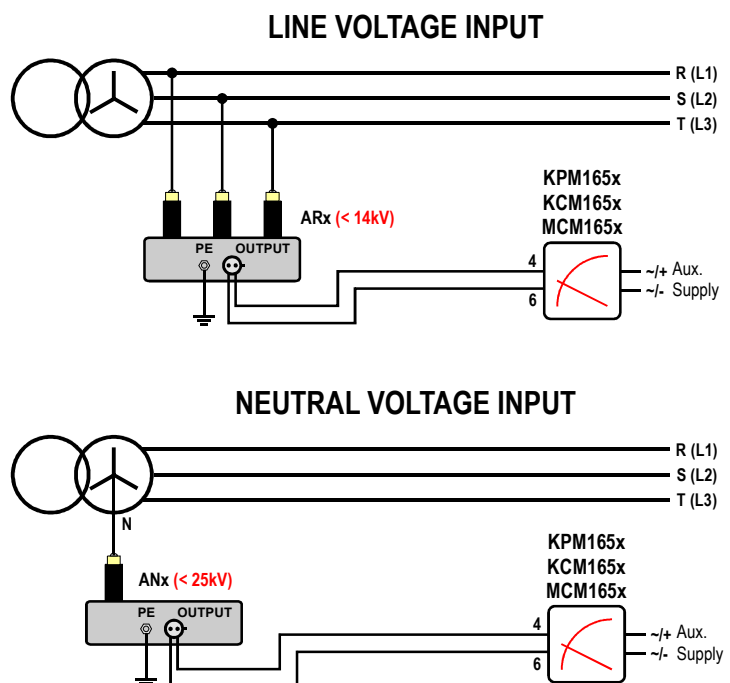
The unit includes high inductance reactance modules, connected in a special configuration to avoid DC saturation. The Adapters maintains a high AC suppression of its signal output to very low, safe levels, under all conditions.

Alternative connections to the AC network are shown below. Connection to the star-point (Neutral) is preferable.

## Caution

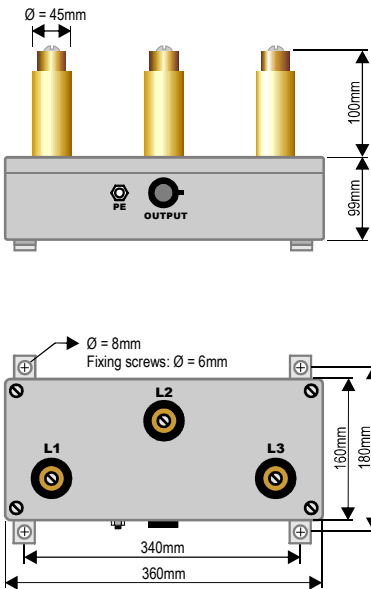
HT-terminals must be disconnected during "megger" test.

## Principle connection

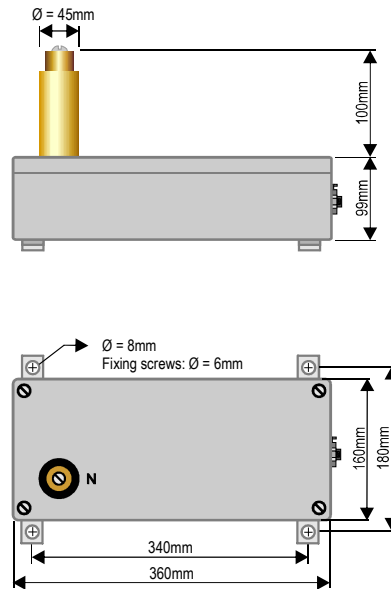


## Dimension and mounting

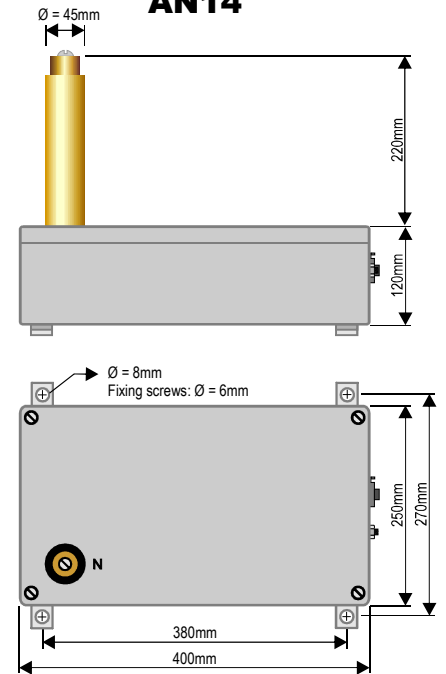
### AR7



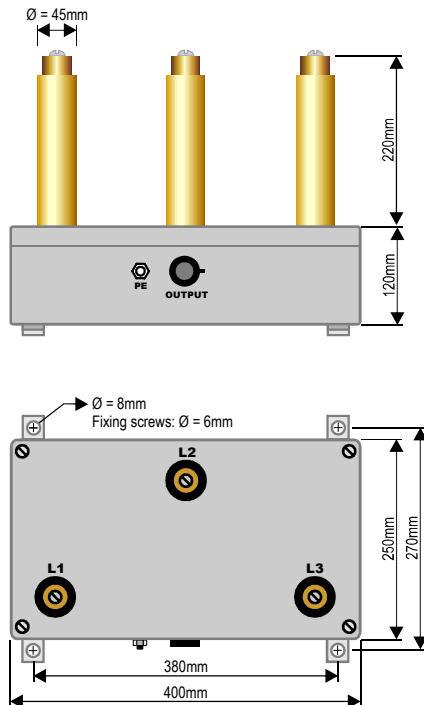
### AN7



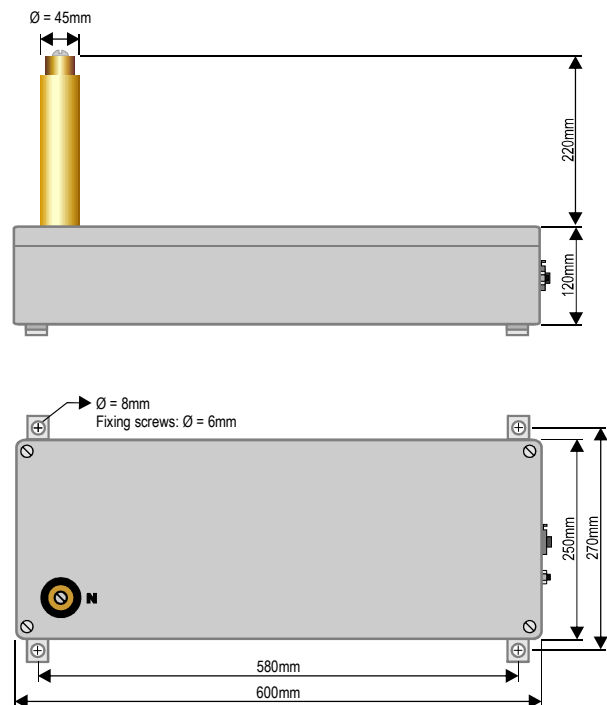
### AN14



### AR14



### AN25



The MEGACON policy is one of continuous improvement, consequently equipment supplied may vary in detail from this publication.

#### ORDERING INFORMATION

Product type :  
 Network voltage :  
 Example : AR14, 6000 VAC

