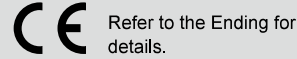




Single valve/sub-plate piping Pilot operated 5-port pneumatic valve **4F4/5/6/7 Series**

● Cylinder bore size: $\phi 63$ to $\phi 250$

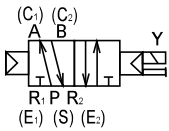


- 4GA/B
- M4GA/B
- MN4GA/B
- 4GA/B (mastr)
- 4GD/E
- M4GD/E
- MN4GD/E
- 4GA4/B4
- MN3E
MN4E
- W4GA/B2
- W4GB4
- 4TB
- 4L2-4/
LMF0
- MN3S0
MN4S0
- 4SA/B0
- 4KA/B
- 4KA/B (mastr)
- 4F**
- 4F (mastr)
- PV5G
GMF
- PV5
GMF
- PV5S-0
- 3QR
3QB
- MV3QR
- 3MA/B0
- 3PA/B
- P/M/B
- NP/NAP/
NVP
- 4F*0EX
- 4F*0E
- HMV
HSV
- 2QV
3QV
- SKH
- PCD
- Silencer
- TotAirSys
(Total Air)
- TotAirSys
(Gamma)
- Ending

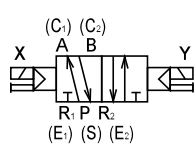
JIS symbol

● 5-port valve

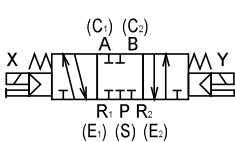
2-position single



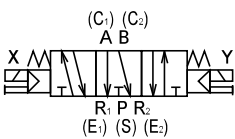
2-position double



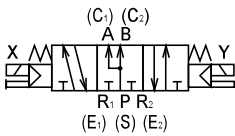
3-position all ports closed



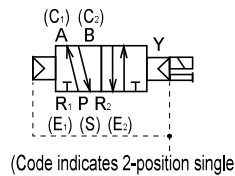
3-position A/B/R connection



3-position P/A/B connection



● External pilot



Common specifications

Descriptions	Content
Valve and operation	Pilot operated soft spool valve
Working fluid	Compressed air
Max. working pressure MPa	1.0 (≈ 150 psi, 10 bar)
Min. working pressure MPa (*2)	Refer to Individual specifications listed below
Proof pressure MPa	1.5 (≈ 220 psi, 15 bar)
Ambient temperature °C (*1)	-10 (14°F) to 60 (140°F) (no freezing)
Fluid temperature °C	5 (41°F) to 60 (140°F)
Lubrication	Not required (turbine oil ISO VG32 if necessary for lubrication)
Degree of protection	Dust-proof
Vibration resistance m/s^2	50 or less
Shock resistance m/s^2	300 or less
Atmosphere	Cannot be used in corrosive gas environment.

*1: The ambient temperature indicates the temperature for storage and upon installation, which will differ from the fluid temperature during operation.

*2: The working pressure range is 0 to 1.0 MPa when the external pilot (option code: K) is selected. Set the external pilot pressure between 0.15 and 1.0 MPa.

Electrical specifications

Descriptions	4F4 to 7		
Rated voltage V	AC	100, 200 (50/60 Hz)	
	DC	12,24	
Voltage fluctuation range	$\pm 10\%$		
Starting current	AC	100 V	0.170/0.140
		200 V	0.090/0.070
	A DC	12 V	0.500
		24 V	0.250
Holding current	AC	100 V	0.100/0.080
		200 V	0.050/0.040
	A DC	12 V	0.500
		24 V	0.250
Power W	AC	100 V	5.0/4.0
		200 V	5.0/4.0
	DC	12 V	6
		24 V	6
Thermal class	B (molded coil)		

Individual specifications

1 MPa = 10 bar

Descriptions		4F4	4F5	4F6	4F7				
Min. working pressure MPa	2-position	Single	0.10 (≈ 15 psi)	0.10 (≈ 15 psi)	0.15 (≈ 22 psi, 1.5 bar)				
		Double							
	3-position	All ports closed	0.15 (≈ 22 psi)	0.15 (≈ 22 psi)	0.15 (≈ 22 psi, 1.5 bar)				
		A/B/R connection							
P/A/B connection									
Port size *1		Rc 1/4	Rc 3/8	Rc 3/8	Rc 1/2	Rc 1/2	Rc 3/4	Rc 3/4	Rc 1
Response time	*2	ms	60	70	200	300			
Weight kg	2-position	Single	1.01	1.26	1.92	3.46			
		Double	1.29	1.58	2.26	3.78			
	3-position	1.45	1.84	2.56	4.80				

*1: As G and NPT threads can also be used for piping port screws, contact CKD for details.

*2: The response time is the value at 0.5 MPa working pressure, with no lubrication, and with the power ON. It depends on the pressure and the lubricant quality.

Flow characteristics

Model No.	Solenoid position	Port size	C[dm ³ /(s·bar)]	b	S(mm ²)	
4F4	2-position	Single	Rc1/4 Rc3/8	5.0	0.21	-
		Double				
	3-position	All ports closed		4.7	0.24	
		A/B/R connection		5.3	0.29	
		P/A/B connection		5.3	0.29	
4F5	2-position	Single	Rc3/8 Rc1/2	10.0	0.32	-
		Double				
	3-position	All ports closed		9.7	0.28	
		A/B/R connection		9.8	0.25	
		P/A/B connection				
4F6	2-position	Single	Rc1/2 Rc3/4	18.0	0.31	-
		Double				
	3-position	All ports closed		15.0	0.23	
		A/B/R connection				
		P/A/B connection				
4F7	2-position	Single	Rc3/4 Rc1	-	-	160
		Double				
	3-position	All ports closed				
		A/B/R connection				
		P/A/B connection				

*1: Effective cross-sectional area "S" and sonic conductance "C" are converted as $S \approx 5.0 \times C$.

Copper and PTFE free specifications

- Copper- and PTFE-based materials are not used in the flow path.

** - Voltage - **P6**

4GA/B
M4GA/B
MN4GA/B
4GA/B (mastr)
4GD/E
M4GD/E
MN4GD/E
4GA4/B4
MN3E MN4E
W4GA/B2
W4GB4
4TB
4L2-4/ LMF0
MN3S0 MN4S0
4SA/B0
4KA/B
4KA/B (mastr)
4F
4F (mastr)
PV5G GMF
PV5 GMF
PV5S-0
3QR 3QB
MV3QR
3MA/B0
3PA/B
P/M/B
NP/NAP/ NVP
4F*0EX
4F*0E
HMV HSV
2QV 3QV
SKH
PCD
Silencer
TotAirSys (Total Air)
TotAirSys (Gamma)
Ending

4F4 to 7 Series

Single valve; sub-plate piping

How to order single valve/sub-plate piping

4F4 **1** **0** - **08** - **M2** **L** - **AC100V**

● Single solenoid valve for manifold

4F4 **1** **9** - **00** - **M2** **L** - **AC100V** (4F4.5.6.7)

A Model No. **B** Solenoid position

C Port size

D Manual override

E Electrical connections

F Other options

G Voltage

⚠ Precautions for model No. selection

- *1 : The DC of the DIN terminal box with lamp (L) has a built-in surge suppressor. (Refer to page 1343 for the circuit diagram) with surge suppressor/lamp.
- *2 : Contact CKD when using a vacuum with the external pilot (K) and exhaust pressurizing.
- *3 : As G and NPT threads can also be used for piping port screws, contact CKD for details.
- *4 : 12 VDC models are not available for BL and GL.
- *5 : The surge suppressor for attachment is a suppression connector when the grommet lead wire is 24 VDC or less. (Refer to page 1343.)

[Example of model No.]

4F440-08-M2P-AC100V

- A** Model : 4F4
- B** Solenoid position : 3-position A/B/R connection
- C** Port size : Rc1/4
- D** Manual override : Non-locking
- E** Electrical connections : Blank for DIN terminal box (Pg11)
- F** Other options : Installation feet
- G** Voltage : 100 VAC

A Model No.

4F4 4F5 4F6 4F7

Code	Content	4F4	4F5	4F6	4F7
B Solenoid position					
1	2-position single	●	●	●	●
2	2-position double	●	●	●	●
3	3-position all ports closed	●	●	●	●
4	3-position A/B/R connection	●	●	●	●
5	3-position P/A/B connection	●	●	●	●

C Port size *3					
08	Rc1/4	●			
10	Rc3/8	●	●		
15	Rc1/2		●	●	
20	Rc3/4			●	●
25	Rc1				●

D Manual override					
Blank	Locking	●	●	●	●
M2	Non-locking	●	●	●	●
M3	Locking with manual lever	●	●	●	●

E Electrical connections					
Blank	DIN terminal box (Pg11)	●	●	●	●
L	DIN terminal box (Pg11) with lamp *1	●	●	●	●
F	DIN terminal box (G1/2)	●	●	●	●
E	Grommet lead wire	●	●	●	●
E1	Conduit lead wire (CTC19)	●	●	●	●
E2	Conduit lead wire (G1/2)	●	●	●	●
B1	Round terminal box (G3/4)	●	●	●	●
B	Round terminal box (G1/2)	●	●	●	●
BL	Round terminal box (G1/2)/with lamp *4	●	●	●	●
G	Round terminal box With gland (A-15a)	●	●	●	●
GL	Round terminal box With gland (A-15a)/with lamp *4	●	●	●	●

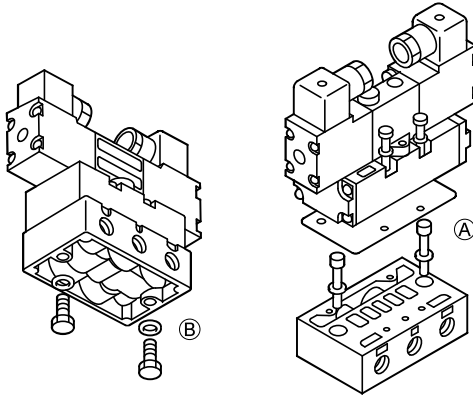
F Other options					
Blank	No option	●	●	●	●
K	External pilot *2	●	●	●	●
P	Installation feet (U bracket)	●	●	●	●
S	Surge suppressor (varistor) included *5	●	●	●	●
H	Check valve attached (only compatible with 3-position all ports closed)	●	●	●	●
N	Plug attached (for 3-port valve)	●	●	●	●
NC	3-way valve used plug assembly (C1 (A), E1 (R1) assembly)	●	●	●	●
NO	3-way valve used plug assembly (C2(B), E2(R2) assembly)	●	●	●	●

G Voltage					
AC100V	100 VAC	50/60 Hz	●	●	●
AC200V	200 VAC	50/60 Hz	●	●	●
DC12V	12 VDC		●	●	●
DC24V	24 VDC		●	●	●
AC110V	110 VAC	50/60 Hz	●	●	●
AC220V	220 VAC	50/60 Hz	●	●	●

* Other custom order products					
DC48V			●	●	●
DC100V			●	●	●
DC110V			●	●	●

Mounting method of 4F4 to 7 single units

● Mounting



	For B	For A
4F4	M8	M6
4F5	M8	M6
4F6	M10	M8
4F7	M12	M10

4GA/B
M4GA/B
MN4GA/B
4GA/B (mastr)
4GD/E
M4GD/E
MN4GD/E
4GA4/B4
MN3E MN4E
W4GA/B2
W4GB4
4TB
4L2-4/ LMF0
MN3S0 MN4S0
4SA/B0
4KA/B
4KA/B (mastr)
4F
4F (mastr)
PV5G GMF
PV5 GMF
PV5S-0
3QR 3QB
MV3QR
3MA/B0
3PA/B
P/M/B
NP/NAP/ NVP
4F*0EX
4F*0E
HMV HSV
2QV 3QV
SKH
PCD
Silencer
TotAirSys (Total Air)
TotAirSys (Gamma)
Ending

4F4/4F5 Series

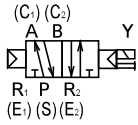
Single valve; sub-plate piping

Internal structure and parts list

4GA/B
M4GA/B
MN4GA/B
4GA/B (mastr)
4GD/E
M4GD/E
MN4GD/E
4GA4/B4
MN3E
MN4E
W4GA/B2
W4GB4
4TB
4L2-4/
LMF0
MN3S0
MN4S0
4SA/B0
4KA/B
4KA/B (mastr)
4F
4F (mastr)
PV5G
GMF
PV5
GMF
PV5S-0
3QR
3QB
MV3QR
3MA/B0
3PA/B
P/M/B
NP/NAP/
NVP
4F*0EX
4F*0E
HNV
HSV
2QV
3QV
SKH
PCD
Silencer
TotAirSys
(Total Air)
TotAirSys
(Gamma)
Ending

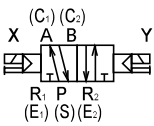
4F410/4F510

● 2-position single



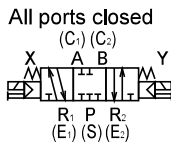
4F420/4F520

● 2-position double



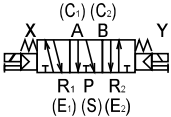
4F430/4F530

● 3-position



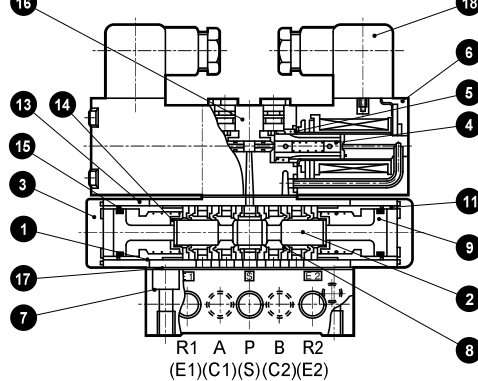
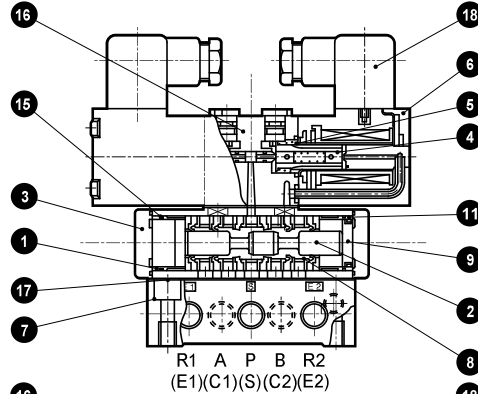
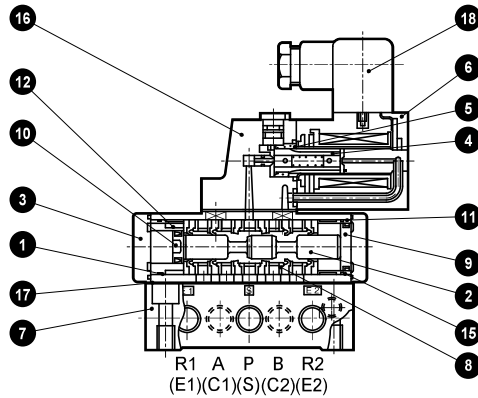
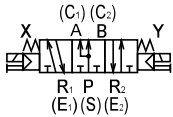
4F440/4F540

A/B/R connection



4F450/4F550

P/A/B connection



Main parts list

No.	Part name	Material	Repair parts list				
			No./part name	8	9	10	6
1	Body	Aluminum die-casting	4F410	8	9	10	6
2	Valving element (spool)	Aluminum	4F420	8	9	10	6
3	Cap	Aluminum die-casting	4F430	8	9	10	6
4	Plunger	-	4F440	8	9	10	6
5	Plunger spring	-	4F450	8	9	10	6
6	Coil assembly	-	4F510	8	9	10	6
7	Sub-plate	Aluminum die-casting	4F520	8	9	10	6
8	Sealant assembly	-	4F530	8	9	10	6
9	Piston (A) assembly (large)	-	4F540	8	9	10	6
10	Piston (B) assembly (small)	-	4F550	8	9	10	6
11	Cylinder A (large)	Aluminum					
12	Cylinder B (small)	Aluminum					
13	Body block	Aluminum die-casting					
14	Spring base	Stainless steel					
15	O-ring	Nitrile rubber					
16	Pilot valve body assembly	-					
17	Sub-plate gasket	Nitrile rubber					
18	DIN terminal box	-					

Repair parts list

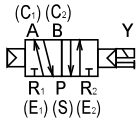
*: Repair parts are in stock as kits. It is not possible to purchase individual components. (The kits include sealant assembly and piston (A), (B) assembly. The coil assembly is not included.)

*: The plunger assembly is an attachment of the coil assembly.

Internal structure and parts list

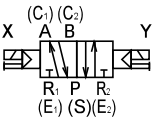
4F610/4F710

● 2-position single



4F620/4F720

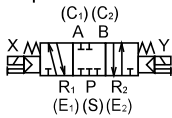
● 2-position double



4F630/4F730

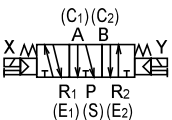
● 3-position

All ports closed



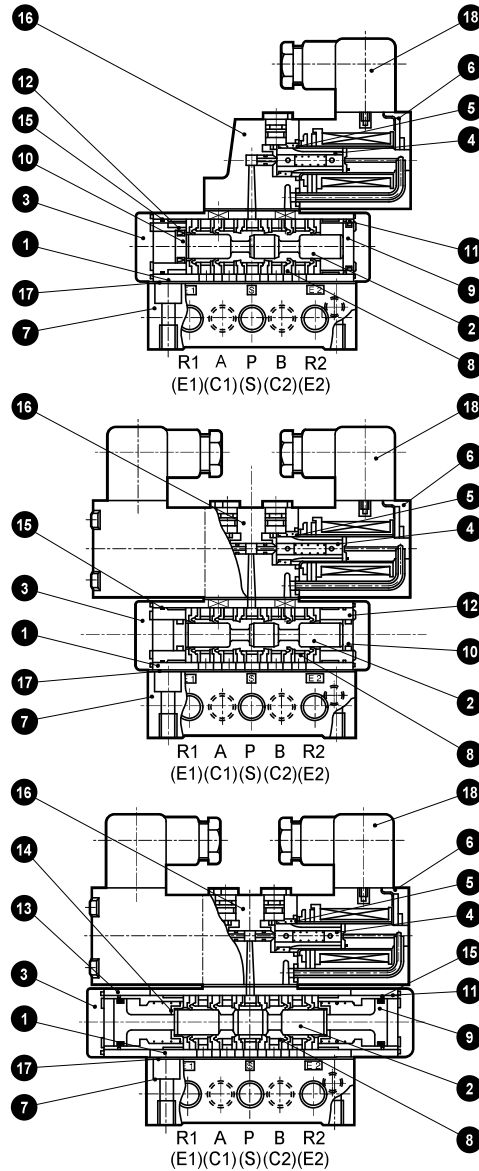
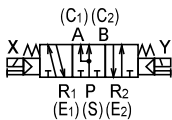
4F640/4F740

A/B/R connection



4F650/4F750

P/A/B connection



Main parts list

No.	Part name	Material	Repair parts list						
			No./part name	8	9	10	6		
1	Body	Aluminum die-casting	4F610	4F610-K	4F9-118	4F9-117	4F9-116	4F6*0-	
2	Valving element (spool)	Aluminum	4F620	4F620-K		-	-	Electrical	
3	Cap	Aluminum die-casting	4F630	4F630-K	4F9-119	4F9-122	-	connections-	
4	Plunger	-	4F640			4F9-121	-	COIL-Voltage	
5	Plunger spring	-	4F650	4F730-K	4F9-123	-	-	-	
6	Coil assembly	-	4F710			4F710-K	4F9-120	4F7*0-	Electrical
7	Sub-plate	Aluminum die-casting	4F720			4F720-K	-	-	connections-
8	Sealant assembly	-	4F730	4F750	-	-	COIL-Voltage		
9	Piston (A) assembly (large)	-	4F740		-	-	-		
10	Piston (B) assembly (small)	-	4F750		-	-	-		
11	Cylinder A (large)	Aluminum							
12	Cylinder B (small)	Aluminum							
13	Body block	Aluminum die-casting							
14	Spring base	Stainless steel							
15	O-ring	Nitrile rubber							
16	Pilot valve body assembly								
17	Sub-plate gasket	Nitrile rubber							
18	DIN terminal box	-							

*: Repair parts are in stock as kits. It is not possible to purchase individual components. (The kits include sealant assembly and piston (A), (B) assembly. The coil assembly is not included.)

*: The plunger assembly is an attachment of the coil assembly.

4GA/B
M4GA/B
MN4GA/B
4GA/B (mastr)
4GD/E
M4GD/E
MN4GD/E
4GA4/B4
MN3E
MN4E
W4GA/B2
W4GB4
4TB
4L2-4/ LMF0
MN3S0
MN4S0
4SA/B0
4KA/B
4KA/B (mastr)
4F
4F (mastr)
PV5G
GMF
PV5
GMF
PV5S-0
3QR
3QB
MV3QR
3MA/B0
3PA/B
P/M/B
NP/NAP/ NVP
4F*0EX
4F*0E
HMV
HSV
2QV
3QV
SKH
PCD
Silencer
TotAirSys (Total Air)
TotAirSys (Gamma)
Ending

4F4 Series

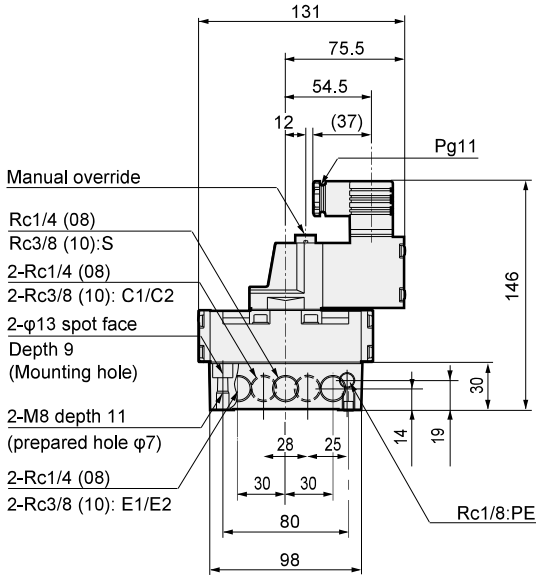
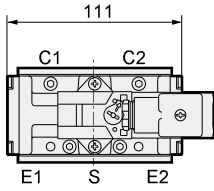
Single valve; sub-plate piping

Dimensions

- 4GA/B
- M4GA/B
- MN4GA/B
- 4GA/B (mastr)
- 4GD/E
- M4GD/E
- MN4GD/E
- 4GA4/B4
- MN3E
- MN4E
- W4GA/B2
- W4GB4
- 4TB
- 4L2-4/ LMF0
- MN3S0
- MN4S0
- 4SA/B0
- 4KA/B
- 4KA/B (mastr)
- 4F**
- 4F (mastr)
- PV5G
- GMF
- PV5
- GMF
- PV5S-0
- 3QR
- 3QB
- MV3QR
- 3MA/B0
- 3PA/B
- P/M/B
- NP/NAP/ NVP
- 4F*0EX
- 4F*0E
- HMV
- HSV
- 2QV
- 3QV
- SKH
- PCD
- Silencer
- TotAirSys (Total Air)
- TotAirSys (Gamma)
- Ending

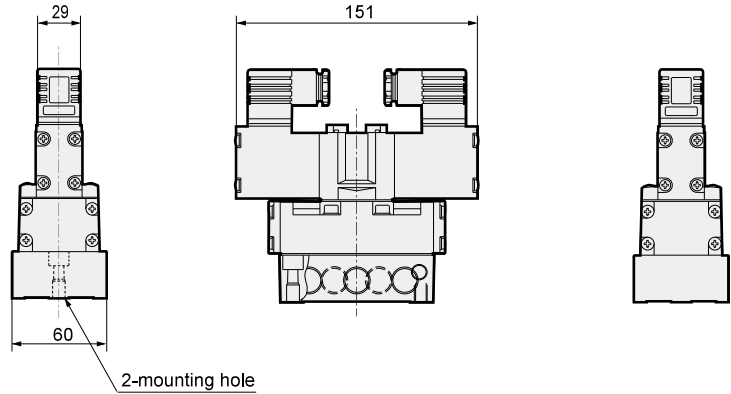
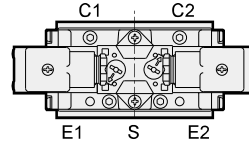
4F410

● 2-position single: DIN terminal box
DIN terminal box/with light (L)



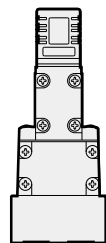
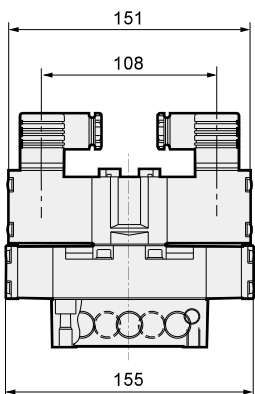
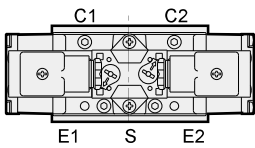
4F420

● 2-position double solenoid: DIN terminal box
DIN terminal box/with light (L)

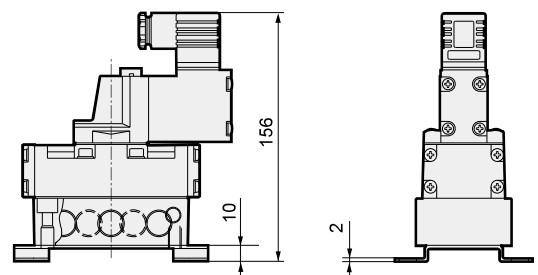
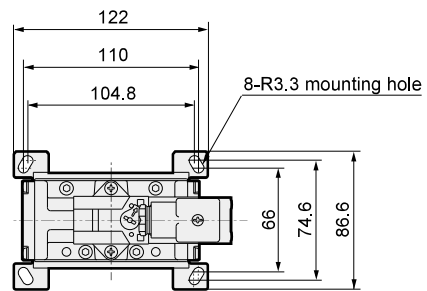


4F440 ³/₅

● 3-position: DIN terminal box
DIN terminal box/with light (L)



● Installation feet: (P)
Material: Hot-rolled steel plates
Zinc plated

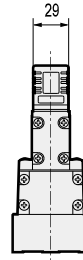
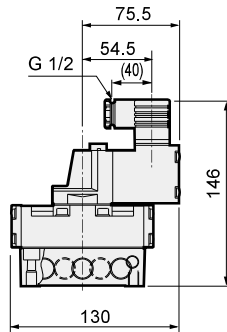


* Refer to page 1412 for details about check valves.

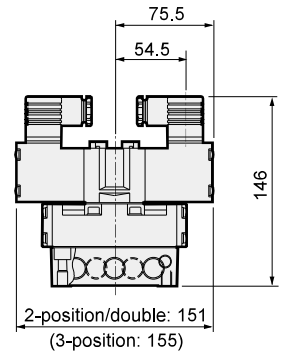
Dimensions

- DIN terminal box: (F)

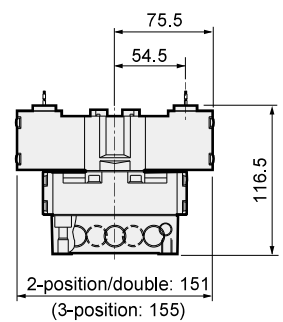
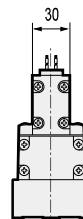
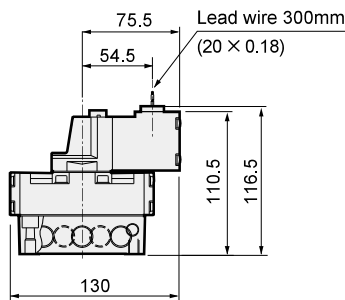
② 2-position single



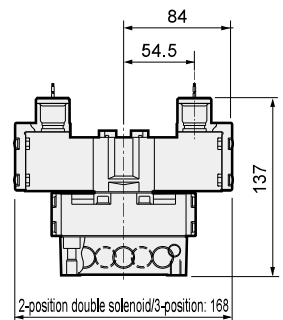
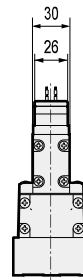
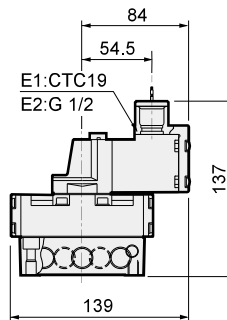
② 2-position double solenoid/3-position
* 2-position double solenoid shown in image.



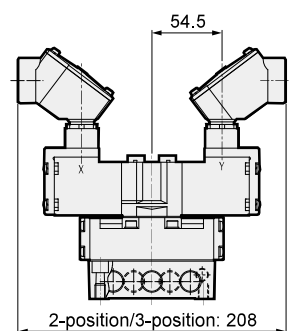
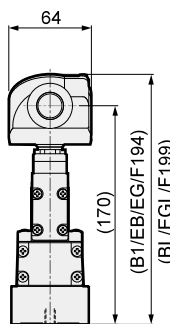
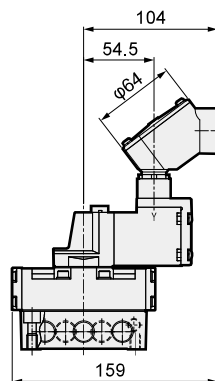
- Grommet lead wire: (E)



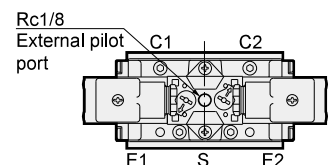
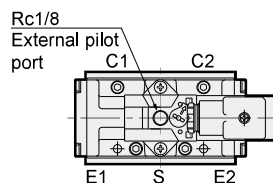
- Conduit lead wire: (E1/E2)



- Round terminal box: (B1/B/BL/G/GL)



- External pilot port: (K)



4GA/B
M4GA/B
MN4GA/B
4GA/B (mastr)
4GD/E
M4GD/E
MN4GD/E
4GA4/B4
MN3E
MN4E
W4GA/B2
W4GB4
4TB
4L2-4/LMF0
MN3S0
MN4S0
4SA/B0
4KA/B
4KA/B (mastr)
4F
4F (mastr)
PV5G
GMF
PV5
GMF
PV5S-0
3QR
3QB
MV3QR
3MA/B0
3PA/B
P/M/B
NP/NAP/NVP
4F*0EX
4F*0E
HMV
HSV
2QV
3QV
SKH
PCD
Silencer
TotAirSys (Total Air)
TotAirSys (Gamma)
Ending

4F5 Series

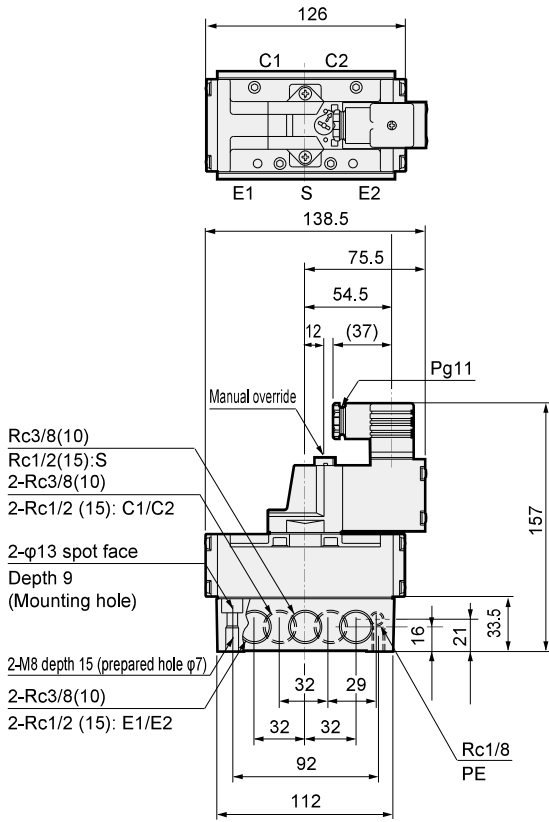
Single valve; sub-plate piping

Dimensions

4GA/B
M4GA/B
MN4GA/B
4GA/B (mastr)
4GD/E
M4GD/E
MN4GD/E
4GA4/B4
MN3E
MN4E
W4GA/B2
W4GB4
4TB
4L2-4/ LMF0
MN3S0
MN4S0
4SA/B0
4KA/B
4KA/B (mastr)
4F
4F (mastr)
PV5G
GMF
PV5
GMF
PV5S-0
3QR
3QB
MV3QR
3MA/B0
3PA/B
P/M/B
NP/NAP/ NVP
4F*0EX
4F*0E
HMV
HSV
2QV
3QV
SKH
PCD
Silencer
TotAirSys (Total Air)
TotAirSys (Gamma)
Ending

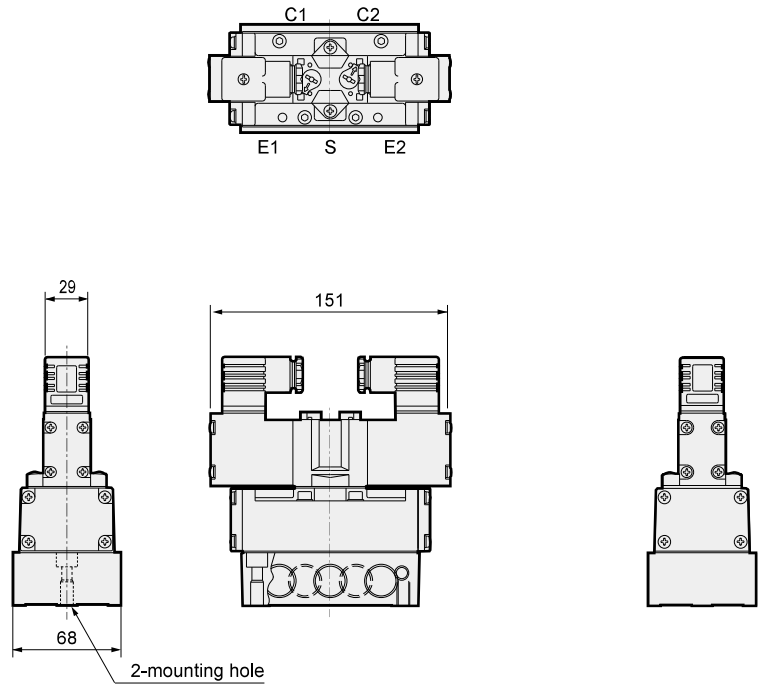
4F510

- 2-position single: DIN terminal box
- DIN terminal box/with light (L)



4F520

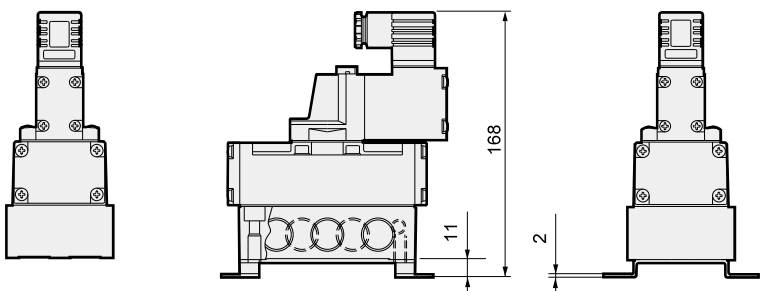
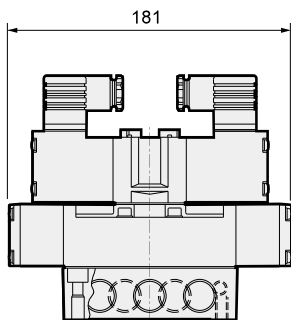
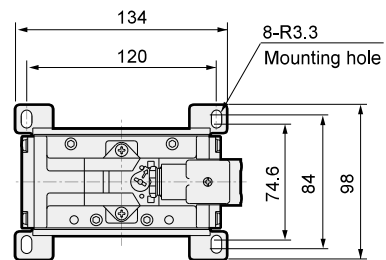
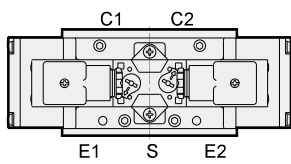
- 2-position double solenoid: DIN terminal box
- DIN terminal box/with light (L)



4F540

- 3-position: DIN terminal box
- DIN terminal box/with light (L)

- Installation feet: (P)
- Material: Hot-rolled steel plates
- Zinc plated

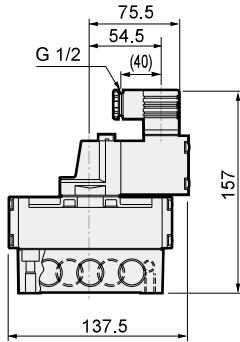


* Refer to page 1412 for details about check valves.

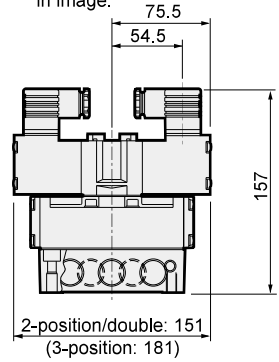
Dimensions

- DIN terminal box: (F)

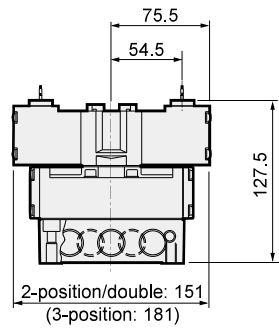
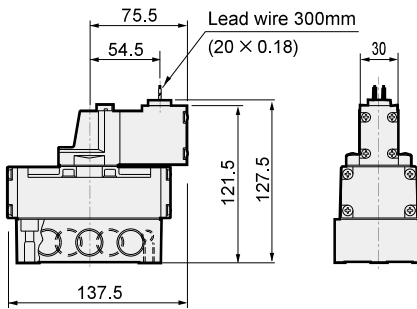
① 2-position single



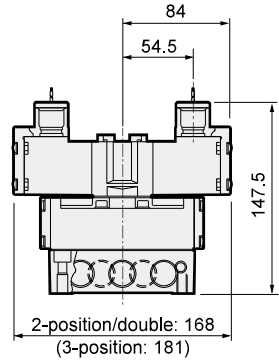
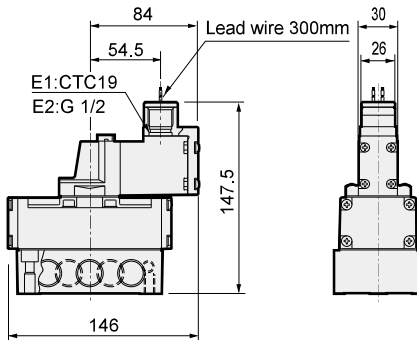
② 2-position double solenoid/3-position
* 2-position double solenoid shown in image.



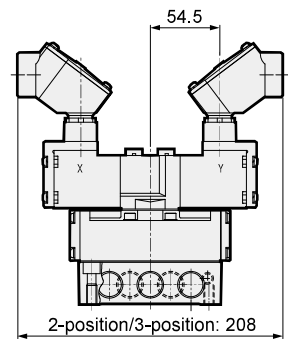
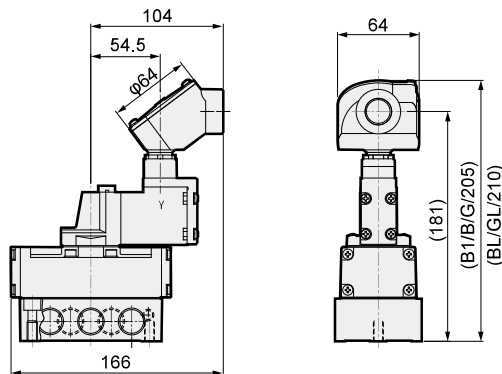
- Grommet lead wire: (E)



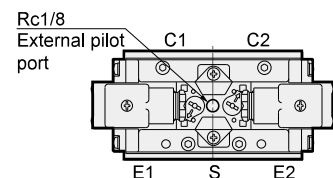
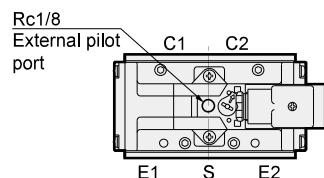
- Conduit lead wire: (E1/E2)



- Round terminal box: (B1/B/BL/G/GL)



- External pilot port: (K)



4GA/B
M4GA/B
MN4GA/B
4GA/B (mastr)
4GD/E
M4GD/E
MN4GD/E
4GA4/B4
MN3E
MN4E
W4GA/B2
W4GB4
4TB
4L2-4/ LMF0
MN3S0
MN4S0
4SA/B0
4KA/B
4KA/B (mastr)
4F
4F (mastr)
PV5G
GMF
PV5
GMF
PV5S-0
3QR
3QB
MV3QR
3MA/B0
3PA/B
P/M/B
NP/NAP/ NVP
4F*0EX
4F*0E
HMV
HSV
2QV
3QV
SKH
PCD
Silencer
TotAirSys (Total Air)
TotAirSys (Gamma)
Ending

4F6 Series

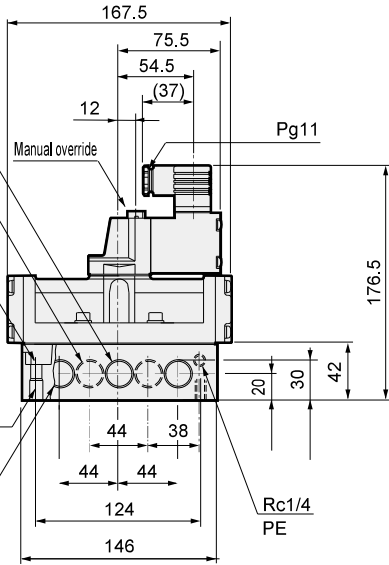
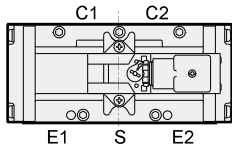
Single valve; sub-plate piping

Dimensions

- 4GA/B
- M4GA/B
- MN4GA/B
- 4GA/B (mastr)
- 4GD/E
- M4GD/E
- MN4GD/E
- 4GA4/B4
- MN3E
- MN4E
- W4GA/B2
- W4GB4
- 4TB
- 4L2-4/LMF0
- MN3S0
- MN4S0
- 4SA/B0
- 4KA/B
- 4KA/B (mastr)
- 4F**
- 4F (mastr)
- PV5G
- GMF
- PV5
- GMF
- PV5S-0
- 3QR
- 3QB
- MV3QR
- 3MA/B0
- 3PA/B
- P/M/B
- NP/NAP/NVP
- 4F*0EX
- 4F*0E
- HMV
- HSV
- 2QV
- 3QV
- SKH
- PCD
- Silencer
- TotAirSys (Total Air)
- TotAirSys (Gamma)
- Ending

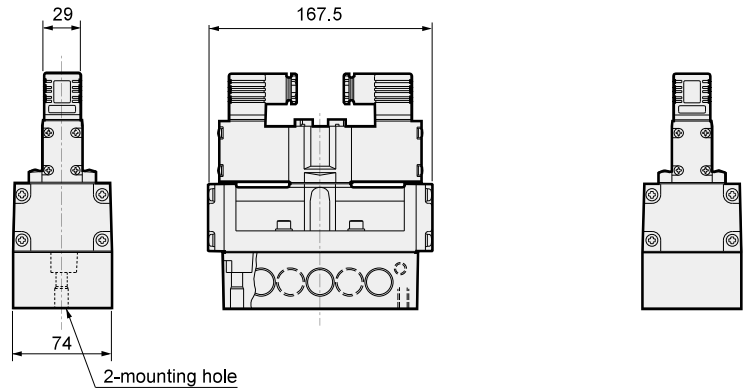
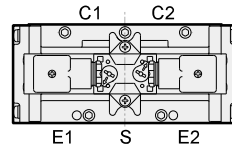
4F610

- 2-position single: DIN terminal box
- DIN terminal box/with light (L)



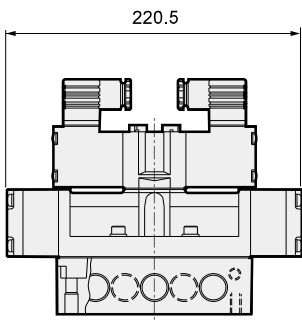
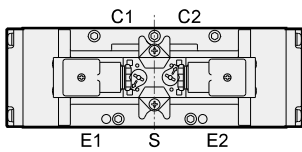
4F620

- 2-position double solenoid: DIN terminal box
- DIN terminal box/with light (L)

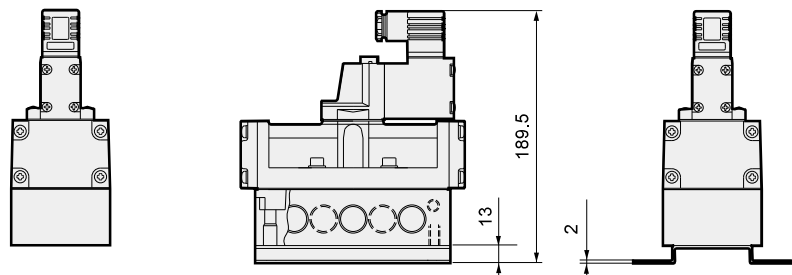
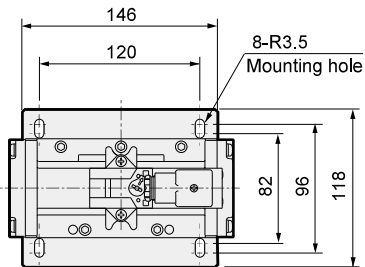


4F640 ³/₅

- 3-position: DIN terminal box
- DIN terminal box/with light (L)



- Installation feet: (P)
- Material: Cold-rolled steel plates
- Zinc plated

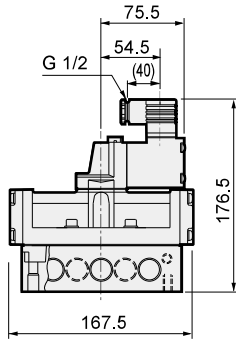


* Refer to page 1412 for details about check valves.

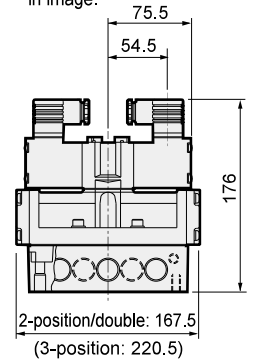
Dimensions

- DIN terminal box: (F)

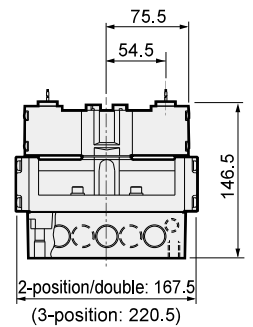
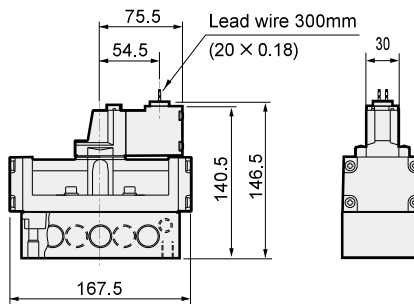
⬇ 2-position single



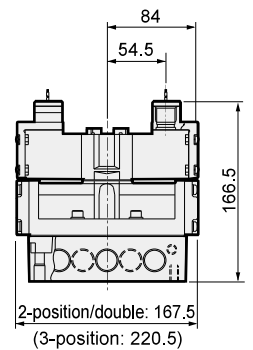
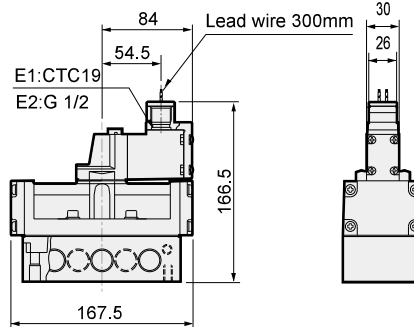
⬇ 2-position double solenoid/3-position
* 2-position double solenoid shown in image.



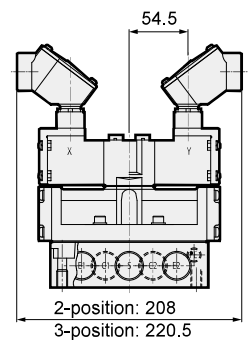
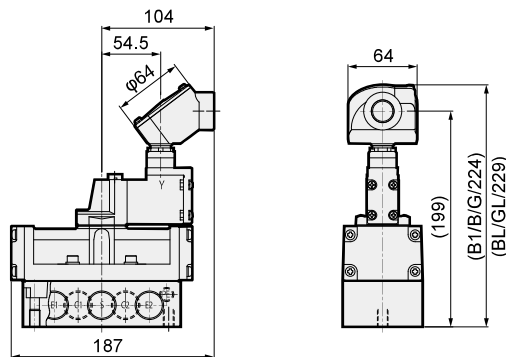
- Grommet lead wire: (E)



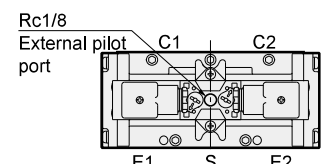
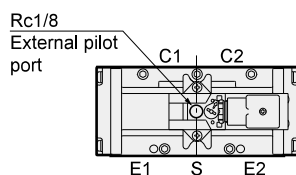
- Conduit lead wire: (E1/E2)



- Round terminal box: (B1/B/BL/G/GL)



- External pilot port: (K)



4GA/B
M4GA/B
MN4GA/B
4GA/B (mastr)
4GD/E
M4GD/E
MN4GD/E
4GA4/B4
MN3E
MN4E
W4GA/B2
W4GB4
4TB
4L2-4/LMF0
MN3S0
MN4S0
4SA/B0
4KA/B
4KA/B (mastr)
4F
4F (mastr)
PV5G
GMF
PV5
GMF
PV5S-0
3QR
3QB
MV3QR
3MA/B0
3PA/B
P/M/B
NP/NAP/NVP
4F*0EX
4F*0E
HMV
HSV
2QV
3QV
SKH
PCD
Silencer
TotAirSys (Total Air)
TotAirSys (Gamma)
Ending

4F7 Series

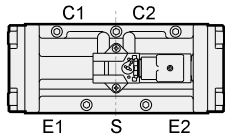
Single valve; sub-plate piping

Dimensions

- 4GA/B
- M4GA/B
- MN4GA/B
- 4GA/B (mastr)
- 4GD/E
- M4GD/E
- MN4GD/E
- 4GA4/B4
- MN3E
- MN4E
- W4GA/B2
- W4GB4
- 4TB
- 4L2-4/LMF0
- MN3S0
- MN4S0
- 4SA/B0
- 4KA/B
- 4KA/B (mastr)
- 4F**
- 4F (mastr)
- PV5G
- GMF
- PV5
- GMF
- PV5S-0
- 3QR
- 3QB
- MV3QR
- 3MA/B0
- 3PA/B
- P/M/B
- NP/NAP/NVP
- 4F*0EX
- 4F*0E
- HMV
- HSV
- 2QV
- 3QV
- SKH
- PCD
- Silencer
- TotAirSys (Total Air)
- TotAirSys (Gamma)
- Ending

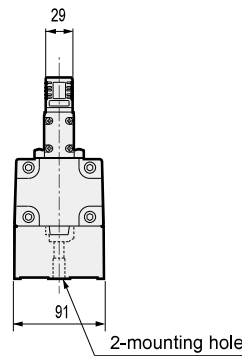
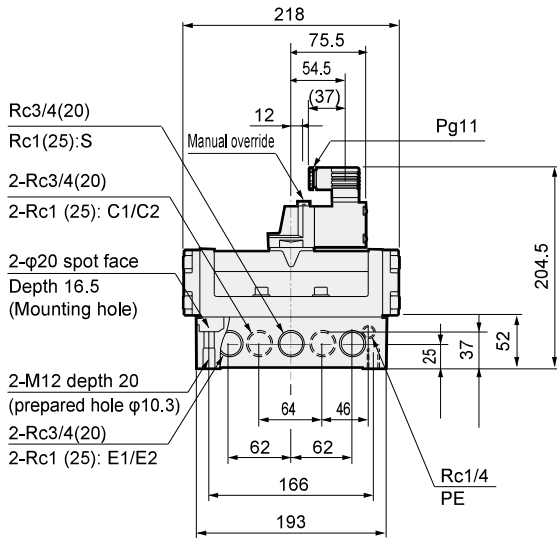
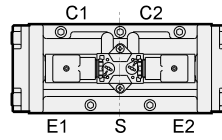
4F710

- 2-position single: DIN terminal box
- DIN terminal box/with light (L)



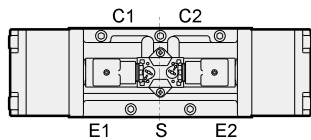
4F720

- 2-position double solenoid: DIN terminal box
- DIN terminal box/with light (L)

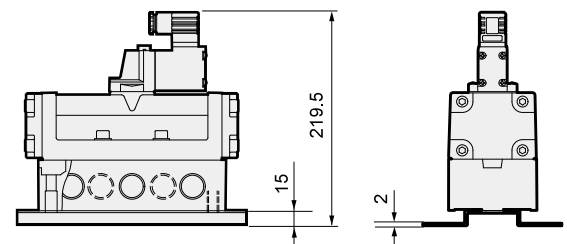
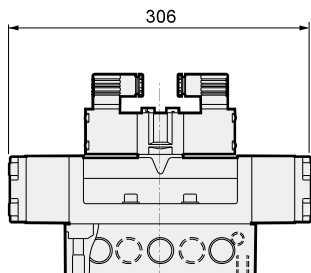
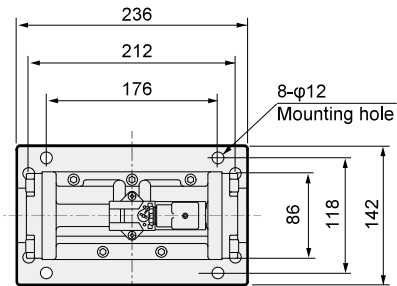


3 4F740

- 3-position: DIN terminal box
- DIN terminal box/with light (L)



- Installation feet: (P)
- Material: Cold-rolled steel plates
- Zinc plated



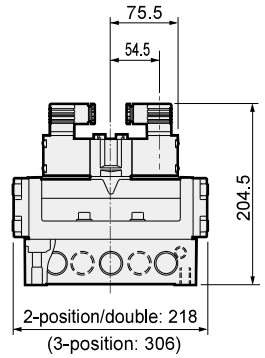
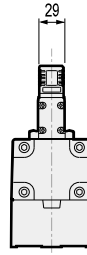
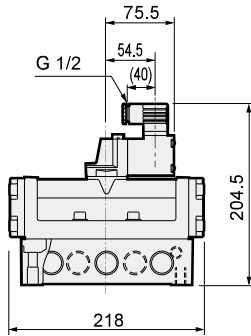
* Refer to page 1412 for details about check valves.

Dimensions

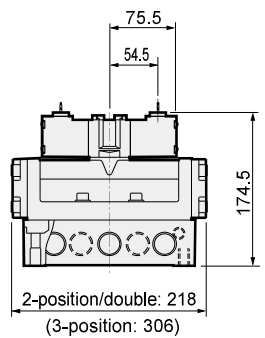
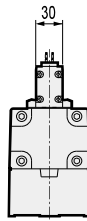
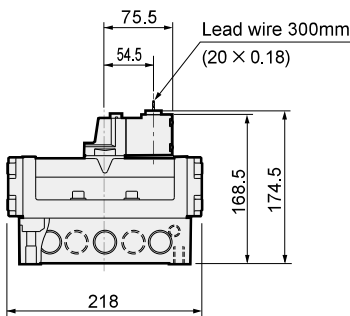
⬇ 2-position single

⬇ 2-position double solenoid/3-position
* 2-position double solenoid shown in image.

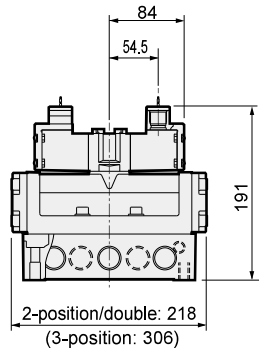
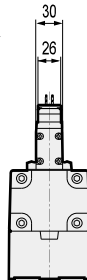
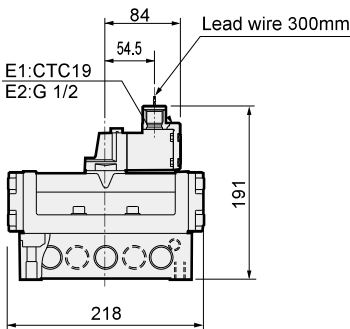
- DIN terminal box: (F)



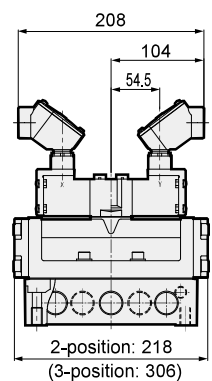
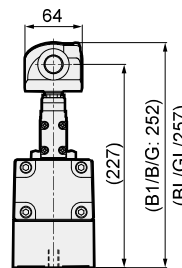
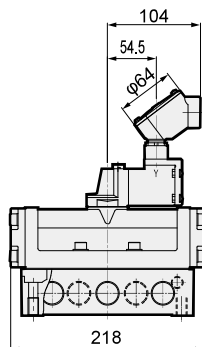
- Grommet lead wire: (E)



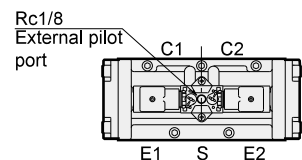
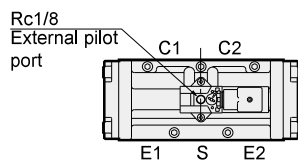
- Conduit lead wire: (E1/E2)



- Round terminal box: (B1/B/BL/G/GL)



- External pilot port: (K)



4GA/B
M4GA/B
MN4GA/B
4GA/B (mastr)
4GD/E
M4GD/E
MN4GD/E
4GA4/B4
MN3E
MN4E
W4GA/B2
W4GB4
4TB
4L2-4/LMF0
MN3S0
MN4S0
4SA/B0
4KA/B
4KA/B (mastr)
4F
4F (mastr)
PV5G
GMF
PV5
GMF
PV5S-0
3QR
3QB
MV3QR
3MA/B0
3PA/B
P/M/B
NP/NAP/NVP
4F*0EX
4F*0E
HMV
HSV
2QV
3QV
SKH
PCD
Silencer
TotAirSys (Total Air)
TotAirSys (Gamma)
Ending