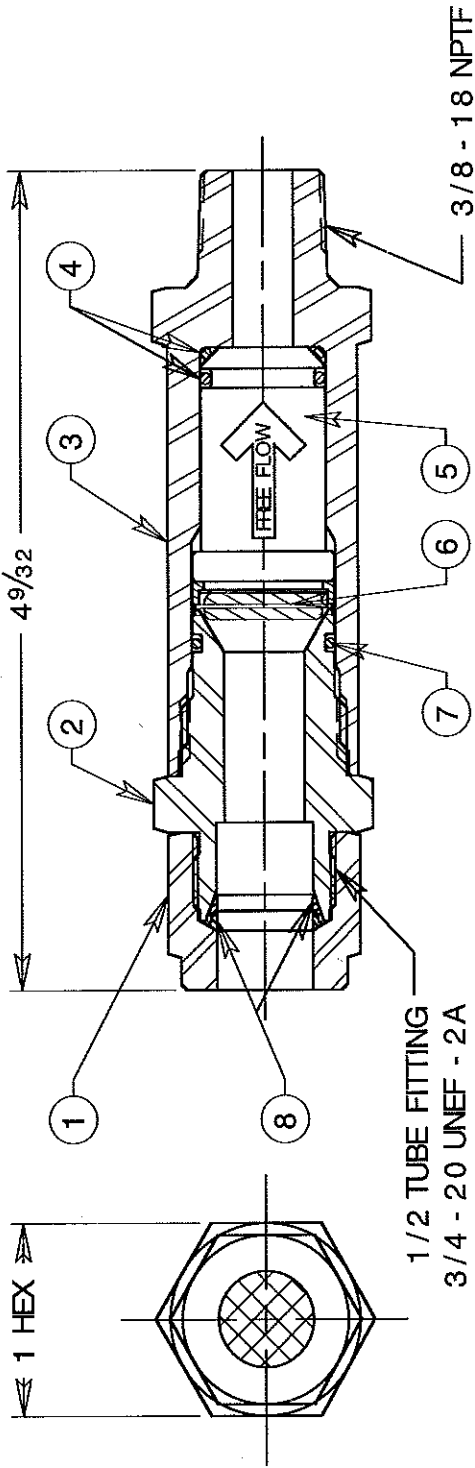


REV NO.	DATE	CHANGE	BY	APVD
D	04/22/94	ECN-308; REDRAWN; D ADDED AISI (4 PLACES)	BW	FS



NOTES:
 1) CRACK PRESSURE 65 P.S.I.G. ± 10%

IMPORTANT NOTICE

THIS DOCUMENT CONTAINS PROPRIETARY INFORMATION WHICH IS THE PROPERTY OF KEPNER PRODUCTS COMPANY AND WHICH RELATES DIRECTLY OR INDIRECTLY TO PATENTS GRANTED OR PENDING. ANY REPRODUCTION OR PARTIAL COPYING OF THIS MATERIAL IS PROHIBITED. THIS DOCUMENT HAS BEEN ISSUED FOR REFERENCE ONLY.



KEPNER PRODUCTS COMPANY
 995 N. ELLSWORTH ; VILLA PARK, IL

MATERIAL	SEE ABOVE	DRAWN	BW	DATE	04-22-94
FINISH	SEE ABOVE	APPROVED	FS	CHECKED	

TITLE
**COMBINATION FILTER
 RELIEF/CHECK VALVE**

SCALE	DO NOT SCALE DWG	DRAWING NUMBER	1491	REV	D
-------	------------------	----------------	------	-----	---

ITEM	COMPONENT PART NO.	NO. REQ.	PART DESCRIPTION	MATERIAL	FINISH
1	1491C-110	1	NUT	STEEL	CAD. PLATE
2	1491D-101	1	CAP	AISI 303 SS.	NONE
3	1491D-100	1	BODY	AISI 303 SS.	NONE
4	1107-181	2	O-RING	VITON	NONE
5	1492	1	NONREVERSIBLE CARB. VALVE	AISI 303 SS.	NONE
6	1491D-111	1	FILTER	AISI 303 SS.	NONE
7	1491-181	1	O-RING	VITON	NONE
8	1491C-109	1	FERRULES	STEEL	BLACK OXIDE