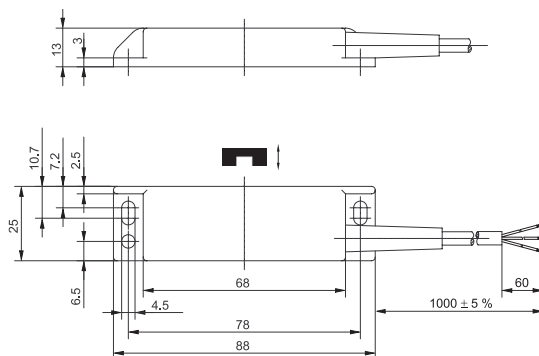


## Magnetic Switch Series MA-42

Description **MAK-4212-A-1**

Article number **6314242713**

### Wiring diagram



### Identifying characteristics in accordance with EN 60947-5-2 and EN 62246-1

Electrical data		
Assured operating distance	$S_a$	19 mm
Switching element function		N.O.
Reed contact	max. switching voltage	30 V AC / 60 V DC
	max. switching current	2 A
	max. switching capacity	100 VA
	mechanical lifetime	$3 \times 10^8$ switchings
Repeat accuracy	R	$\pm 0,1$ mm, under same geometrical conditions at the same temperature
Release point		47 mm
Shock		50 g (11 ms, ½ Sine wave)
Vibration		35 g (10-1000 Hz)
Corresponding magnet		TK-42

Mechanical data	
Enclosure	PA6.6, black; encapsulated reed contact
Ambient air temperature	-5 °C to +70 °C
Type of protection	IP 67 acc. to IEC 529, EN 60529
Termination type	cable 2 x AWG20, PVC -outer jacket black
Assembly position	optional (assembly on iron means reduction of switch distance)

EU Conformity
acc. to directive 2011/65/EU (RoHS)

<b>Approvals</b>	UL
	UL Listed, Ind. Cont. Eq. / Class 2 Power source

<b>Notes</b>
Pay attention to the contact protection when switching inductive loads.