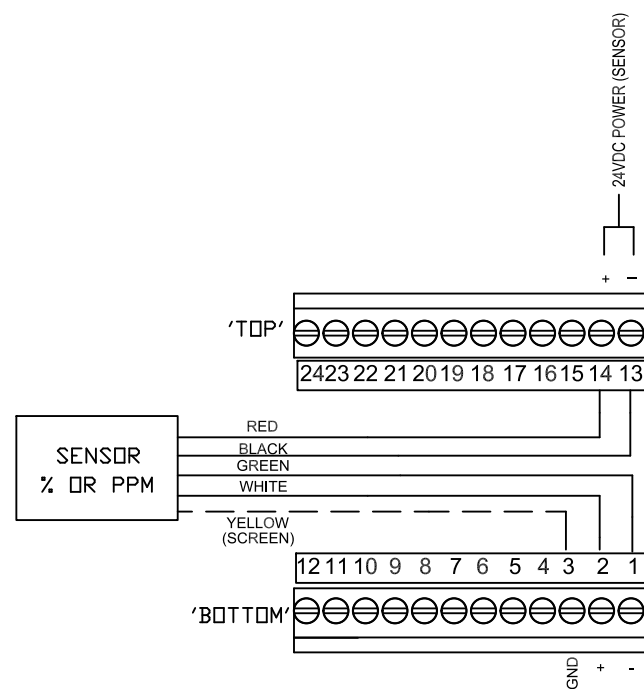
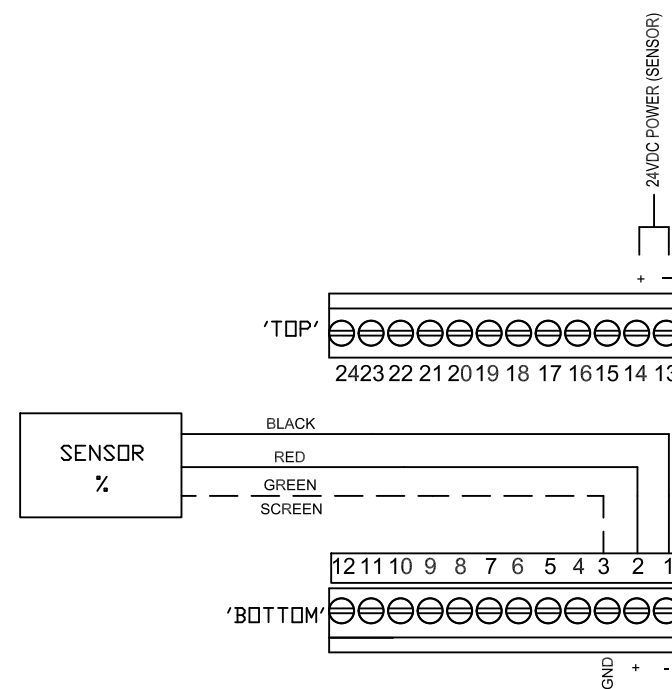


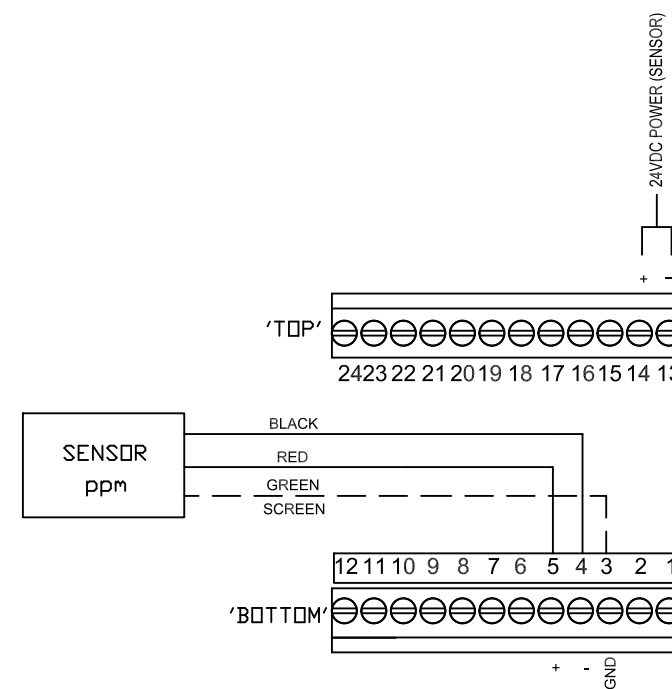
MICROX PANEL MOUNT ANALYSER



ZIRCONIA SENSOR CONNECTION OPTION



ELECTROCHEMICAL % SENSOR CONNECTION OPTION



ELECTROCHEMICAL ppm SENSOR CONNECTION OPTION

ALL DIMENSIONS IN MM
THIRD ANGLE PROJECTION

1	SENSOR CONNECTION NOTES AMENDED	MW	MM	MM
2	EXT. 24VDC NOTE ADDED	MW	MM	MM
REV.	DESCRIPTION	DRN.	CHD.	APP.



TITLE: MICROX PANEL MOUNT ANALYSER
GENERAL DETAIL DRAWING

S.O. NO.	NOT VALID	DRAWING NUMBER	DRN.	CHD.	APP.	REV.
Q.No.	NOT VALID	E343	MW	DB	DB	2
SCALE	N.T.S.					
DATE	06-10-2016	PAGE 1	OF 1			