

MACP302 series

AIR UNITS (F.R.L.UNIT)



mindman

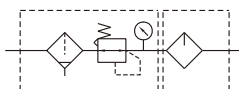
Specification

| Model | MACP302 | | |
|------------------------------|--|----------|-----|
| Components | MAFR302, MAL302 | | |
| Bore No. | 8A | 10A | 15A |
| Port size | 1/4 | 3/8 | 1/2 |
| Medium | Air | | |
| Operating pressure range (※) | 0.05~1 MPa | | |
| Proof pressure | 1.5 MPa | | |
| Regulated pressure range | 0.05~0.85 MPa | | |
| Ambient temperature | -5~+60°C (No freezing) | | |
| Filter element | Standard: 5 μm Option: 40 μm | | |
| Lubricating oil capacity | 65c.c | | |
| Min. Flow for oil drip | 50 ℓ/min | 60 ℓ/min | |
| Recommended lubricating oil | Turbine oil ISO-VG32 | | |
| Attachment | Pressure gauge (PG-20), T-type bracket | | |
| Weight | 845 g | | |



Option: MP41

Symbol



※ 1. Standard unit contains semi-auto-drain function when operating pressure below 0.05 MPa.

※ 2. Choose auto-drain FMRF300, the pressure range is 0.15 ~ 1 MPa.

Order example

MACP302 - 8A - D - E1 - □ - T8 - □

MODEL

BORE SIZE

8A: 1/4
10A: 3/8
15A: 1/2

PRESSURE SWITCH

E1: MP41P-02
E2: MP41P-02-QD
E3: MP41P-02-J
E4: MP41P-02-QD-J
E5: MP41P-04
E6: MP41P-04-QD
E7: MP41P-04-J
E8: MP41P-04-QD-J

FILTER ELEMENT

Blank: 5 μm
40u: 40 μm

Module mounting bracket

T8: 1/4
T10: 3/8
T15: 1/2

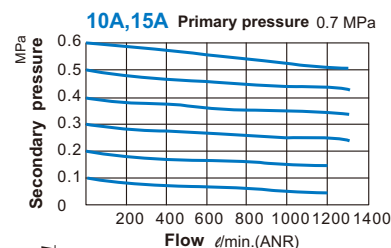
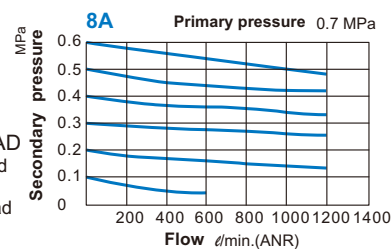
PORT THREAD

Blank: Rc thread
G: G thread
NPT: NPT thread

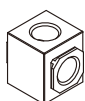
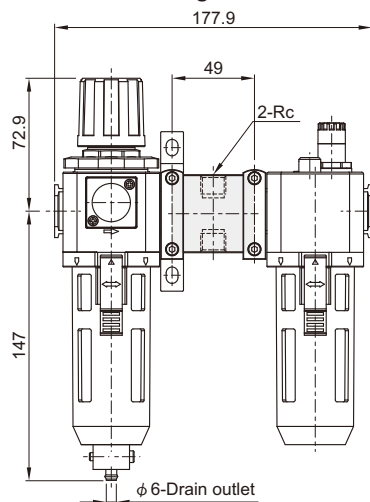
Blank: Standard type
C: External pressure gauge (PG-40)
D: Auto drain valve (FMRF300)
N: Nylon bowl

※ Refer to page E-13 for the option of digital pressure switch MP41.

Flow feature

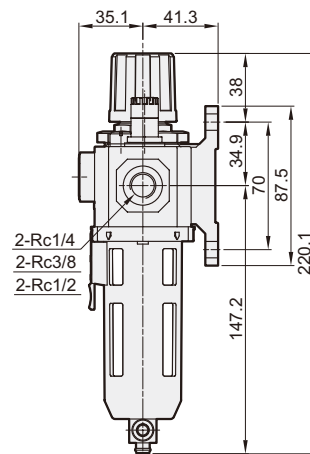
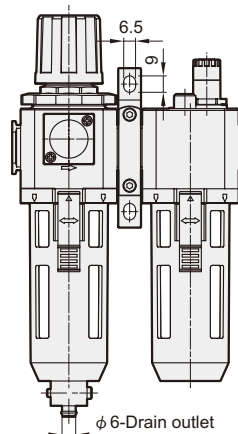
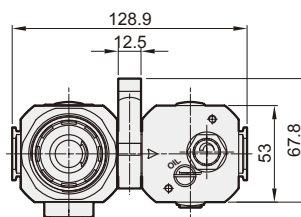
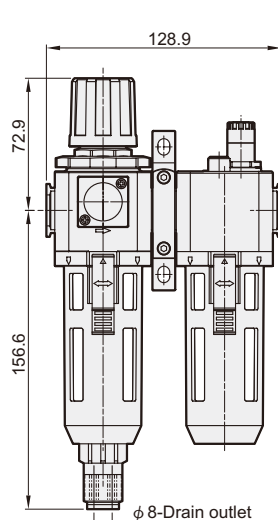


MACP302-T* Module mounting bracket



| | Rc |
|-----|-------|
| T8 | Rc1/4 |
| T10 | Rc3/8 |
| T15 | Rc1/2 |

MACP302-D Auto drain valve



mindman

MACP302-HT With shutoff valve

AIR UNITS (F.R.L.UNIT)



Order example

MACP302 – 8A – D – E1 – □ – HT – □

MODEL

BORE SIZE

8A: 1/4
10A: 3/8
15A: 1/2

Blank: Standard type
C: External pressure gauge (PG-40)
D: Auto drain valve (FMRF300)
N: Nylon bowl

PRESSURE SWITCH

E1: MP41P-02
E2: MP41P-02-QD
E3: MP41P-02-J
E4: MP41P-02-QD-J
E5: MP41P-04
E6: MP41P-04-QD
E7: MP41P-04-J
E8: MP41P-04-QD-J

※ Refer to page E-13 for the option of digital pressure switch MP41.

FILTER ELEMENT

Blank: 5 μ m
40u: 40 μ m

SHUTOFF VALVE

HT: MVHT-302-3H

PORT THREAD

Blank: Rc thread
G: G thread
NPT: NPT thread

