

H100BL Signal Horn & LED Beacon

Rated for continuous use the H100 series is a compact, high output signal suitable for a variety of installations. In addition to the 'buzzer' type sound the unit features a further two alarm sounds.

The H100BL incorporates the H100B with a high output permanent LED array. It is available in five L.E.D colours and operating voltages from 10V dc to 230V ac.

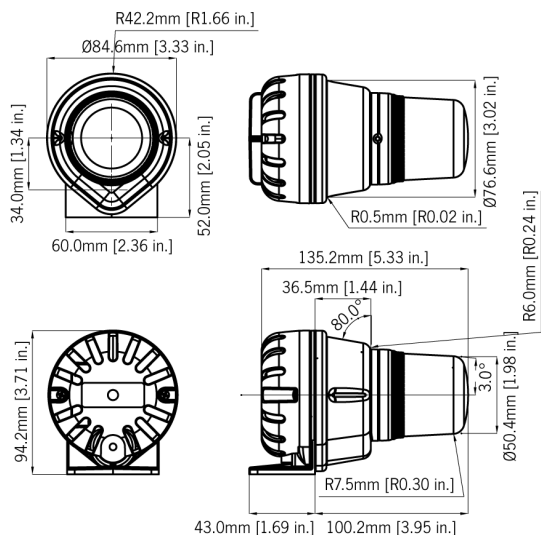
Features

- Volume control.
- Stainless steel fixings.
- Bayonet fixing lens.
- Anti-tamper locking screw.

Approvals

- GOST-R approved: POCC GB-JB05-H00144.





Specification

| | |
|------------------------------|---|
| Horn: | |
| No. of tones: | 3 |
| Output: | 100 dB(A) @ 1m |
| Beacon: | |
| Light source: | 9 x High power L.E.D.'s |
| Function: | Permanent |
| Peak/Effective Intensity cd: | 5.5 cd* - measured ref. to I.E.S. |
| Lens colours: | Amber, Blue, Clear (White L.E.D), Green, Red & Yellow |
| Lens type: | Prismatic (standard) or plain |
| General: | |
| Dimensions: | 135.2 × 94.2mm |
| Mounting: | Surface mount |
| Entries: | 1 × 5-7mm push through grommet |
| Ingress protection: | IP65 |
| Housing material: | High impact ABS (UL94V0 & 5VA) |
| Lens material: | High impact PC (UL94V0 f1) |
| Terminals: | 0.5 to 1.5mm ² |
| Operating temp: | -25 to +50°C [-13° to +122°F] |
| Storage temp: | -40 to +70°C [-40° to +158°F] |
| Relative humidity: | 90% at 20°C [68°F] |
| Weight: | 184g/0.40lbs |

*SPL data +/-3dB(A). Measured at optimum voltage.

*Candela measurements representative of performance with amber lens at optimum voltage.

Part Codes

|_._Version: |_.Part code: | |12-30V dc |H100BL030G/* | |90-260V ac/dc |H100BL230G/* | | * = L.E.D. colour: |A: Amber, B: Blue, W: White (Clear lens), G: Green, R: Red , Y: Yellow |

Horn Current Consumption

| Version: | Voltage: | Current: |
|------------|-----------------|----------|
| 12-30V dc | 12V dc | 10mA |
| 12-30V dc | 24V dc | 24mA |
| 40-260V ac | 115V ac 50/60Hz | 19mA |
| 40-260V ac | 230V ac 50/60Hz | 10mA |

Beacon Current Consumption

| Version: | Voltage: | Current: |
|------------|-----------------|----------|
| 12-30V dc | 12V dc | 74mA |
| 12-30V dc | 24V dc | 80mA |
| 40-260V ac | 115V ac 50/60Hz | 119mA |
| 40-260V ac | 230V ac 50/60Hz | 32mA |

Tone table

S 1 Description

| | |
|-----|---|
| T 2 | Simulated buzzer sound |
| T 3 | 1200/500Hz @ 1Hz - DIN / PFEER P.T.A.P. |