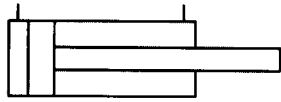
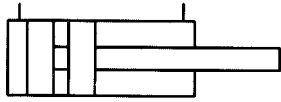


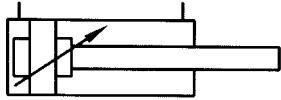
Standard cylinder double acting, with or without cushioning



DUJ



DUMJ



DUDJ

DUJ

DUDJ with cushioning

DUHJ high temperature

DUMJ magnetic piston

DUVJ enforced piston rod



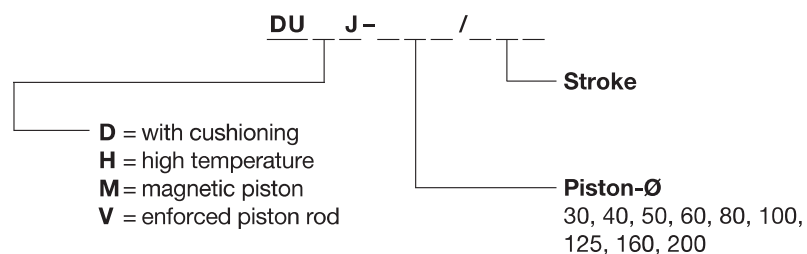
Technical characteristics

General characteristics	
Design	Flange
Piston-Ø	30 ... 200 mm
Stroke	50 ... 500 mm *
Port size	G 1/4", G 1/2" starting piston-Ø 100 mm
Fixing	by accessories
Mounting position	any
Temperature range	-20 °C ... +80 °C (DUHJ up to +120 °C)
Materials used	Head and cap: aluminum Tube: hard anodized aluminum Piston rod: stainless steel Seals: NBR
Pneumatic characteristics	
Medium	Compressed air, filtered max. 50 µm
Operating pressure	0,2 ... 10 bar

* larger strokes up to 1000 mm with enforced piston rod on request.

Standard strokes
50, 75, 100, 150, 200, 250, 300, 350, 400, 450, 500, 600, 700, 800

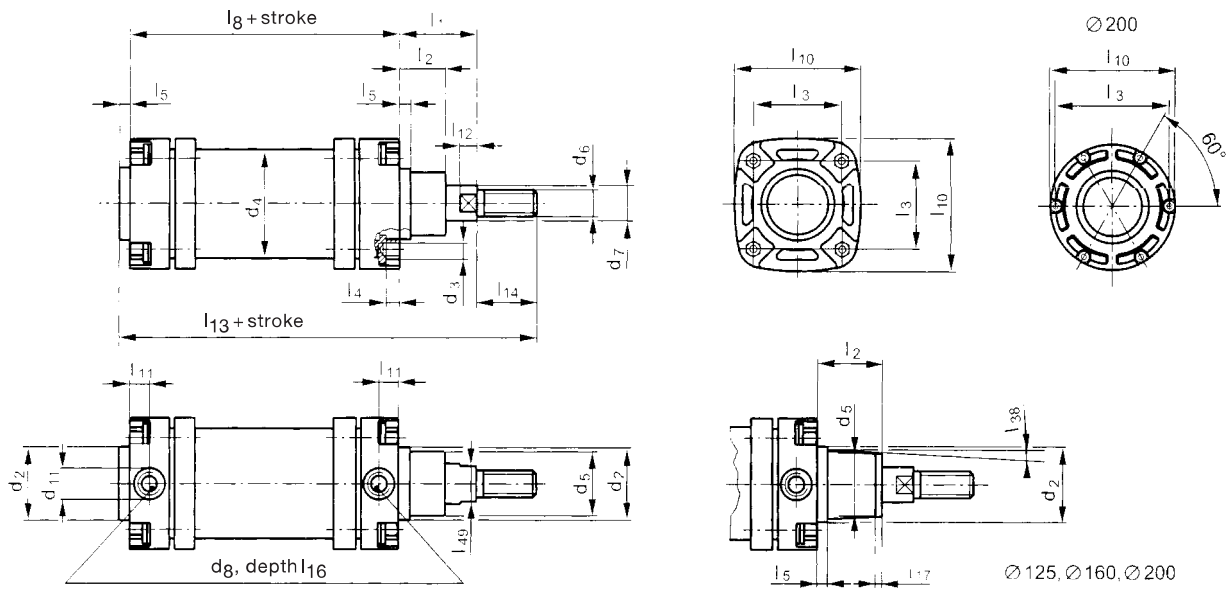
Types



Standard cylinder DU_J

Dimensions

DUJ
DUMJ
DUDJ
DUHJ



Piston-Ø	l_1	l_2	l_3	l_4	l_5	l_8	l_8^*	l_{10}	l_{11}	l_{12}	l_{13}	l_{13}^*	l_{14}
30 mm	40.5	29	36	13	7	72	82	50	13	6	139.5	149.5	20
40 mm	40.5	29	44	10	7	72	82	65	13	6	139.5	149.5	20
50 mm	43.0	29	47	10	7	72	72	70	13	8	147.0	147.0	25
60 mm	43.0	29	56	10	7	72	72	80	13	8	147.0	147.0	25
80 mm	43.0	26	72	10	9	78	88	100	13	10	160.0	170.0	30
100 mm	41.0	25	88	12	10	102	108	124	19	10	183.0	189.0	30
125 mm	72.0	52	108	12	11	102	102	152	19	13	225.0	225.0	40
160 mm	104.0	82	140	12	12	106	111	196	19	14	272.0	277.0	50
200 mm	130.0	107	$\varnothing 230$	12	14	111	111	$\varnothing 260$	19	15	310.0	310.0	55

Piston-Ø	l_{16}	l_{17}	l_{38}	l_{49}	$d_{2, d10}$	d_3	d_4	d_5	d_6	d_7	d_8	d_{11}	
30 mm	12	-	-	10	34	M6	35	-	M10	12	G1/4	22	
40 mm	15	-	-	10	42	M6	45	40	M10	12	G1/4	22	
50 mm	15	-	-	14	47	M6	55	40	M12	16	G1/4	22	
60 mm	15	-	-	14	47	M6	67	40	M12	16	G1/4	22	
80 mm	15	-	-	17	55	M8	87	45	M16	20	G1/4	22	
100 mm	20	-	-	22	70	M10	107	50	M20	25	G1/2	30	
125 mm	20	15	6°	27	85	M10	137	58	M24	30	G1/2	30	
160 mm	20	15	5°	32	110	M12	172	65	M30	35	G1/2	30	
200 mm	20	40	25°	36	145	M12	215	75	M36	40	G1/2	30	

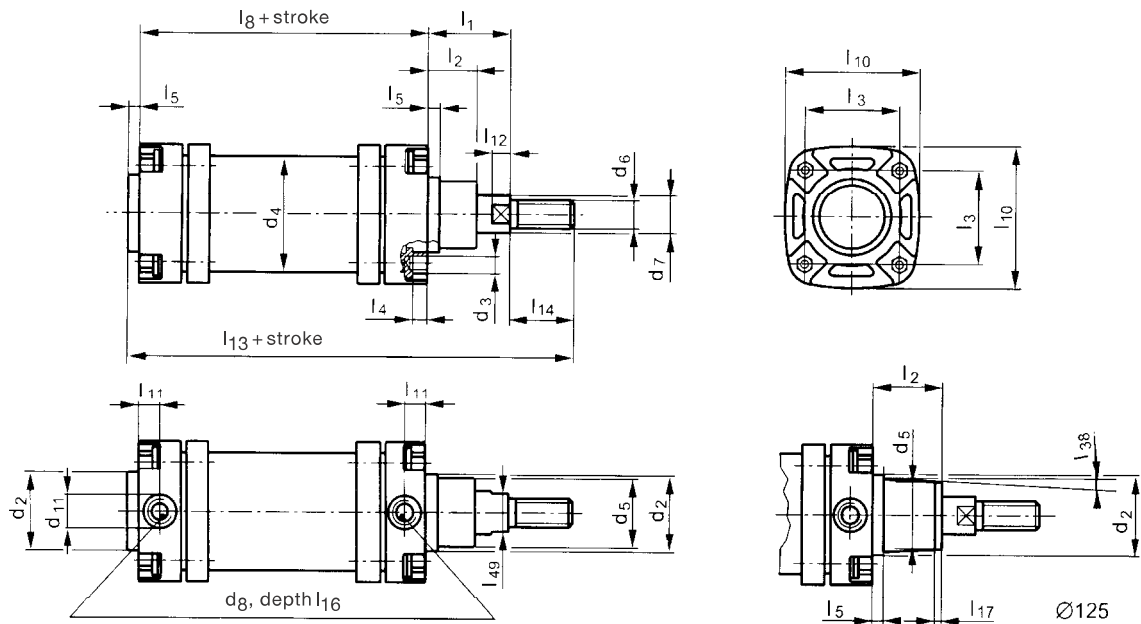
* For DUMJ



Standard cylinder DU_J

Dimensions

DUVJ



Piston-Ø	l_1	l_2	l_3	l_4	l_5	l_6	l_{10}	l_{11}	l_{12}	l_{13}	l_{14}	l_{16}
40 mm	43	29	44	10	7	72	65	13	8	147	25	15
50 mm	53	36	47	10	7	72	70	13	10	162	30	15
60 mm	53	36	56	10	7	72	80	13	10	162	30	15
80 mm	53	37	72	10	9	78	100	13	10	170	30	15
100 mm	72	52	88	12	10	102	124	19	13	224	40	20
125 mm	104	77	108	12	11	102	152	19	14	267	50	20

Piston-Ø	l_{17}	l_{38}	l_{49}	$d_{2, d_{10}}$	d_3	d_4	d_5	d_6	d_7	d_8	d_{11}
40 mm	–	–	14	42	M6	45	40	M12	16	G1/4	22
50 mm	–	–	17	47	M6	55	45	M16	20	G1/4	22
60 mm	–	–	17	47	M6	67	45	M16	20	G1/4	22
80 mm	–	–	22	55	M8	87	50	M20	25	G1/4	22
100 mm	8	5°	27	70	M10	107	58	M24	30	G1/2	30
125 mm	15	5°	32	85	M10	137	65	M30	35	G1/2	30

