

Metal Diaphragm Pressure Switches

Type D1T/D2T

Mechanical single/dual pressure switch
 Repeatability ± 1.0 % at constant temperature

Features

Metal diaphragm pressure switch
 Wetted parts welded.
 Direct acting, no friction, high accuracy

Adjustment ranges

0.005 ... 10.3 bar and
 -0.006 ... -1 bar (Vaccum)

Applications

Machine and tool engineering,
 Autoclaves, pump control,
 Refrigerant monitoring, chemical industry
 Ship building applications



Technical Data

| | |
|------------------------|--------------------------------------------------------------------------------------|
| Wetted parts: | Stainless steel 17 - 7PH / SS304 |
| Repeatability: | ± 1 % at constant temperature |
| Switching rate: | max. 20/min |
| Temperature range: | -40 °C... +75 °C |
| Protection class: | IP65 |
| Housing: | Top part: aluminium powder coated bottom part: aluminium anodized |
| Process connection: | 1/4" NPT female thread Optional: 1/2" NPT female thread (P2) |
| Electrical connection: | WAGO terminal and cable gland M20 x 1.5; clamping range \varnothing 5 ... 11 mm |

| | |
|------------------------------------------|--------------------------------------------------------------------------------------------------------------------------------------------------------------------------|
| Electrical load capacity and hysteresis: | Many micro switch versions with different switching powers and hysteresis are available and make it possible to make customized changes. |
| Weight: | D1T-....: approx. 1.0 kg D2T-....: approx. 1.1 kg |
| Set point adjustment: | Turn the adjustment screw clockwise to decrease the set point |
| Intrinsically safe: | The switches are also available for intrinsically safe applications. Add "Exi" in case of ordering. Maximum rating according to ATEX: $U_{max} = 28$ V $I_{max} = 50$ mA |
| Approval: | --- |

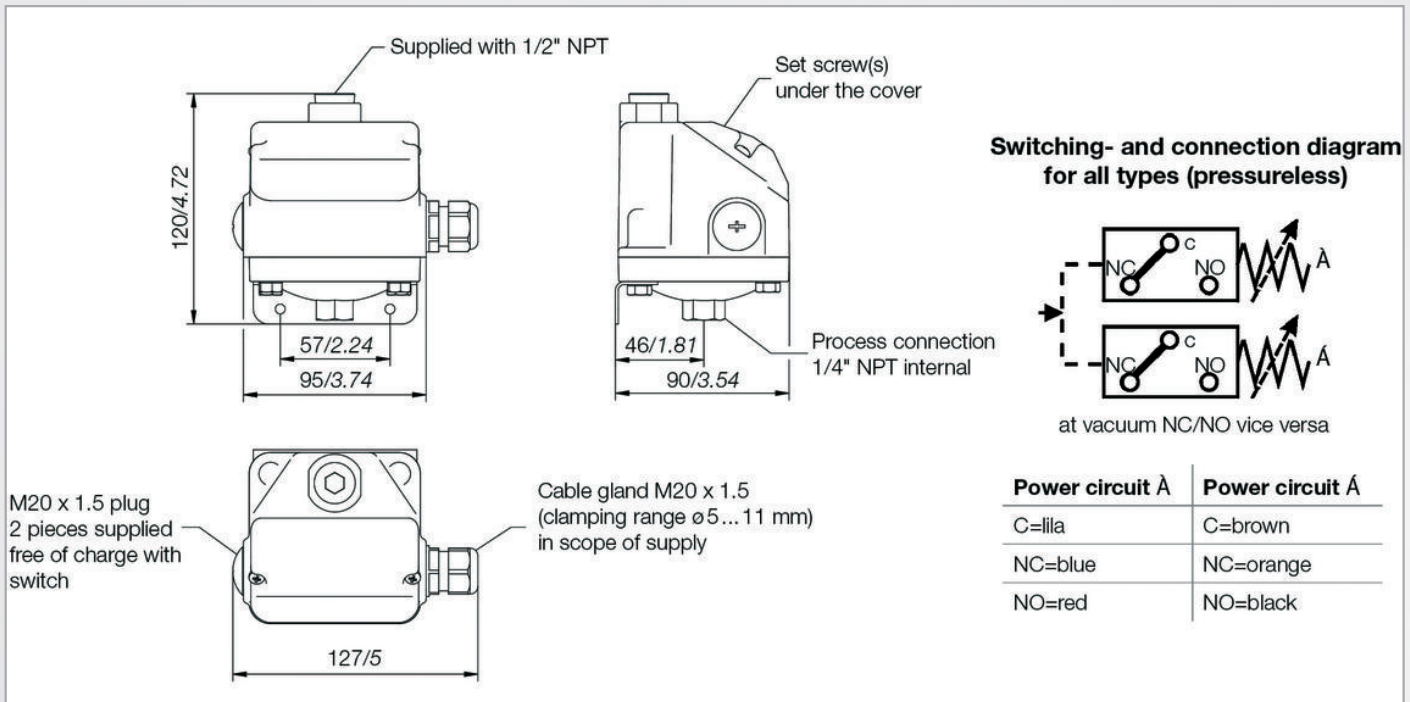
Pressure Ranges

| Pressure range code | Adjustment range [bar] | | Max. operating pressure [bar] | Proof pressure [bar] | Max. hysteresis of switch types in bar (end of range) | |
|---------------------|------------------------|-------------------|-------------------------------|----------------------|-------------------------------------------------------|-------------|
| | Increasing press. | Decreasing press. | | | H, GH [bar] | M, GM [bar] |
| Overpressure | | | | | | |
| 2SS | 0.005 ... 0.11 | 0.001 ... 0.11 | 0.15 | 0.2 | 0.004 | 0.006 |
| 3SS | 0.012 ... 0.20 | 0.002 ... 0.196 | 0.5 | 0.7 | 0.004 | 0.010 |
| 18SS | 0.050 ... 1.20 | 0.030 ... 1.20 | 3.0 | 4.0 | 0.010 | 0.040 |
| 80SS | 0.300 ... 5.50 | 0.030 ... 5.30 | 8.0 | 10.7 | 0.110 | 0.240 |
| 150SS | 0.500 ... 10.30 | 0.100 ... 9.90 | 15.0 | 20.0 | 0.180 | 0.420 |
| Vacuum | | | | | | |
| 3SS | -0.006 ... -0.20 | -0.002 ... -0.196 | 0.15 | 0.2 | 0.004 | 0.009 |
| 18SS | -0.040 ... -1.00 | -0.020 ... -0.970 | 0.5 | 1.0 | 0.020 | 0.060 |

Metal Diaphragm Pressure Switches

Type **D1T/D2T**

Dimensions (mm / inch)



Electrical Ratings

| Micro switch | Special features | Volt AC 50/60 Hz | Ind. load A | Res. load A | Volt DC | Ind. load A | Res. load A | Comments |
|--------------|---------------------------------------------------------------------------|------------------|-------------|-------------|-----------------|----------------------|--------------------|------------------------------------------------|
| H | Micro switch with silver contacts | 125 250 | 10 10 | 10 10 | 6 to 24 | 0.50 | 0.5 | Small hysteresis; High AC-/ low DC-load |
| M | Micro switch with silver contacts | 125 250 | 10 10 | 10 10 | 12 24 250 | 5.00 1.00 0.25 | 15.0 2.0 0.4 | Medium hysteresis; High AC- and DC-loads |
| GH | Micro switch with gold-plated contacts for low voltage and/or low current | 125 | 1 | 1 | 24 | 1.00 | 1.00 | Small hysteresis |
| GM | | 30 | 0.1 | 0.1 | 30 | 0.10 | 0.1 | Medium hysteresis |

Options

| | D1T-... | | D2T-... |
|-----|---------------------------------------------------------|-----|------------------------------------|
| ST1 | Plug, 3-pin + E, DIN EN 175 301-801-A (prev. DIN 43650) | ST3 | Plug, 6-pin + E, DIN 43651 |
| ST2 | Amphenol plug 4-pin + E | EXI | for intrinsically safe application |
| EXI | for intrinsically safe application | | |

Order Code

Example for order number

| Type | Micro switch | Pressure range code | Options | Approval |
|------------|--------------|---------------------|---------|----------|
| D1T or D2T | H | 3SS | ST2 | EXI |

Your order number

| Type | Micro switch | Pressure range code | Options | Approval |
|------|--------------|---------------------|---------|----------|
| | | | | |



TR Automatyka Sp. z o. o.
ul. Lechicka 14 ; 02-156 Warszawa

Tel. (+48 022) 886 10 16
Fax. (+48 022) 846 50 37

www.trautomatyka.pl
biuro@trautomatyka.pl

Subject to technical changes.

Barksdale