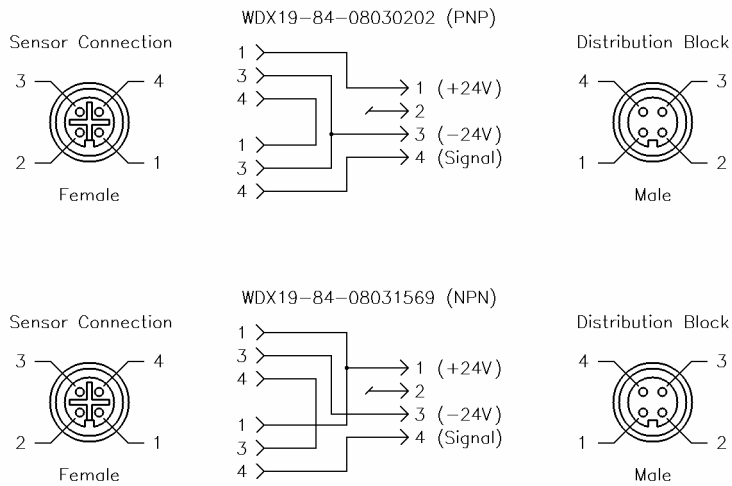
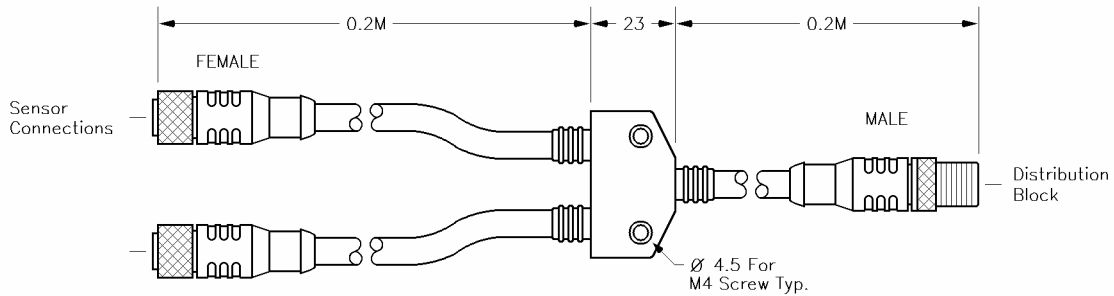


SCU04F-2 24VDC SERIES UNION CABLE - 2 CHANNEL

ELECTRICAL EQUIPMENT
WDX19-84M-08



Application Note

Provides series wired connections for two sensors. An output signal is provided only when each sensor is activated. If either sensor is not activated, no output will result.

Output	Ordering Example	JBL Part Number
PNP	WDX19-84-08030202 24VDC PNP SERIES UNION CABLE - 2 CHANNEL	SCU04F-2
NPN	WDX19-84-08031569 24VDC NPN SERIES UNION CABLE - 2 CHANNEL	SCU04FN-2