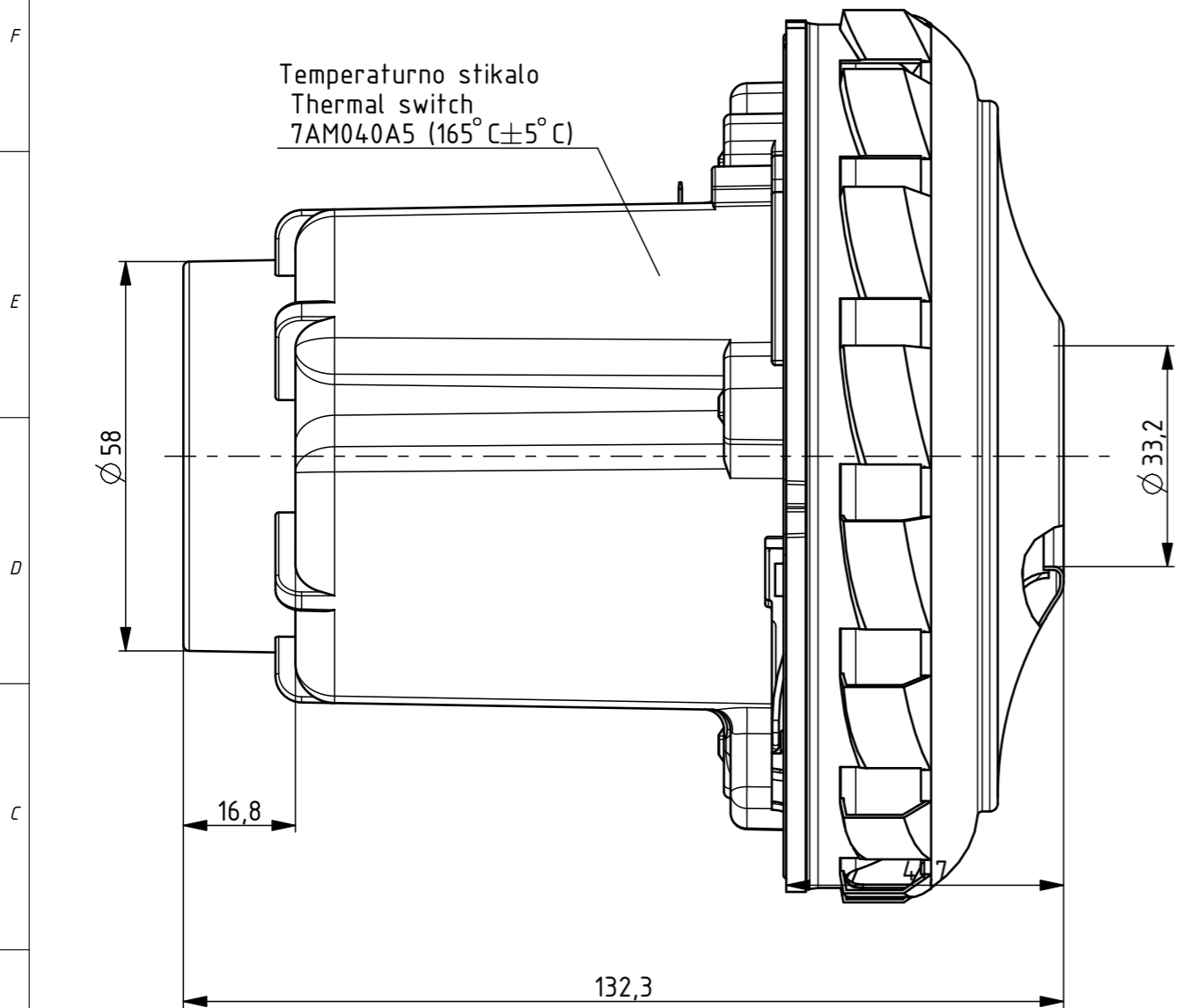


Izdelano s CAD/ProEngineer - ročno spreminjanje ni dovoljeno! Vsak prenos tretjim osebam ali uporaba v nedogovorjene namene ni dovoljena po zakonu o avtorskih pravicah.
 Made with CAD/ProEngineer - changing is not allowed! Any unauthorized copying of this drawing or unauthorized distribution of the information contained herein is prohibited.

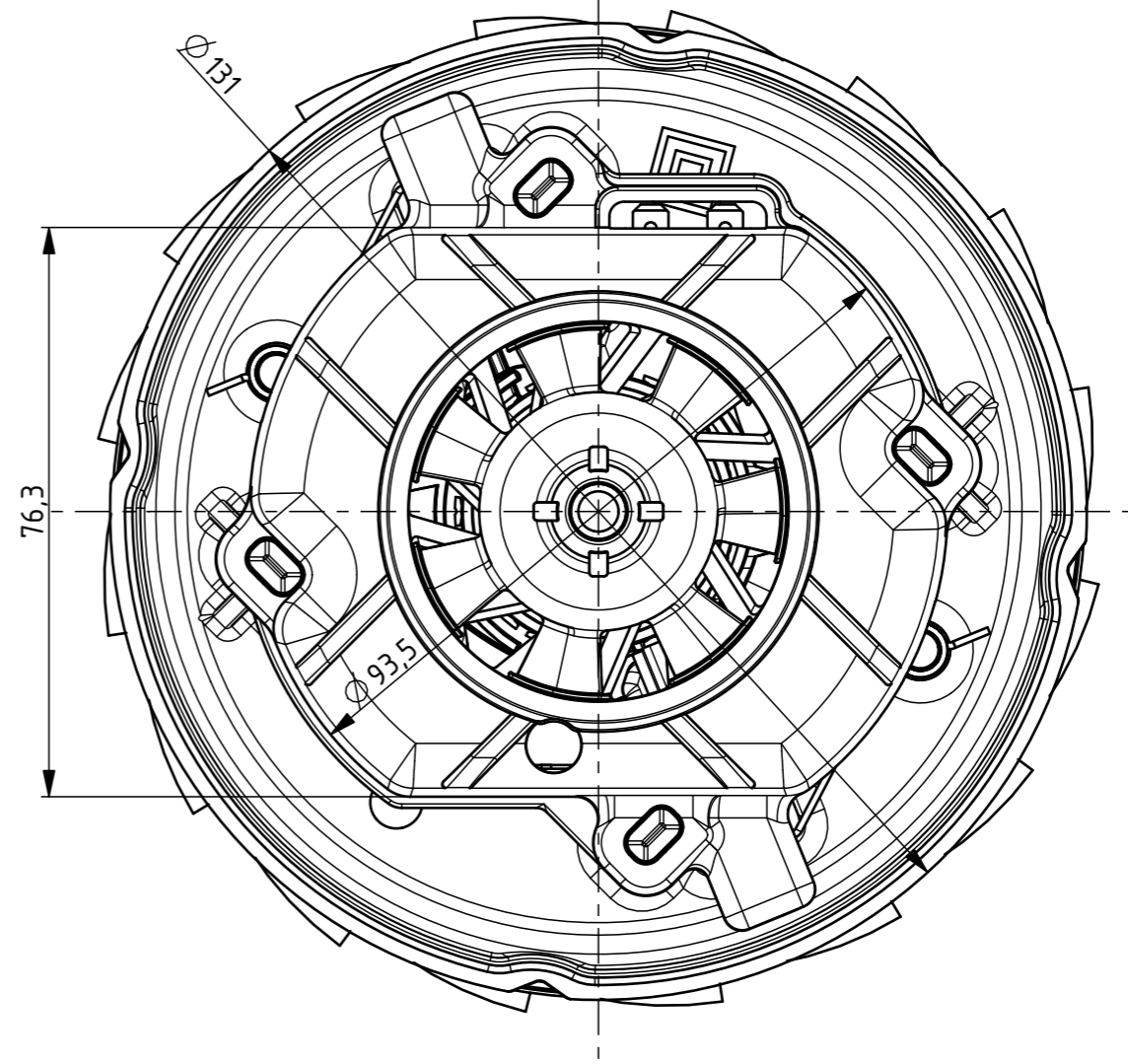
NAPETOST	240 V
VOLTAGE	240 V
FREKVENCA	50 Hz
FREQUENCY	50 Hz
NAZIVNA MOČ	1700 W
NOMINAL POWER	1700 W
MAKSIMALNA MOČ	1930 W
MAXIMAL POWER	1930 W

DVOJNA IZOLACIJA
DOUBLE INSULATED

Verzija Status



Temperaturno stikalo
Thermal switch
7AM040A5 (165°C ± 5°C)



Oznake natisnjene na SE:
Information stamped on VCM:

DOMEL 467.3.619
240 V 50 Hz
I.Cl. 180
YYWWD S NNNN
MADE IN SLOVENIA



OSNOVNE ZNAČILNOSTI		TYPICAL CHARACTERISTICS	
IZVEDBA	ENOSTOPENJSKA	FAN SYSTEM	SINGLE STAGE
VLEŽAJENJE	DVA KROGLIČNA LEŽAJA	BEARINGS	DUAL BALL
VRSTA PRETOKA	MIMO MOTORJA	DISCHARGE	BY PASS
SMER VR TENJA	DESNA	DIRECTION OF ROTATION	CW

				Tolerance odprtih mer Tolerances without individual indications ISO 8015 ISO 2768 - mK	Površinska hrapavost Surface finishing	Merilo Scale 1:2	Original format ISO 5457 - A3
				Datum/Date	Ime/Name	Gradivo / Material	
				Izdelal Designed	25.09.13	D. Vrhunc	Naziv Title SESALNA ENOTA VACUUM CLEANER MOTOR
				Pregl. Verified	30.03.16	Rihtaršič J.	
Ozn. Mark	Št. Nr. of notice	Datum Date	Ime Name	DOMEL Otoki 21, 4228 Železniki, Slovenija		Koda Code	467.3.619
C1	12338	30.03.16	D. Vrhunc			List Sheet	3+
B1	11089	22.01.14	M. Novinc			Stran Page	1
A0	10959	01.10.13	D. Vrhunc			4673619000_SESALNA_ENOTA	