

Primary circuit connector RobiFix

Roboticline | Connectors for Automatic Systems



STÄUBLI ELECTRICAL CONNECTORS

Long-term solutions – Expert connections



Stäubli Electrical Connectors is a leading international manufacturer of high-quality electrical contacts and connector systems and solutions for industrial applications. We are part of the Stäubli mechatronics group, the technology leader in connection solutions, robotics and textile machinery.

Stäubli develops, produces, sells and services products for markets with the highest productivity and safety standards. As recognized specialists, our focus is always on solutions and customers. Many new developments got their start here and are now becoming established as worldwide standards.

Our customers depend on our expertise and our active support, even when dealing with unusual challenges. With Stäubli, you're entering into a long-term partnership built on reliability, dedication, and exceptional quality in both products and services.

Pioneering contact technology for increased efficiency

The entire Stäubli Electrical Connectors product range meets market expectations for high performance, the highest number of mating cycles, and long-lasting reliability for safe, durable operation. Our proven **MULTILAM technology** is ideal for all types of connections in industrial applications. Customers in the **power transmission and**

distribution sector rely on our consistent, loss-free transmission performance in all voltage ranges. The **automotive industry** depends on our high-efficiency connections for spot-welding applications in production lines. Harsh conditions in the **transportation sector** require high vibration resistance, maximum reliability, and compact design. These attributes are vitally important for railway and e-mobility applications. The safety

and reliability of our products are essential for **test and measurement technology.**

In the growing field of **alternative energy**, our products have been setting standards since the 1990s. About half of the solar energy generated worldwide is transmitted through safe, long-lasting, high-performance Stäubli connectors.

Applications and benefits



RobiFix primary circuit connectors for spot-welding applications are used in welding robots and welding guns, dress-packs, frequency converters and tool changers in automotive body construction.

Quick couplings help to reduce downtime during production, as well as maintenance costs.

- Unparalleled contact reliability thanks to MULTILAM advanced contact technology
- Very light and compact design
- Easy exchange of cables by hand
- Fast integration and easy maintenance
- High current-carrying capacity with reverse polarity protection
- Solutions for all primary circuit supply segments, even with different conductor cross-sections



www.robifix.com

RobiFix

Primary circuit Quick Disconnect for resistance welding applications on robots, dresspacks, welding guns, weld timers and automatic tool-changers in the automotive industry.

Quick disconnect solutions for minimized integration time, downtime, installation and maintenance costs.

- Unequalled contact reliability thanks to the Stäubli MULTILAM technology
- Fast integration and easy maintenance
- Extremely compact design with superior performance
- First mate/last break PE-contact for additional safety

- High current-carrying capacity, polarity protection
- Ideal in combination with single-core conductors
- A solution for each dresspack segment from J1 to J6, even with mixed cross-sections
- Easy replacement of upper and lower arm dress package helps reduce downtime and minimize production loss.



Assembly and disassembly
by hand without tools

1000 V AC | max 223 A



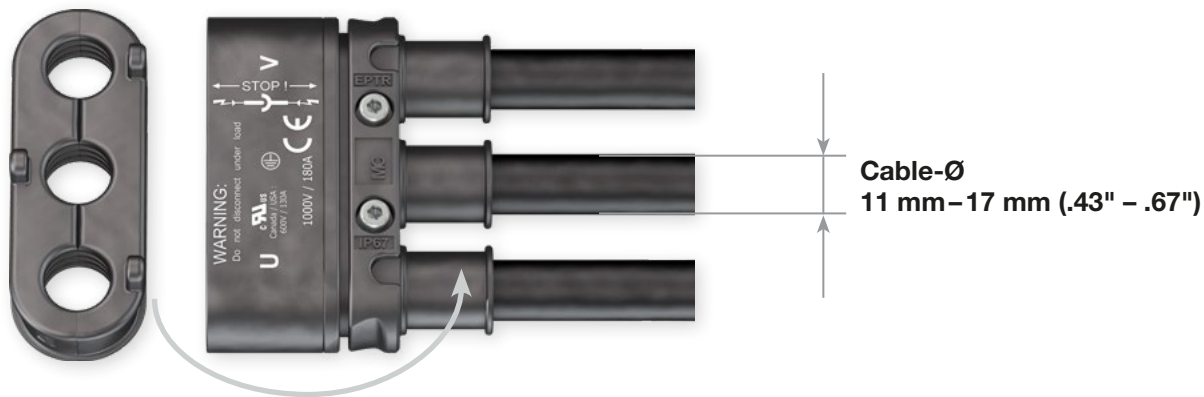
Quick and easy assembly

Insertion and extraction of crimped-on conductors by hand.

Different cable cross-sections can be combined.

Smaller bending radii possible in comparison to jacketed cable (2+PE).

Cable strain relief



Cable strain relief for single conductors. No need for cable glands.

Cable outer Ø from 11 mm to 17 mm. Solutions available for smaller diameters, see page 22.

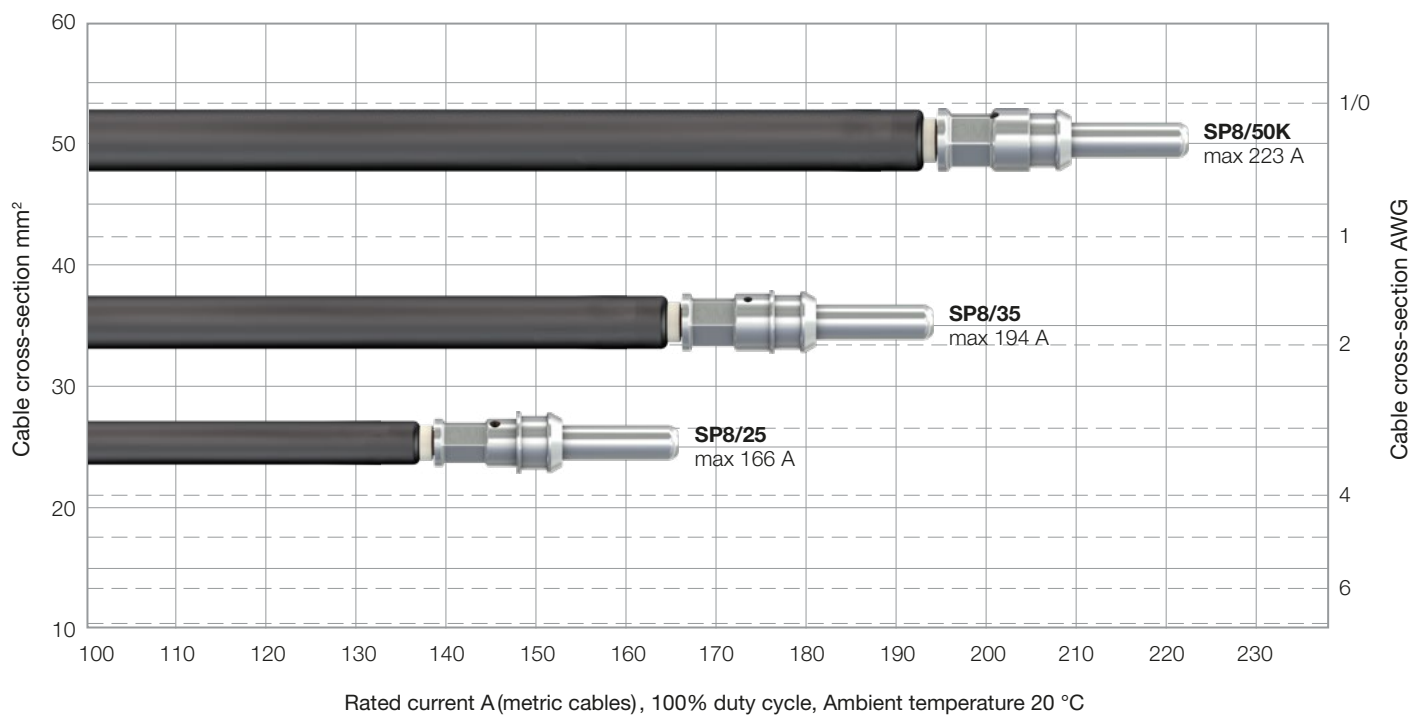
Technical data

Technical data	
Number of poles	2 + PE
Rated current	max. 223 A (up to 1 kHz; higher frequencies see table p. 26) UL: max. 130 A (50 mm ² ~ 1/0 AWG)
Rated voltage	max. 1000 V AC UL: max. 600 V AC
Test voltage	4,26 kV (50 Hz, 1 min.)
Protection, in mated condition	IP67 (IEC)
Type of termination	Crimping
Operating temperature	-20 °C...+90 °C
Material contacts	CuZn, Ag
Insulation material	TPE ¹⁾
Further specifications	IEC 61984, DIN VDE 0298-4/2003-08
Weight (incl. contacts)	J1: ~ 780 g (RobiFix-B35-FZEM/RobiFix-S35-FZEE) J1: ~ 765 g (RobiFix-B35-ZEM/RobiFix-S35-MTB) J3: ~ 580 g (RobiFix-B35-MTB/RobiFix-S35-MTB) J6: ~ 500 g (RobiFix-B35-FZEE/RobiFix-TAE1-57)

Thermal steady current

Depending on cross-section, ambient temperature and cable type, RobiFix can be used for a thermal steady current up to **223 A**.

With two RobiFix in a stacked configuration (RobiFix-TwinPower), **max. 421 A** are possible (page 21). This is ideal for aluminium spot-welding guns.



¹⁾ Resistant to welding splatter and standard lubricating oil.



Low profile, IP67



Resistant against welding fumes/weld spatter

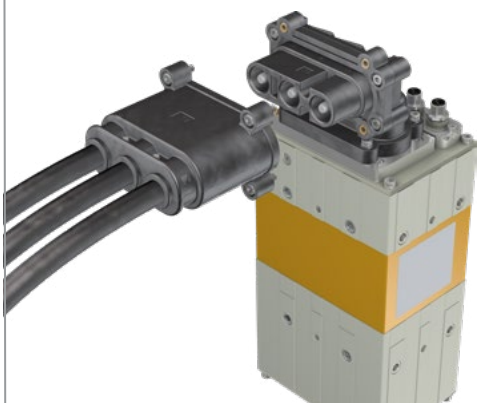


Extremely compact, RobiFix is also considerably lighter compared to conventional power connectors (details page 9).

Overview RobiFix solutions

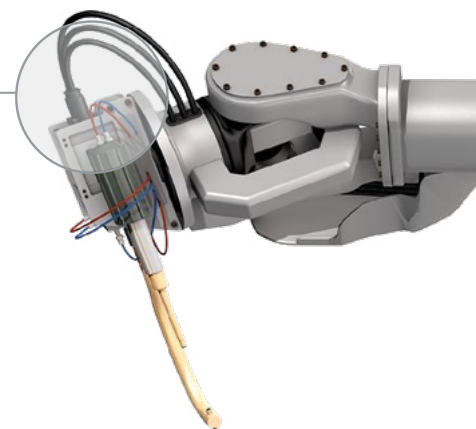
J6

Transformer connection 90°
Page 17



J6

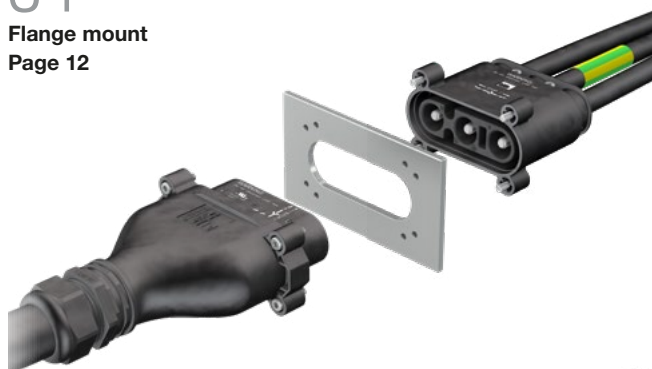
Transformer connection
Page 16



J1
Flat mount
Page 13

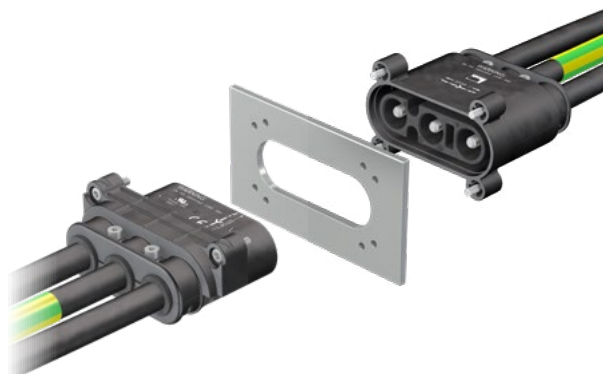
J1

Flange mount
Page 12



J1

Flange mount
single conductors
Page 11



J3
double dresspack
page 21



J3
Mixed conductors
Page 15



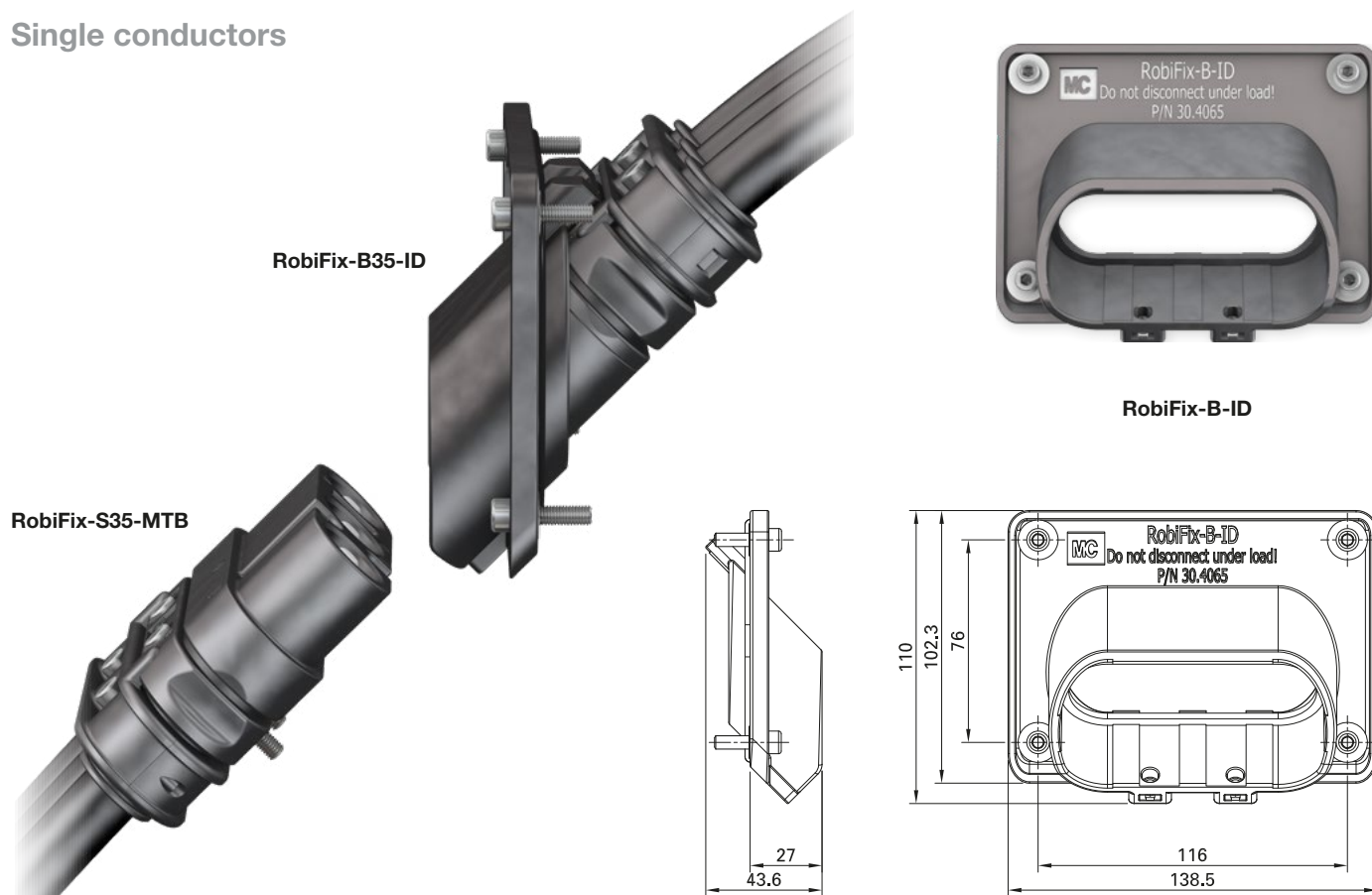
J3
Single conductors
Page 14

**Weld timer connection,
single conductors
Page 10**



Weld timer connection

Single conductors



Order No.	Type	Designation	Contacts	Cable outer Ø
				mm
30.4066	RobiFix-B35-ID	Receptacle, incl. complete socket contact carrier with contacts	BP8/35	~11–17
30.4010	RobiFix-S35-MTB	Complete pin contact carrier (incl. cable strain relief and contacts)	SP8/35	~11–17

Individual parts

30.4065	RobiFix-B-ID	Receptacle, without connector	without	~11–17
30.4016	RobiFix-S-L	Empty pin contact carrier (incl. cable strain relief)	without	~11–17
		Pin and socket contacts (25/35/38/50 mm ² /4 AWG)	see page 18	

The pin contact carrier (e.g. 30.4010) can also be mounted in the receptacle (30.4065).

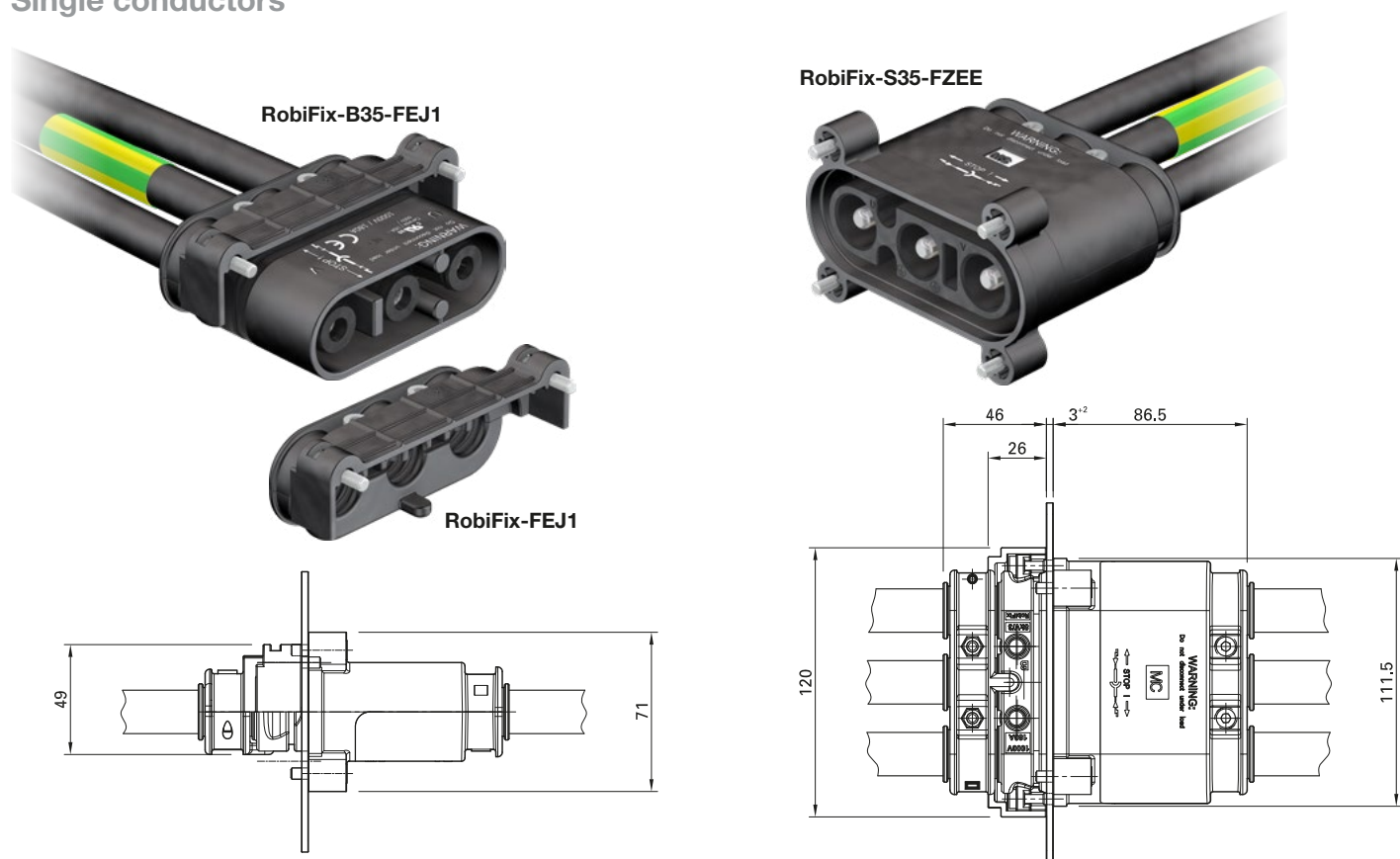


Assembly instructions MA253, MA301

www.staubli.com/electrical

J1 Flange mount

Single conductors



Order No.	Type	Designation	Contacts	Cable outer Ø
				mm
30.4081	RobiFix-B35-FEJ1	Female connector, incl. flanged cable strain relief	BP8/35	~11 – 17
30.4039	RobiFix-S35-FZEE	Male connector, incl. cable strain relief housing RobiFix-FZEE	SP8/35	~11 – 17

Individual parts

30.4082	RobiFix-FEJ1	Flanged cable strain relief without connector	without	~11–17
30.4084	RobiFix-B-FEJ1	Female connector empty, incl. Flanged cable strain relief	without	~11–17
30.4043	RobiFix-S-FZEE	Male connector empty, incl. cable strain relief housing RobiFix-FZEE	without	~11–17
		Pin and socket contacts (25/35/38/50 mm ² /4 AWG)	see page 18	



Assembly instructions MA301

www.staubli.com/electrical

J1 Flange mount

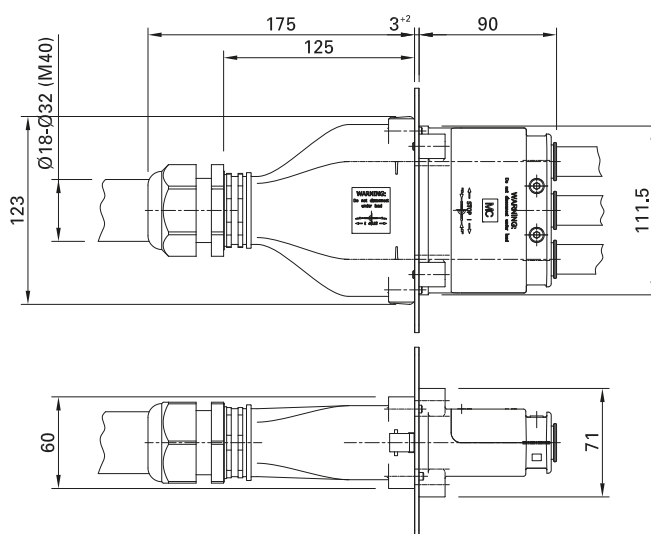
Mixed conductors



RobiFix-B35-FZEM



RobiFix-S35-FZEE



Order No.	Type	Designation	Contacts	Cable outer Ø
				mm
30.4071	RobiFix-B35-FZEM	Female connector, incl. cable strain relief housing RobiFix-FZEM	BP8/35	18 – 32
30.4039	RobiFix-S35-FZEE	Male connector, incl. cable strain relief housing RobiFix-FZEE	SP8/35	~ 11 – 17

Individual parts

30.4076	RobiFix-B-FZEM	Female connector empty, incl. cable strain relief housing RobiFix-FZEM	without	18 – 32
30.4043	RobiFix-S-FZEE	Male connector empty, incl. cable strain relief housing RobiFix-FZEE	without	~ 11 – 17
		Pin and socket contacts (25/35/38/50 mm ² /4 AWG)	see page 18	



Accessories page 22



Assembly instructions MA253, MA301

www.staubli.com/electrical

J1 Flat mount

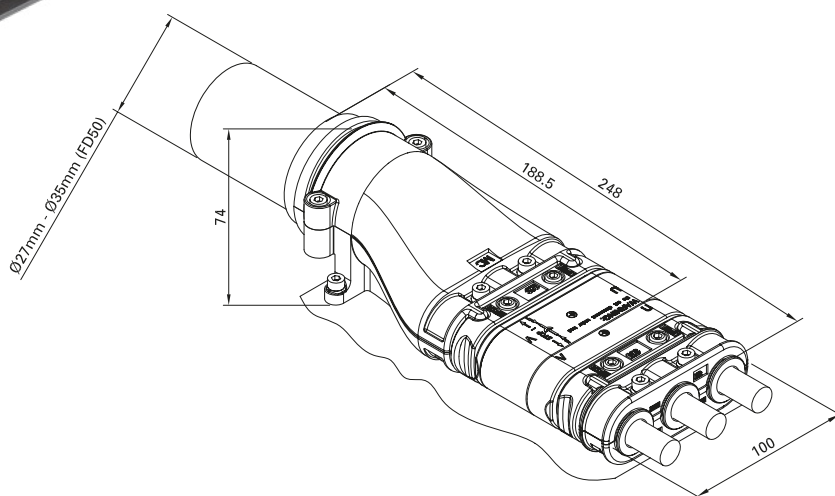
Mixed conductors



RobiFix-B35-ZEM



RobiFix-S35-MTB



Order No.	Type	Designation	Contacts	Cable outer Ø
				mm
30.4018	RobiFix-B35-ZEM	Female connector, incl. cable strain relief housing RobiFix-ZEM	BP8/35	27 – 35 36 – 50 ¹⁾
30.4010	RobiFix-S35-MTB	Male connector complete (incl. cable strain relief and contacts)	SP8/35	~ 11 – 17

Individual parts

30.4023	RobiFix-B-ZEM	Female connector empty, incl. cable strain relief housing RobiFix-ZEM	without	27 – 35 36 – 50 ¹⁾
30.4016	RobiFix-S-L	Male connector empty (incl. cable strain relief)	without	~ 11 – 17
		Pin and socket contacts (25/35/38/50 mm ² /4 AWG)	see page 18	

¹⁾ Rubber cable inlet FD50 will be replaced with form shroud (see page 22), see details MA301.



Accessories page 22



Assembly instructions MA253, MA301

www.staubli.com/electrical

J3 Flat mount

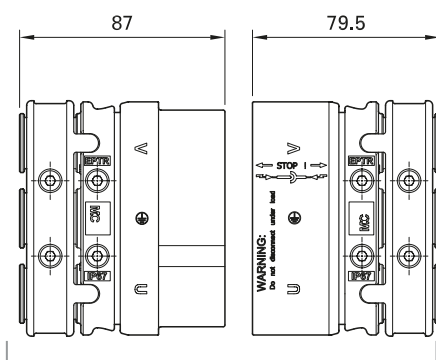
Single conductors



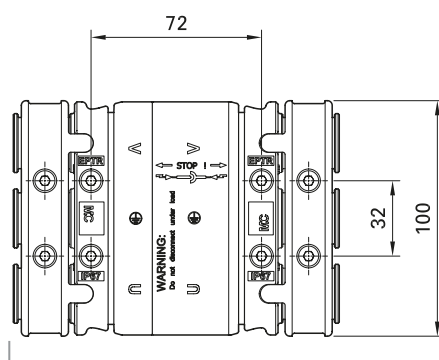
RobiFix-B35-MTB



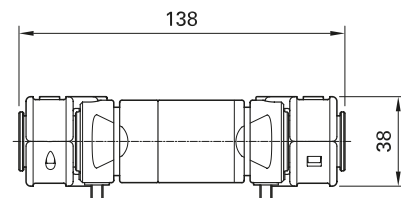
RobiFix-S35-MTB



Unmated condition



Mated condition



UL-File No.: E351413
25/35/50 mm²

Order No.	Type	Designation	Contacts	Cable outer Ø
				mm
30.4005	RobiFix-B35-MTB	Female connector complete (incl. cable strain relief and contacts)	BP8/35	~ 11 – 17
30.4010	RobiFix-S35-MTB	Male connector complete (incl. cable strain relief and contacts)	SP8/35	~ 11 – 17

Individual parts

30.4006	RobiFix-B-L	Female connector empty (incl. cable strain relief)	without	~ 11 – 17
30.4016	RobiFix-S-L	Male connector empty (incl. cable strain relief)	without	~ 11 – 17
		Pin and socket contacts (25/35/38/50 mm ² /4 AWG)	see page 18	



Accessories page 22



Assembly instructions MA253, MA301

www.staubli.com/electrical

J3 Flat mount

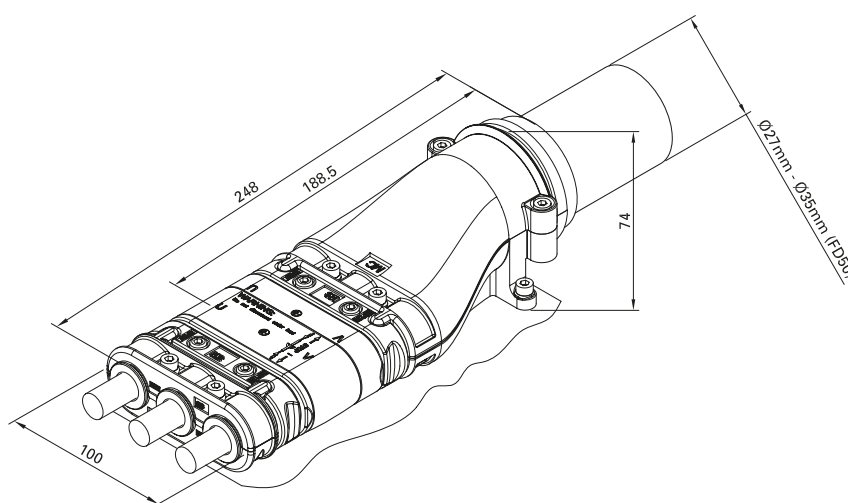
Mixed conductors



RobiFix-B35-MTB



RobiFix-S35-ZEM



Order No.	Type	Designation	Contacts	Cable outer Ø
				mm
30.4005	RobiFix-B35-MTB	Female connector complete, incl. cable strain relief housing and contacts	BP8/35	~ 11 – 17
30.4025	RobiFix-S35-ZEM	Male connector, incl. cable strain relief housing RobiFix-ZEM	SP8/35	27 – 35 27 – 50 ¹⁾

Individual parts

30.4006	RobiFix-B-L	Female connector empty (incl. cable strain relief and mounting sleeves)	without	~ 11 – 17
30.4030	RobiFix-S-ZEM	Male connector empty, incl. cable strain relief housing RobiFix-ZEM	without	27 – 35 27 – 50 ¹⁾
		Pin and socket contacts (25/35/38/50 mm ² /4 AWG)	see page 18	

¹⁾ Without cable inlet FD50, use form shroud (see page 22) instead.



Accessories page 22

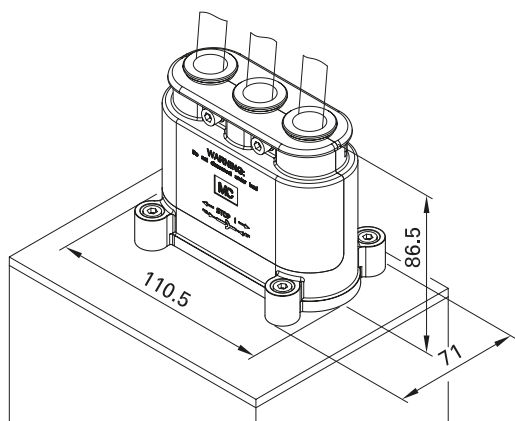


Assembly instructions MA253, MA301

www.staubli.com/electrical

J6 Transformer connection

straight



Order No.	Type	Designation	Contacts	Cable outer Ø
				mm
30.4033	RobiFix-B35-FZEE	Female connector, incl. flanged cable strain relief housing RobiFix-FZEE	BP8/35	~11 – 17
30.4046	RobiFix-TAE1-57	Male connector for welding transformers	S8/M8-57 AG	–
30.4187	RobiFix-TAE1-C-57	Male connector for welding transformers, with coding	S8/M8-57 AG	–

Individual parts

30.4037	RobiFix-B-FZEE	Female connector empty, incl. flanged cable strain relief housing RobiFix-FZEE	without	~ 11 – 17
30.4133	RobiFix-TAE1	Male connector for welding transformers, without contacts	without	–
30.4186	RobiFix-TAE1-C	Male connector for welding transformers, with coding, without contacts	without	–
		Pin and socket contacts (25/35/38/50 mm ² /4 AWG)	see page 18	



Assembly instructions MA253, MA301

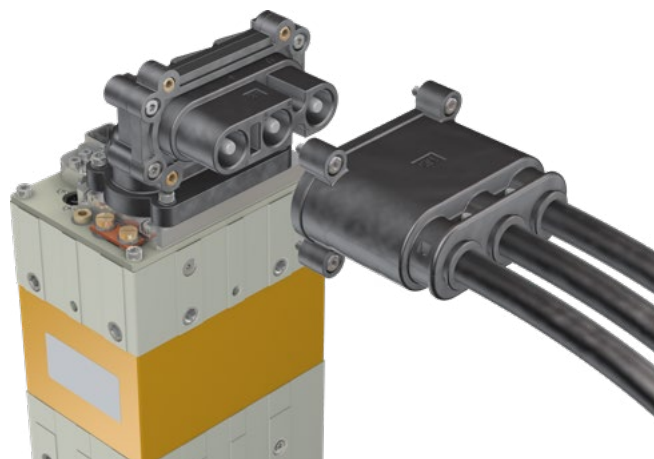
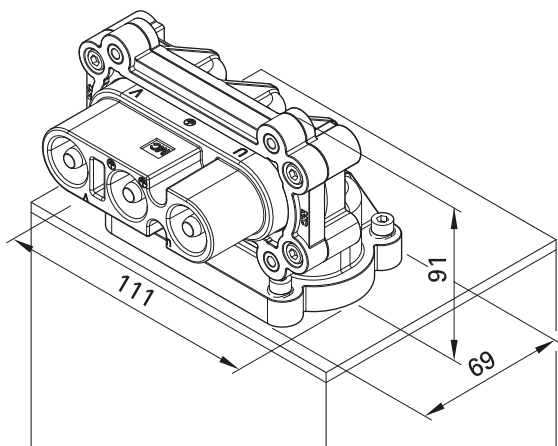
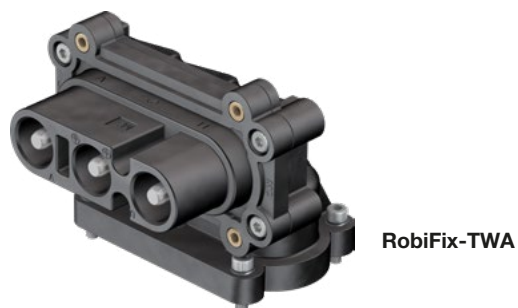
www.staubli.com/electrical



Accessories page 22

J6 Transformer connection

90° adapter



Order No.	Type	Designation	Contacts	Cable outer Ø
				mm
30.4033	Robifix-B35-FZEE	Female connector, incl. flanged cable strain relief housing Robifix-FZEE	BP8/35	~ 11 – 17
30.4013	Robifix-TWA	Male connector for welding transformers, 90° adapter	–	–

Individual parts

30.4037	Robifix-B-FZEE	Female connector empty, incl. flanged cable strain relief housing Robifix-FZEE	without	~ 11 – 17
		Pin and socket contacts (25/35/38/50 mm ² /4 AWG)	see page 18	



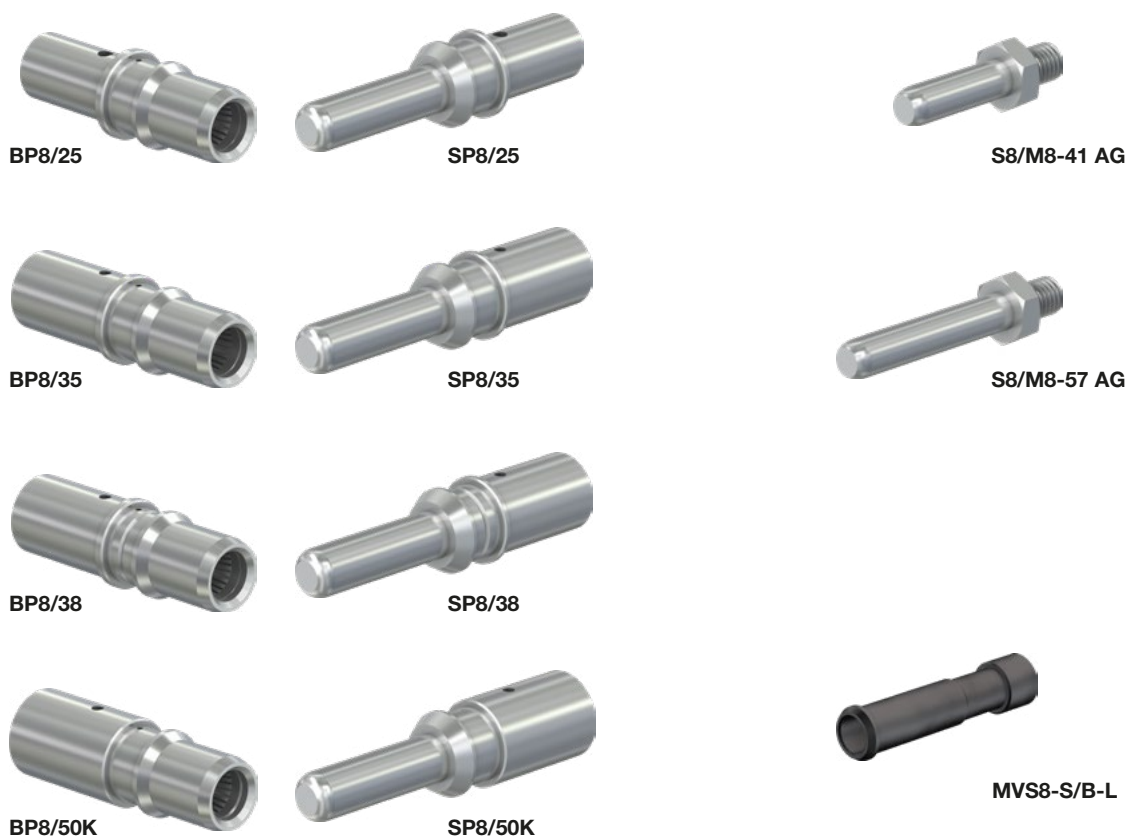
Accessories page 22



Assembly instructions MA253, MA301

www.staubli.com/electrical

Single contacts



Order No.	Type	Designation	Nominal-Ø	Conductor cross section		I.D. crimping sleeve
				mm ²	AWG	
			mm			mm/inch
30.0100 30.0500	BP8/25 SP8/25	Socket Pin	8mm	25	–	~ 8 mm/.31"
30.0101 30.0501	BP8/35 SP8/35	Socket Pin	8mm	35	–	~ 9 mm/.35"
30.0112 30.0512	BP8/38 SP8/38	Socket Pin	8mm	38	–	~ 9.4 mm/.37"
30.4150 30.4154	BP8/50K SP8/50K	Socket Pin	8mm	50	–	~ 11 mm/.43"
30.0401	S8/M8-41 AG	Threaded pin for transformer 41 mm	8mm	–	–	–
30.0403	S8/M8-57 AG	Threaded pin for transformer 57 mm	8mm	–	–	–
30.4189	MVS8-S/B-L	Blind plug for pin or socket				

Accessories for stationary robot welding guns

Connectors designed for the robot base (J1) can also be used for the power supply of welding transformers thanks to these adapters.



RobiFix-A-TAE1



RobiFix-W-ZEM



Order No.	Type	Designation	fits to
30.4058	RobiFix-A-TAE1	Adapter for flange-mount connector	RobiFix-TAE1... + RobiFix-B...-FZEM
30.4062	RobiFix-W-ZEM	Bracket for flat-mount connector	RobiFix-TAE1... + RobiFix-B...-ZEM



Assembly instructions MA253, MA301

www.staubli.com/electrical

Accessories

If not installed on the robot, RobiFix remains connected and locked using RobiFix-LOCK. Ideal for cable extensions.



RobiFix-LOCK



Wall mounting



Mobile mounting

Order No.	Type	Designation	fits to
30.4061	RobiFix-LOCK	Locking system (including mounting screws and Velcro)	RobiFix-S...-MTB + RobiFix-B...-MTB

Accessories for double dresspacks

Mounting bracket

Safe and easy to mount, this bracket allows the installation on welding transformers of

double dresspacks ending with two RobiFix power connectors.



RobiFix-Twin-TB



Order No.	Type	Designation	fits to
30.4067	RobiFix-Twin-TB	Mounting bracket for welding transformer installation	RobiFix-B...-MTB



Assembly instructions MA253, MA301

www.staubli.com/electrical

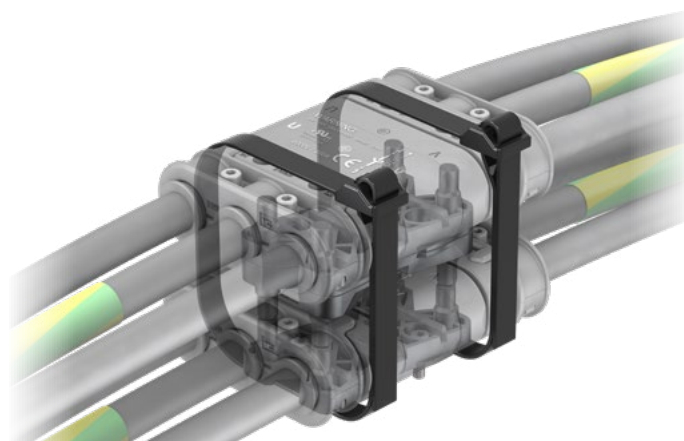
Locking system

Aluminum welding requires more welding current, usually more than 250 A on the primary side. Therefore bigger cables and larger power connectors are needed. With conventional solution, the robot dress-out

would become extremely rigid. Thanks to RobiFix-TwinLock, you can carry up to 421 A (thermal steady current) and still keep the flexibility of your dresspack, even with single conductors up to 50 mm².



RobiFix-TwinPower
Robot mounting



RobiFix-TwinLock
Mobile mounting



Order No.	Type	Designation	fits to
30.4064	RobiFix-TwinPower	Locking system, incl. mounting screws and removable cable ties (without connector)	RobiFix-S...-MTB + RobiFix-B...-MTB
30.4063	RobiFix-TwinLock	Locking system, incl. removable cable ties (without connector)	RobiFix-S...-MTB + RobiFix-B...-MTB



Assembly instructions MA253, MA301

www.staubli.com/electrical

Accessories

These accessories allow the use of quite large or thin welding cables (outer diameter).



WST-TS/150



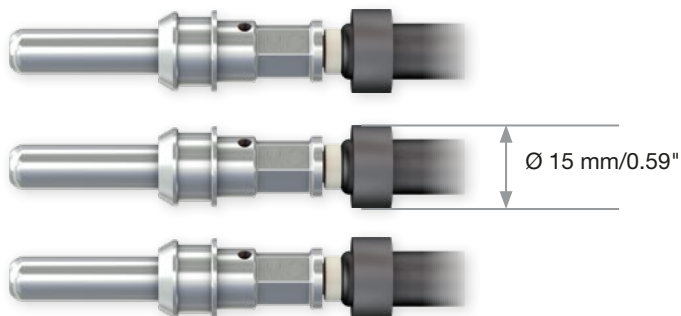
WST90-TS/150



RobiFix-RR10/15



RobiFix-RR12/15



Order No.	Type	Designation	fits to
30.0021	WST-TS/150	Form shroud (adhesive lined heat shrink insulator)	RobiFix-...-ZEM
30.0022	WST90-TS/150	90° form shroud (adhesive lined heat shrink insulator)	RobiFix-...-ZEM
30.4167	RobiFix-RR10/15	Set of 3 rubber rings	–
30.4173	RobiFix-RR12/15	Set of 3 rubber rings	–

Protective caps are beneficial to protect against dust and moisture of pins and sockets during transportation and storage.



RobiFix-PC



RobiFix-ZE



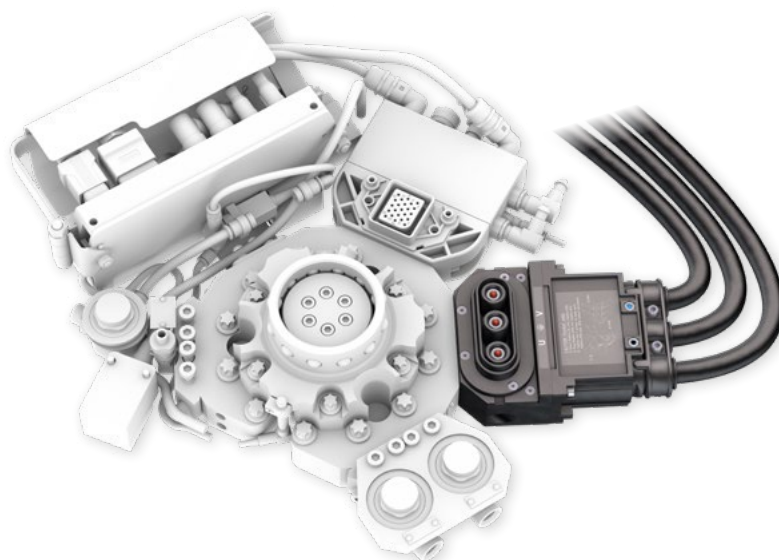
Order No.	Type	Designation	fits to
30.4157	RobiFix-PC	Set of 3 protective caps	RobiFix-S..., RobiFix-B..., RobiFix-TAE1
30.4031	RobiFix-ZE	Cable strain relief	RobiFix-S...-MTB + RobiFix-B...-MTB

Automatic tool-changers

Complete economic solution for spot-welding robots with an automatic tool-changer

MGK4-180-RFA

Mounting type 1



Example: RobiFix in use as an electrical supply line for the power module on a Stäubli MPS-system (tool-changer).

With RobiFix, you can standardize and install very economically, the primary circuit connection from the robot base (J1) to the welding gun (J6).

Benefits: the power cables inside the robot dresspack always end in the same connector, with or without the tool-changer.

The new standard makes it possible for end-users to reduce extra amounts of dresspacks and energy supplies for the robot to a minimum.

The docking plug connector MGK4-180-RFA has the advantage of being able to be assembled straight onto the tool-changer or at 60 degree angle, allowing optimal cable management.

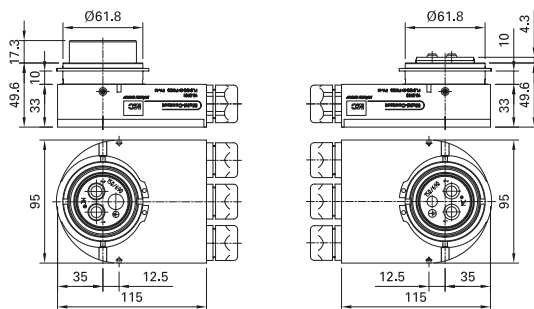
Mounting type 2 with angled adapter



MGK4-180-RFA is a customer specific development from Stäubli for Stäubli Tec-

Systems. Please refer to Stäubli for this solution (Connectors Division).

FL3...2+PE-RF-ECO



Order No.	Type	Conductor cross section		Number of poles	Nominal-Ø contact	Rated current	Surface	Cable gland
		mm ²	AWG					
18.0713	FL3-SG-2+PE-RF-ECO	25/35/38	4/2	2+PE	8	135/150/150		x
18.0712	FL3-BG-2+PE-RF-ECO	25/35/38	4/2	2+PE	8	135/150/150		x

Contact pieces with plug termination

Step 1:

Once the strain relief has been disassembled, the assembled cables are removed from the RobiFix contact carrier by hand ...



Step 2:

... and inserted directly into the FL3-...-RF-ECO and automatically locked!



Interchangeable contact inserts

Service friendly thanks to the rapid changing system

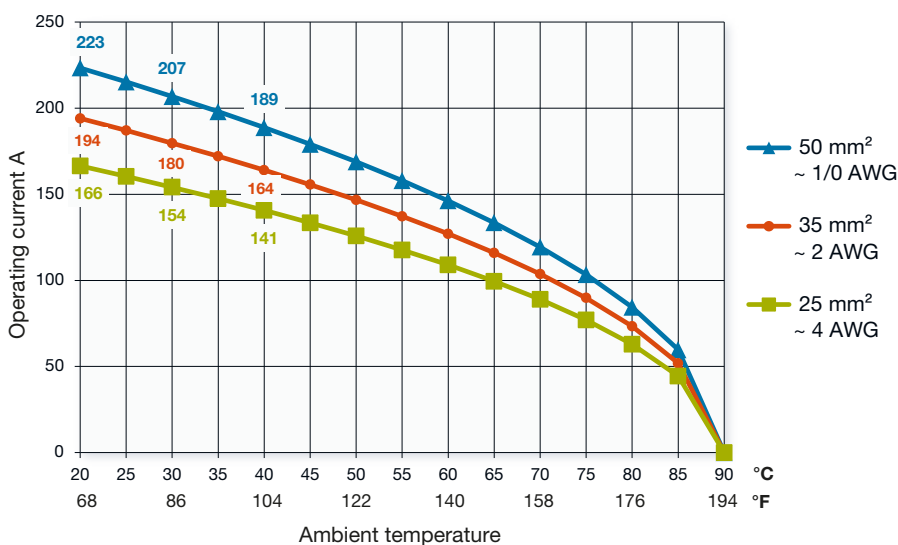
Electrical values

Rating factor 0,9

The current capacity of a connection is limited by the thermal capacity of its contact, connecting and insulating materials. The derating diagram shows the continuous current (not intermittent) that flows through

all the contact elements of a connector at one time, whereby the max temperature limit is not exceeded.

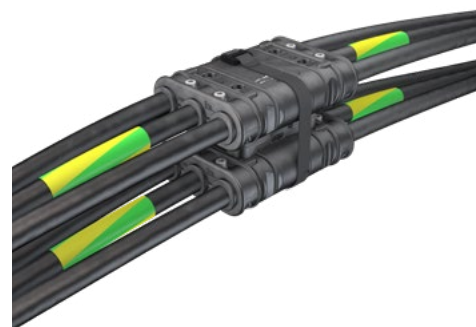
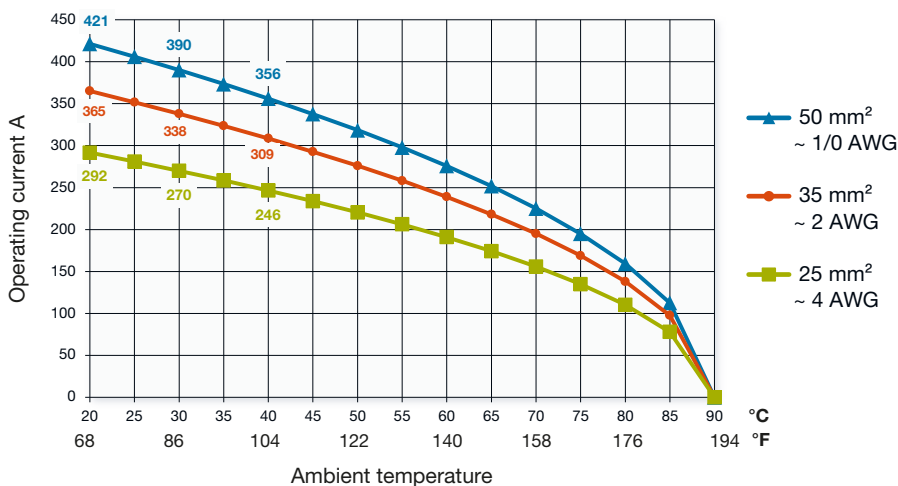
Single dresspack (0 – 1000 Hz)



Rating factor
(related to frequency and cross-section)

	Frequency	
	2000 Hz	3000 Hz
50 mm²	0.89	0.86
35 mm²	0.93	0.90
25 mm²	0.95	0.92

Double dresspack (0 – 1000 Hz)



Example: at 1000 Hz and with 50 mm² (1/0 AWG) cables at 20 °C (68 °F) RobiFix can transmit a thermal study current of max 223 A. At a higher frequency of 3000 Hz, RobiFix can carry max 192 A (223 x 0.86).

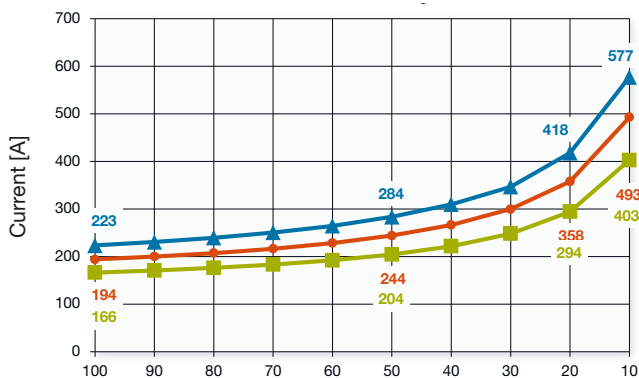
Note:

When selecting cable cross sections, please also observe the DIN VDE 0298-4 and EN 60204-1/IEC 60204-1 standards.

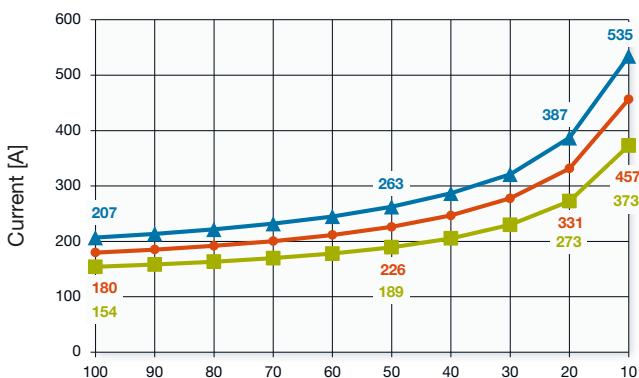
Current characteristics for short operating periods are displayed below, in addition to the maximum continuous current (graph

above). The duty cycle is determined within one cycle duration (relationship between switch-on and pause time).

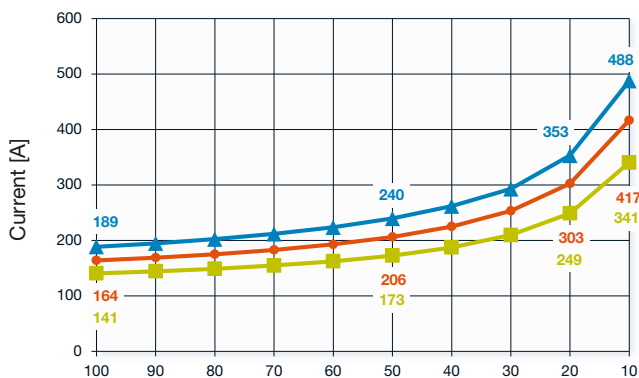
Current at **Tamb 20 °C (68 °F)**
(0 – 1000 Hz)



Current at **Tamb 30 °C (86 °F)**
(0 – 1000 Hz)



Current at **Tamb 40 °C (104 °F)**
(0 – 1000 Hz)



Rating factor

(related to frequency and cross-section)









	Frequency	
	2000 Hz	3000 Hz
50 mm ²	0.89	0.86
35 mm ²	0.93	0.90
25 mm ²	0.95	0.92

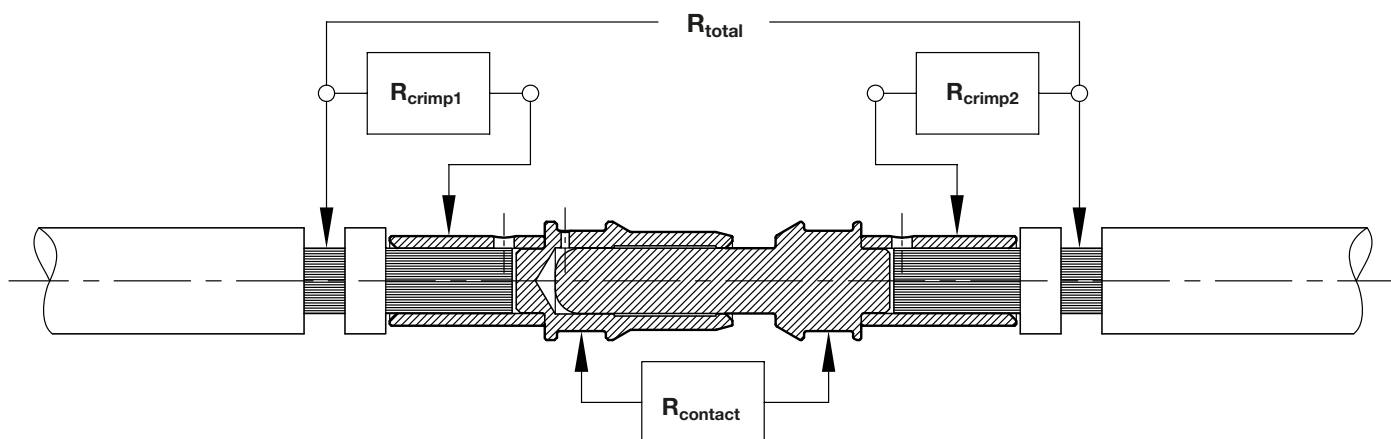
- ▲— RobiFix 50 mm²
Time cycle basis 10 min
- RobiFix 35 mm²
Time cycle basis 10 min
- RobiFix 25 mm²
Time cycle basis 10 min

Example: With 50 mm² (1/0 AWG) cables and at 20 °C (68 °F), RobiFix can transmit a thermal study current of max 223 A, representing a duty cycle of 100%. With a switch-on duration of 20% and a pause time of 80%, RobiFix can carry max 418 A. Basis is a cycle time of 10 minutes, i.e. 20% correspond to 2 minutes “on” and 8 minutes “off”.

Energy efficiency

Comparison Stäubli/Ordinary connector suppliers

35 mm ² (2 AWG) 150 A	Temperature (average)	Contact resistance (R_{crimp})	Total resistance per contact (R_{total})	Power loss per contact (P_v)
Stäubli	60 – 80 °C 	<25 μΩ 	<110 μΩ 	<2,5 W 
Usual suppliers	119 – 160 °C 	78 – 100 μΩ 	>210 – 260 μΩ 	5 – 6 W 



Energy efficiency for sustainability in production

The quality of a plug connector is determined by the sum of the resistances R_{total} ($R_{\text{crimp1}} + R_{\text{crimp2}} + R_{\text{contact}}$). The lower the overall resistance, the smaller are the power losses P_v in the plug connection. Small power losses are characteristic of an efficient, environment-friendly connector.

Crimping tool case CZK2



Pos. Nr.	Order No.	Type	Description	
1a	18.3111	CZK2-230	Crimping tool case (incl. shoulder strap and plastic carrying case)	230 V

Content

2	-	CZ-B500	Electro hydraulic crimping tool „B500“
3	18.3042	ALI-18	Battery Li-ION – 18 V – 4,0 Ah
4	18.3023	MTB11-25-50	Crimping die 25 mm ² /4 AWG
5	18.3024	MTB13-35-50	Crimping die 35 mm ² /~2 AWG
6	18.3044	ALG2-230	Battery charger 230 V AC

1b	18.3112	CZK2-110	Crimping tool case (incl. shoulder strap and plastic carrying case)	110/120 V
----	---------	----------	---	-----------

Content

2	-	CZ-B500	Electro hydraulic crimping tool „B500“
3	18.3042	ALI-18	Battery Li-ION – 18 V – 4,0 Ah
4	18.3023	MTB11-25-50	Crimping die 25 mm ² /4 AWG
5	18.3024	MTB13-35-50	Crimping die 35 mm ² /~2 AWG
7	18.3043	ALG2-110	Battery charger 110/120 V AC

Optional Accessories

8	18.3029	MTB09-16-50	Crimping die 16 mm ² /6 AWG
9	18.3025	MTB14,5-50-50	Crimping die 50 mm ² /1/0 AWG

Optional Assembly tools for TSS/TSB150 and TSS/TSB250

	18.3022	MSA-WZ8	Extraction tool (pin)
	18.3017	MBA-WZ6	Extraction tool (socket)
	18.3021	ME-WZ11/38	Insertion tool (pin/socket)

Index

Sorted by Order No.

Order No.	Type	Page
18.0712	FL3-BG-2+PE-RF-ECO	25
18.0713	FL3-SG-2+PE-RF-ECO	25
18.3017	MBA-WZ6	29
18.3021	ME-WZ11/38	29
18.3022	MSA-WZ8	29
18.3023	MTB11-25-50	29
18.3024	MTB13-35-50	29
18.3025	MTB14,5-50-50	29
18.3029	MTB09-16-50	29
18.3042	ALI-18	29
18.3043	ALG2-110	29
18.3044	ALG2-230	29
18.3111	CZK2-230	29
18.3112	CZK2-110	29
30.0021	WST-TS/150	22
30.0022	WST90-TS/150	22
30.0100	BP8/25	18
30.0101	BP8/35	18
30.0112	BP8/38	18
30.0401	S8/M8-41 AG	18
30.0403	S8/M8-57 AG	18
30.0500	SP8/25	18
30.0501	SP8/35	18
30.0512	SP8/38	18
30.4005	RobiFix-B35-MTB	14,15
30.4006	RobiFix-B-L	14,15
30.4010	RobiFix-S35-MTB	10,13,14
30.4013	RobiFix-TWA	17
30.4016	RobiFix-S-L	10,13,14
30.4018	RobiFix-B35-ZEM	13
30.4023	RobiFix-B-ZEM	13
30.4025	RobiFix-S35-ZEM	15

Order No.	Type	Page
30.4030	RobiFix-S-ZEM	15
30.4031	RobiFix-ZE	23
30.4033	RobiFix-B35-FZEE	16,17
30.4037	RobiFix-B-FZEE	16,17
30.4039	RobiFix-S35-FZEE	11,12
30.4043	RobiFix-S-FZEE	11,12
30.4046	RobiFix-TAE1-57	16
30.4058	RobiFix-A-TAE1	19
30.4061	RobiFix-LOCK	20
30.4062	RobiFix-W-ZEM	19
30.4063	RobiFix-TwinLock	21
30.4064	RobiFix-TwinPower	21
30.4065	RobiFix-B-ID	10
30.4066	RobiFix-B35-ID	10
30.4067	RobiFix-Twin-TB	20
30.4071	RobiFix-B35-FZEM	12
30.4076	RobiFix-B-FZEM	12
30.4081	RobiFix-B35-FEJ1	11
30.4082	RobiFix-FEJ1	11
30.4084	RobiFix-B-FEJ1	11
30.4133	RobiFix-TAE1	16
30.4150	BP8/50K	18
30.4154	SP8/50K	18
30.4157	RobiFix-PC	23
30.4167	RobiFix-RR10/15	22
30.4173	RobiFix-RR12/15	22
30.4186	RobiFix-TAE1-C	16
30.4187	RobiFix-TAE1-C-57	16
30.4189	MVS8-S/B-L	18
	CZ-B500	29

Sorted by type

Type	Order No.	Page
FL3-BG-2+PE-RF-ECO	18.0712	25
FL3-SG-2+PE-RF-ECO	18.0713	25
MBA-WZ6	18.3017	29
ME-WZ11/38	18.3021	29
MSA-WZ8	18.3022	29
MTB11-25-50	18.3023	29
MTB13-35-50	18.3024	29
MTB14,5-50-50	18.3025	29
MTB09-16-50	18.3029	29
ALI-18	18.3042	29
ALG2-110	18.3043	29
ALG2-230	18.3044	29
CZK2-230	18.3111	29
CZK2-110	18.3112	29
WST-TS/150	30.0021	22
WST90-TS/150	30.0022	22
BP8/25	30.0100	18
BP8/35	30.0101	18
BP8/38	30.0112	18
S8/M8-41 AG	30.0401	18
S8/M8-57 AG	30.0403	18
SP8/25	30.0500	18
SP8/35	30.0501	18
SP8/38	30.0512	18
RobiFix-B35-MTB	30.4005	14,15
RobiFix-B-L	30.4006	14,15
RobiFix-S35-MTB	30.4010	10,13,14
RobiFix-TWA	30.4013	17
RobiFix-S-L	30.4016	10,13,14
RobiFix-B35-ZEM	30.4018	13
RobiFix-B-ZEM	30.4023	13
RobiFix-S35-ZEM	30.4025	15

Type	Order No.	Page
RobiFix-S-ZEM	30.4030	15
RobiFix-ZE	30.4031	23
RobiFix-B35-FZEE	30.4033	16,17
RobiFix-B-FZEE	30.4037	16,17
RobiFix-S35-FZEE	30.4039	11,12
RobiFix-S-FZEE	30.4043	11,12
RobiFix-TAE1-57	30.4046	16
RobiFix-A-TAE1	30.4058	19
RobiFix-LOCK	30.4061	20
RobiFix-W-ZEM	30.4062	19
RobiFix-TwinLock	30.4063	21
RobiFix-TwinPower	30.4064	21
RobiFix-Twin-TB	30.4067	20
RobiFix-B-ID	30.4065	10
RobiFix-B35-ID	30.4066	10
RobiFix-B35-FZEM	30.4071	12
RobiFix-B-FZEM	30.4076	12
RobiFix-B35-FEJ1	30.4081	11
RobiFix-FEJ1	30.4082	11
RobiFix-B-FEJ1	30.4084	11
RobiFix-TAE1	30.4133	16
BP8/50K	30.4150	18
SP8/50K	30.4154	18
RobiFix-PC	30.4157	23
RobiFix-RR10/15	30.4167	22
RobiFix-RR12/15	30.4173	22
RobiFix-TAE1-C	30.4186	16
RobiFix-TAE1-C-57	30.4187	16
MVS8-S/B-L	30.4189	18
CZ-B500		29



■ Stäubli Units ○ Agents

Global presence of the Stäubli Group

www.staubli.com