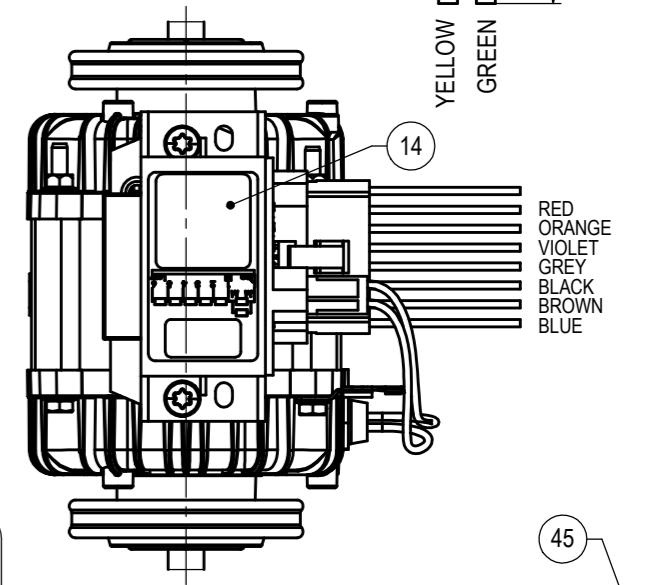
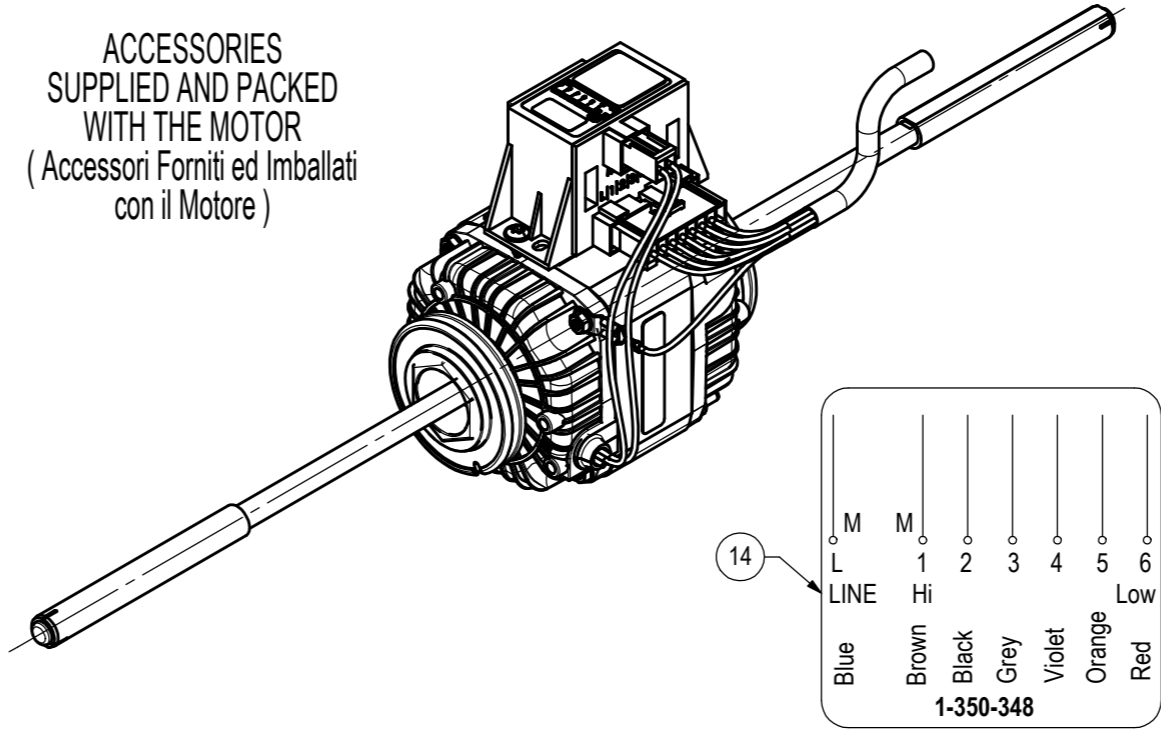


ACCESSORIES  
SUPPLIED AND PACKED  
WITH THE MOTOR  
(Accessori Forniti ed Imballati  
con il Motore)

CLASS "B" MOTOR - SLEEVE BEARINGS MANUFACTURED (Motore in classe "B" - Esecuzione a Bronzine)	
AXIAL CLEARANCE ( Gioco assiale )	0,5 - 2,5 mm
END SHIELD - LEADS SIDE ( Coperchio lato Cavi )	CLOSED ( Chiuso )
END SHIELD - OPPOSITE LEADS SIDE ( Cop. lato opposto cavi )	CLOSED ( Chiuso )
ASSEMBLING SPECIFICATION No. ( Normativa per note di montaggio )	EL.UN.0002
MECHANICAL SPECIFICATION No. ( Normativa per note di controllo meccanico )	EL.CM.0001
ELECTRICAL SPECIFICATION No. ( Controllo elettrico con prescrizione )	M.2025/ 6



MOD. 1BT 45-40-6V NA	230V ~ 50/60Hz	0,65A	DATA	CE
45/145W	1100Rpm	TH.PROT.	BTNB46TB0547	
C=3,15µF	450VL	Ins. CL.B		

Rel.	Date	Description	Executor signature	Checked
MODIFICATIONS				

	For dimension without tolerance see standard UNI EN 22768-mK	Treatment Material	A3
	Drawn Pedrini R. Date 05-07-2018 Check <i>F. Crigola</i> Scale ---	<b>SINGLE PHASE MOTOR</b> <b>MOTOR 1 BT 45-40-6V NA</b> 230V 50/60Hz Th.Prot. CL.B	
Weight gr. Ref. No 4-010-1807		Release -	
<b>BTNB46TB0547</b>			