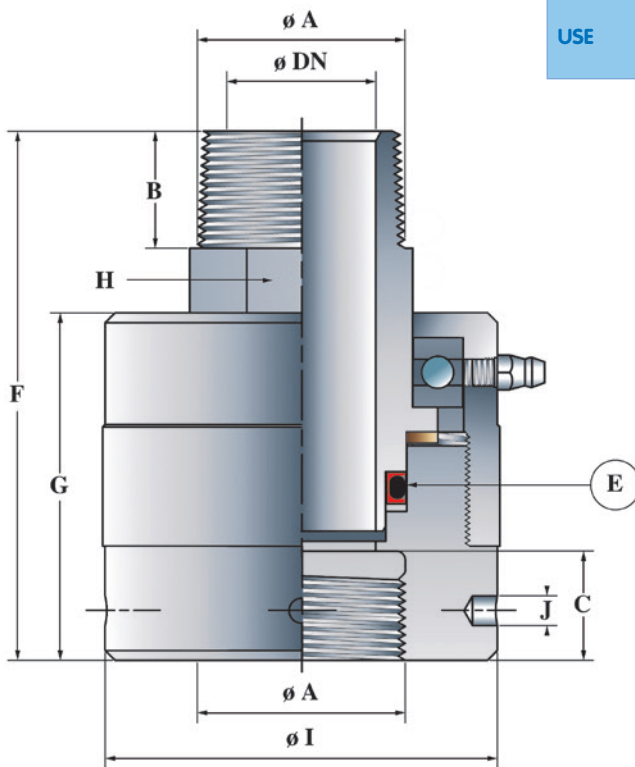


TECHNICAL FEATURES

REFERENCE	1800 SRK : nickel plated steel 1800 SRI : stainless steel
DIMENSIONS	1/4" to 3" BSP
MATERIAL	1800 SRK : nickel plated steel 1800 SRI : stainless steel 316 L
THREAD	Male and female in BSP thread, right-hand connection
PRESSURE	Maxi 350 bar sauf inox (voir tableau)
TEMPERATURE	Maximum 150° C
ROTATION	Swiveling motion, slow or articulated rotation
APPLICATION	Attached fittings on high pressure hoses, spray painting, hydraulic hose reels, etc...
OBSERVATIONS	Ball bearing and Tefl on seal for easy rotation. Full bore.
CONNECTION	With hoses
USE	Oil, air, gas, vacuum, water (1800 SRK), chemicals (1800 SRI), lubrication (from 1827 SRK)



1800 SRK - I (High Pressure)

Ref.	1813 SRK-SRI	1817 SRK-SRI	1821 SRK-SRI	1827 SRK-SRI	1834 SRK-SRI	1842 SRK-SRI	1849 SRK-SRI	1860 SRK-SRI	1876 SRK-SRI	1890 SRK-SRI
A	1/4"	3/8"	1/2"	3/4"	1"	1" 1/4	1" 1/2	2"	2" 1/2	3"
B	13	14	16	18	21	24	24	29	29	35
C	11	12	15	17	20	22,5	22	26	25	30
Ø DN	7	10	13	18	24	30	38	46	60	73
E	GR 813 SRV	GR 817 SRV	GR 821 SRV	GR 827 SRV	GR 834 SRV	GR 842 SRV	GR 849 SRV	GR 860 SRV	GR70V	GR90V
F	66	69	80	91,5	99	104,5	118	130	142	180
G	47	48	56	62	66	70	79	84	95	122
H	12 /Flat	14 /Flat	22 /Flat	27 /Flat	32 /Flat	40 /Flat	48 /Flat	56 /Flat	71 /Flat	86 /Flat
Ø I	35	38	52	60	65	79	85	100	130	156
Ø J	5	5	5	6	6	6	6	7	8	8
Max. Pressure K/I	K / I 350/175	K / I 350/175	K / I 300/150	K / I 300/150	K / I 250/125	K / I 250/125	K / I 200/100	K / I 200/100	K / I 150/75	K / I 150/75