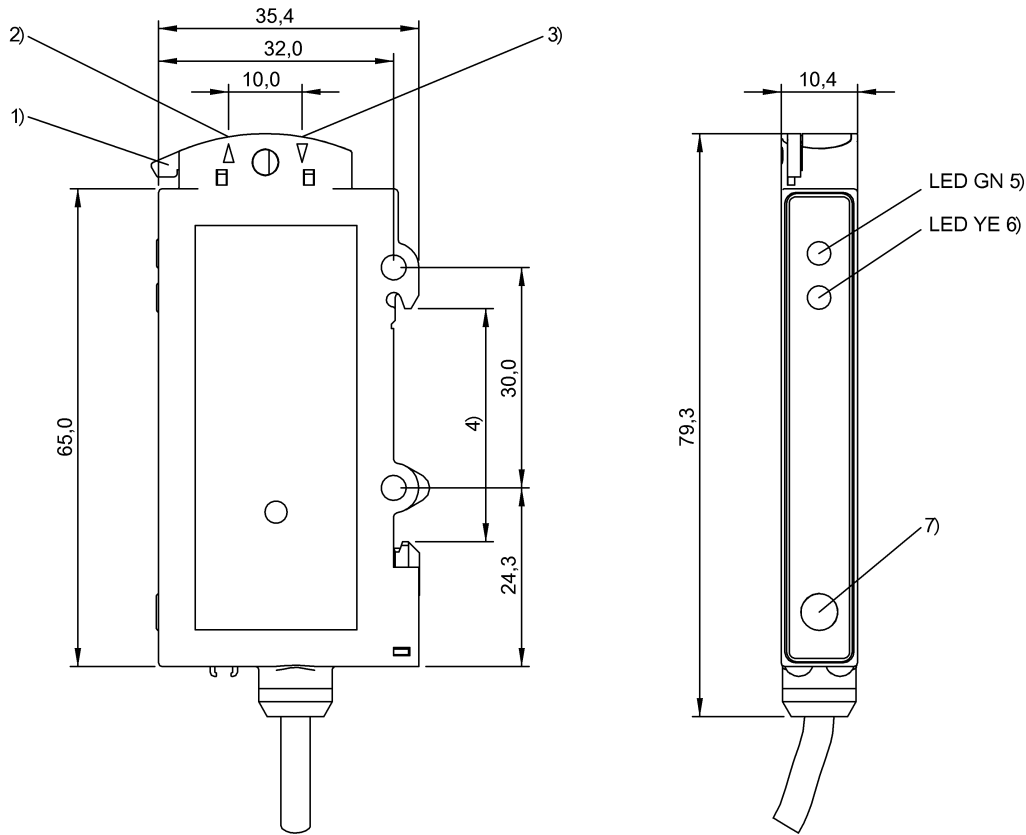


BFB 75K-001-P-02
BFB0003



1) Fiber clamp 2) Emitter 3) Receiver 4) For DIN rail 35mm 5) stability 6) Output function 7) Sn



Display/Operation

Adjuster	Key (1x)
Setting	Factory setting (Reset) Light-on/dark-on Sensitivity (Sn)

Electrical connection

Cable diameter D	4.00 mm
Cable length	2 m
Conductor cross-section	0.14 mm ²
Connection type	Cable, 2.00 m, PVC
Fiber optics connection	Ø 2.2 mm
Number of conductors	4
Polarity reversal protected	yes
Short-circuit protection	yes

Electrical data

Hysteresis H max. (% of Sr)	10.0 %
No-load current I ₀ max. at U _e	20 mA
Operating voltage U _b	10...30 VDC
Rated insulation voltage U _i	75 V DC
Rated operating current I _e DC	100 mA

Rated operating voltage U _e DC	24 V
Switching frequency	1500 Hz
Turn-off delay t _{off} max.	0.33 ms
Turn-on delay t _{on} max.	0.33 ms
Voltage drop U _d max. at I _e	2.4 V

Environmental conditions

Ambient temperature	-20...60 °C
Protection class	II
Protection type IEC 60529	IP64

Functional safety

Functional safety	no
-------------------	----

General data

Approval/Conformity	cULus CE
Basic standard	IEC 60947-5-2
Series	75K
Style	Square Straight connection

BFB 75K-001-P-02 BFB0003

Material

Housing material	ABS
Material jacket	PVC

Mechanical data

Dimension	10.4 x 35.4 x 79.3 mm
Fastening detail	Screw M3 DIN rail 35 mm

Optical data

Ambient light max.	5000 Lux
Light type	LED Red light
Principle of optical operation	depends on fiber optics
Wave length	660 nm

Output/Interface

Input function	Key disable on/off Same function as button
Switching output	PNP Normally open/Normally closed (NO/NC)

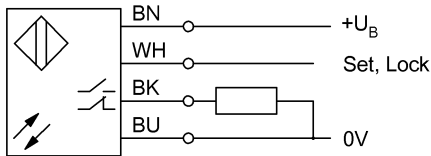
Range/Distance

Ripple max. (% of Ue)	10 %
-----------------------	------

Remarks

Order accessories separately.
For additional information, refer to user's guide.
The sensor is functional again after the overload has been eliminated.
Do not press key using a pointed tool.

Wiring Diagram



Symbols for Optoelectronic Sensors

