

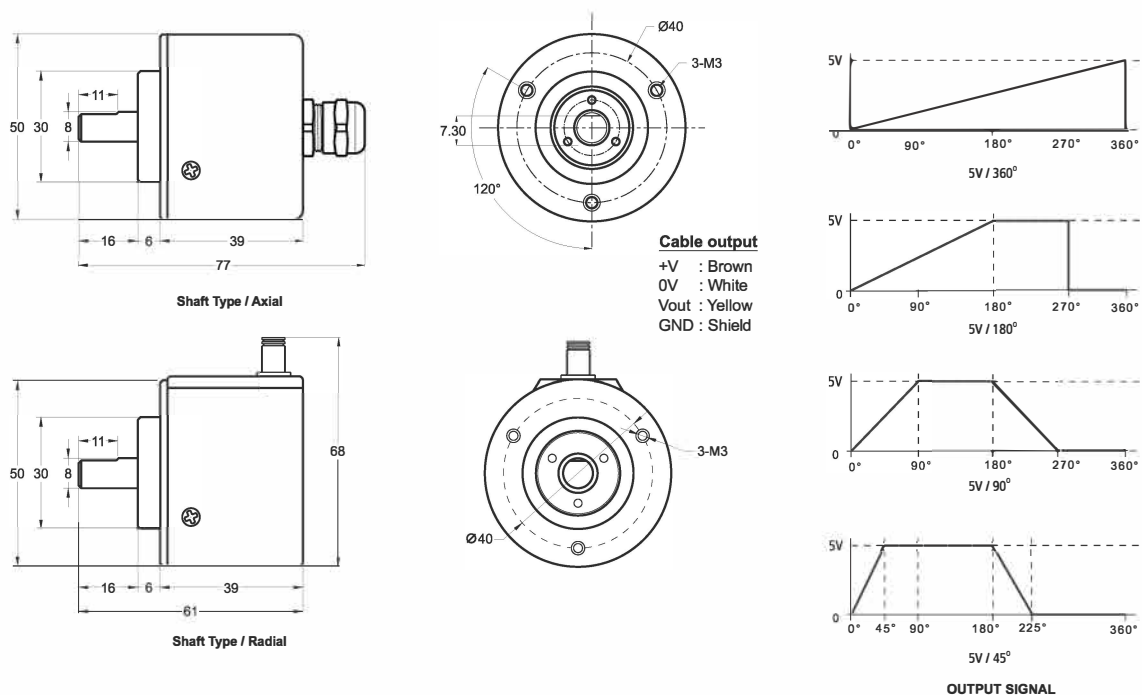
Magnetic Absolute Encoder Voltage Output

- 50 mm case diameter
- Magnetic absolute rotary encoder
- 5V/360° (Standard), 5V/45°, 90°, 180°, 10bit (Optional)
- IP 54 protection
- Can be used as contactless potentiometer



Technical Specifications

Type of Measurement	Magnetic absolute
Resolution	5V/360° (Standard) 5V/45°, 90°, 180°
Output Signal	Analogue
Output Type	Voltage Output (0 - 5 VDC)
Supply Voltage	8-24 VDC (Standard) or 5 VDC (Optional)
Power Consumption (without load)	< 40 mA (24 VDC)
Electrical Connections	2.5m Cable (Standard)
Max. Permissible Shaft Loading	Radial: 100 N Axial: 60 N
Max. Speed	1000 rpm
Shaft Diameter	Ø8 mm
Shaft Material	Stainless Steel
Case Diameter	Ø50 mm
Case Material	Aluminium / Steel
IP Degree	IP 54
Operating Temperature	-20°C ... +80°C
Storage Temperature	-30°C ... +90°C



Model	Case Diameter	Reference	Supply Voltage	Connector / Cable	Cable Output
(example) MRV	50A	5V/360°	V2	2M5	R
MRV	50A : Standard case 50AW : Water proof	5V / 360° 5V / 180° 5V / 90° 5V / 45° 10bit	V1 : 5V DC V2 : 8-24V DC	2M5 : 2,5 meter cable 5M : 5 meter cable 8M : 8 meter cable 10M : 10 meter cable	R : Radial A : Axial