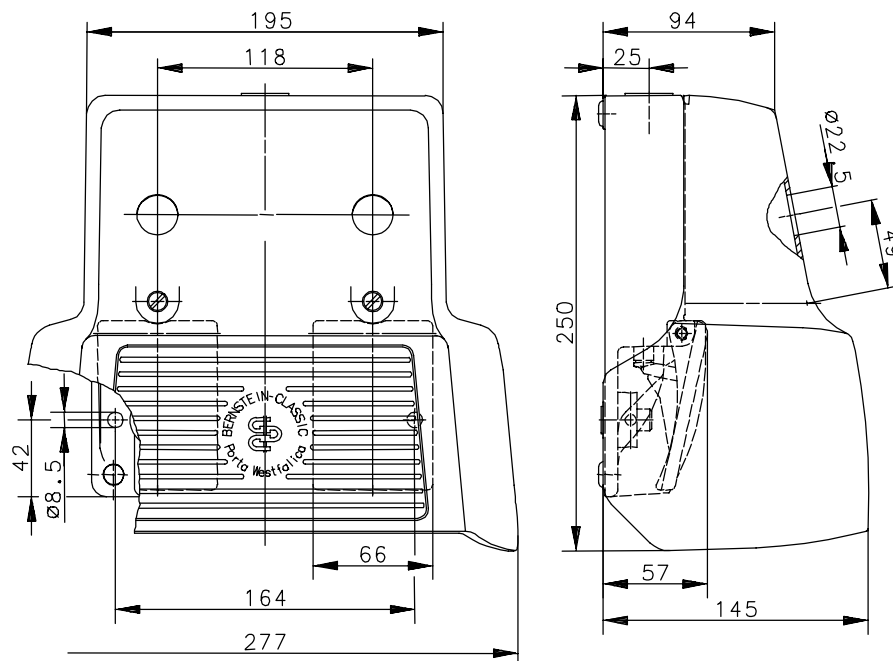


Series F2 UN

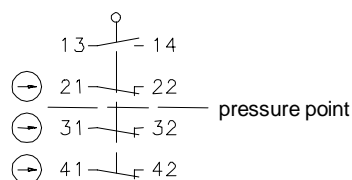
Description **F2-SU1ZA2ZD/SU1ZA2ZD UN**

Article number **6162000600**



Switching symbols

Pedal left and right



Electrical data

Rated insulation voltage	U_i	400V AC
Conv. thermal current	I_{the}	10A
Rated operational voltage	U_e	240V
Utilization category		AC-15, U_e/I_e 240V/3A
Direct opening action	\ominus	acc. to IEC/EN 60947-5-1, Annex K
Short-circuit protective device		Fuse 10A gL/gG
Protection class		I

This document will not become the contractual basis; the details included herein do not constitute any descriptions of expected conditions, so that warranties/claims for defects on account of possible variations of the actual qualities from the qualities described herein are explicitly excluded. All rights reserved. Specifications subject to change without notice!

Date of issue: 30.08.2005 / Page 1 of 2
Document: 6162000600_en / Status: 1 / 2753-05

Technical Data

Foot-switch

Mechanical data	
Enclosure	AL, die-cast
Protective guard (Accident protection cover UN)	AL, die-cast
Actuator	Foot lever (PA)
Ambient air temperature	-30°C to +80°C
Contact type	6 N.C., 2 N.O. (Zb)
Mechanical life	10x10 ⁶ operating cycles
Switching frequency	max. 50/min
Assembly	2 x M8
Connection	16 screw terminals (M3.5)
Number of connections	12 (see switching symbols)
Protection ground	2 x M4
Conductor cross-sections	Solid: 0.5 ... 1.5mm ² Litz wire with ferrules: 0.5 ... 1.5mm ²
Cable entrance	1 x M20x1,5
Weight	approx. 2,8kg
Protection type	IP65 in accordance with IEC/EN 60529
Regulations	
	VDE 0660 T100, DIN EN 60947-1, IEC 60947-1 VDE 0660 T200, DIN EN 60947-5-1, IEC 60947-5-1
EU Conformity	
	CE

Notes

The degree of protection specified (IP code) applies only to a properly closed protective guard, the use of an equivalent cable gland with adequate cable and equivalent internals in the protective guard.