

Ref. : TEA-XXN04

Rev. : D

Date : 12/11/2019

Page : 1/1

ELECTRIC ACTUATOR

TEA-XXN04



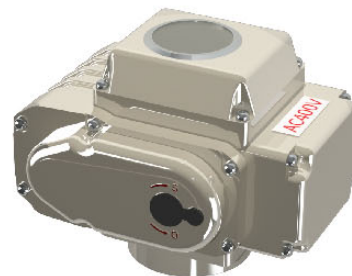
APPLICATION

General use : Actuator for 1/4 turn valve such as : butterfly valve, ball valve.

GENERAL CHARACTERISTICS

Closed asynchronous actuator with aluminium case.

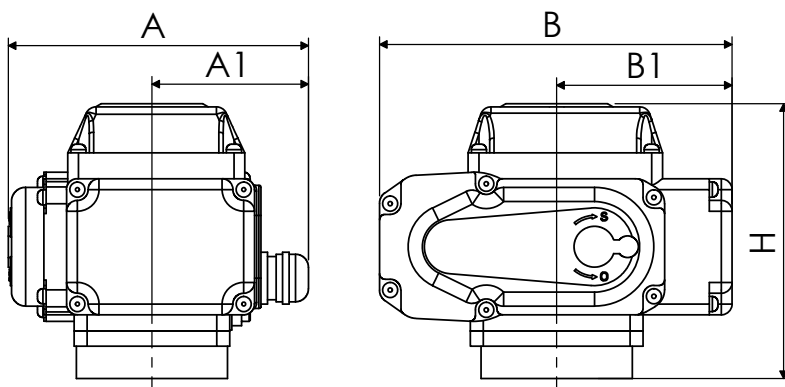
- Service : S2-35% (On/Off) 10 min~30 min
- Electrical conduit : M20x1.5 with cable gland.
- Emergency commands by amovable allen wrench.
- Connection according to ISO 5211 standard.
- Position indicator.
- Ingress protection IP67.
- 2 end switches SPDT Opening/Shutting.
- Integrated heating resistance.
- Adjustable mechanical stopper.
- Power supply : 380/400V - 3ph -50/60Hz



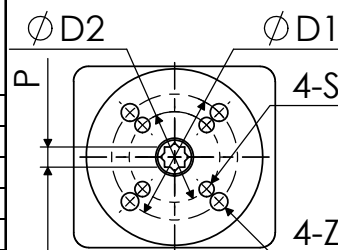
DIMENSIONS

Reference	A	A1	B	B1	H	Weight (kg)
TEA-05N04	137	74	160	77	125	2,2
TEA-10N04	145	74	208	110	160	4
TEA-20N04	170	75	258	137	196	7
TEA-40N04*	170	75	258	137	196	7,8
TEA-60N04*	170	75	258	137	196	7,8

* - With torque limiter



Reference	Connection						Power Consumption (W)	Delivered Power (W)	Intensity (A)		Execution time (sec)	Torque (Nm)
	ISO 5211	P	ØD1	ØD2	4-S	4-Z			Nominal	Starting		
TEA-05N04	F05/F07	14	50	36	4-M5	4-M6	10	39	0,15	0,75	30	50
TEA-10N04	F05/F07	17	70	50	4-M6	4-M8	23	91	0,19	0,95	30	100
TEA-20N04	F07/F10	22	102	70	4-M8	4-M10	40	155	0,25	1,25	30	200
TEA-40N04	F07/F10	27	102	70	4-M8	4-M10	90	349	0,45	2,25	30	400
TEA-60N04	F07/F10	27	102	70	4-M8	4-M10	90	349	0,45	2,25	30	600



ISO 5211 Mounting plate

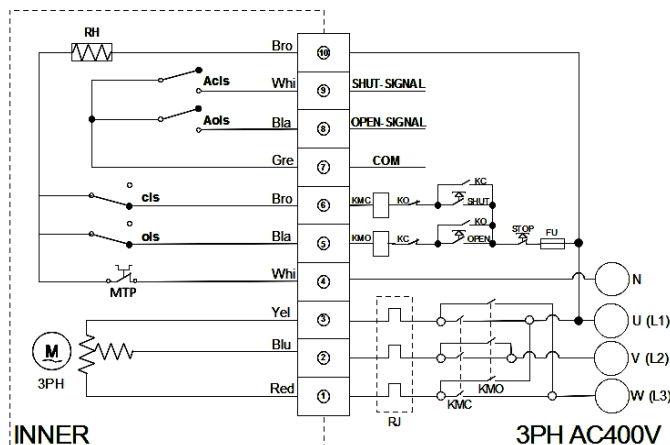
WORKING CONDITIONS

Ingress protection : IP67
Ambient temperature : -30°C / +60°C

AGREMENT AND STANDARDS

Manufacture according to the requirements of the European low voltage directive (2006/95/CE), the European machinery directive (2006/42/CE), and the European electromagnetic compatibility directive (2004/108/CE).

Connection according to ISO 5211.



Electrical diagram