

ESHE 32-200/30/P25RSSA

Technical data

Company name
Contact
Phone number
e-mail address

Operating data					
1	Pumpe type	Single head pump		Fluid	Water, pure
2	No. of pumps	1		Operating temperature t A	°C 4
3	Nominal flow	l/s	0	Max / Min Operating Temperature mech. Seal	°C 120 / -10
4	Nominal head	m	0	pH-value at t A	7
5	Static head	m	0	Density at t A	kg/m³ 1000
6	Inlet pressure	bar	0	Kin. viscosity at t A	mm²/s 1.569
7	Environmental temperature	°C	20	Vapor pressure at t A	bar 1
8	Available system NPSH	m	0	Altitude	0

Pump data							
9	Lubrication	Standard, Grease lubrication [Std]					
10	Execution						
11	Design	Horizontal		Impeller Ø	Max.	mm	195
12	Operating speed	2865 rpm	Stages 1		designed	mm	178
13	Suction nozzle	DN 50 /	PN 16 /		EN1092-1	Min.	mm
14	Discharge nozzle	DN 32 /	PN 16 /	EN1092-1	Flow	Nominal	l/s
15	Max. casing pressure	bar	12			Max-	l/s
16	Max. working pressure	bar	3.8		Min-	l/s	2.2
17	Impeller type	Radial impeller		Head	Nominal	m	
18	Head H(Q=0)	m	38		at Qmax	m	23.4
19	Max. shaft power	kW	2.9		at Qmin	m	36.2
20	Pump weight	kg		Shaft power	kW		
21	Total weight	kg	38.0	Efficiency	%		
				NPSH 3%	m		

Materials			
22		Pump	Shaft Seal
23	Pump body	Stainless steel / AISI 316L	Single mechanical seal, without shaft sleeve
24	Impeller	Stainless steel / AISI 316L	Uniten 3K
25	SEAL HOUSING	Stainless steel / AISI 316L	Mechanical seal diameter
26	Wear ring	Stainless steel / AISI 316L	22 mm
27	Counterwear ring	Stainless steel / AISI 316L	1. Rotating ring
28	Shaft extension	Stainless steel / AISI 316L	Ceramic
29	Rigid shaft coupling	Stainless steel / AISI 316	2. Stationary ring
30	Impeller locknut and washer	Stainless steel / AISI 316	Carbon graphite resin impregnated
31	Tab	Stainless steel / AISI 316L	3. Secondary seal
32	Fill/drain plugs	Stainless steel / AISI 316	Fluorine rubber (FKM)
33			4. Springs
34			CrNiMo - Steel
35			5. Others
36			CrNiMo - Steel
37			Gaskets of the pump
38			Fluorine rubber (FKM)
39			
40			
41			

Motor data			
Electrical and dimensional data refer to IE3 motor			
42	Manufacturer	Lowara PLM	
43	Specific design	IE3 3ph Flange Motor	
44	Type	PLM 90 B14 3 kW	
45	Rated power	3 kW	Rated current 6.33 A
46	Nominal speed	2865 rpm	Rated voltage 400 V
47	Frame size	90	Service factor 1
48	Weight	kg 21.0	Degree of protection IP55

Remarks	
49	
50	
50	
52	

ESHE 32-200/30/P25RSSA

Performance curve

Company name
Contact
Phone number
e-mail address

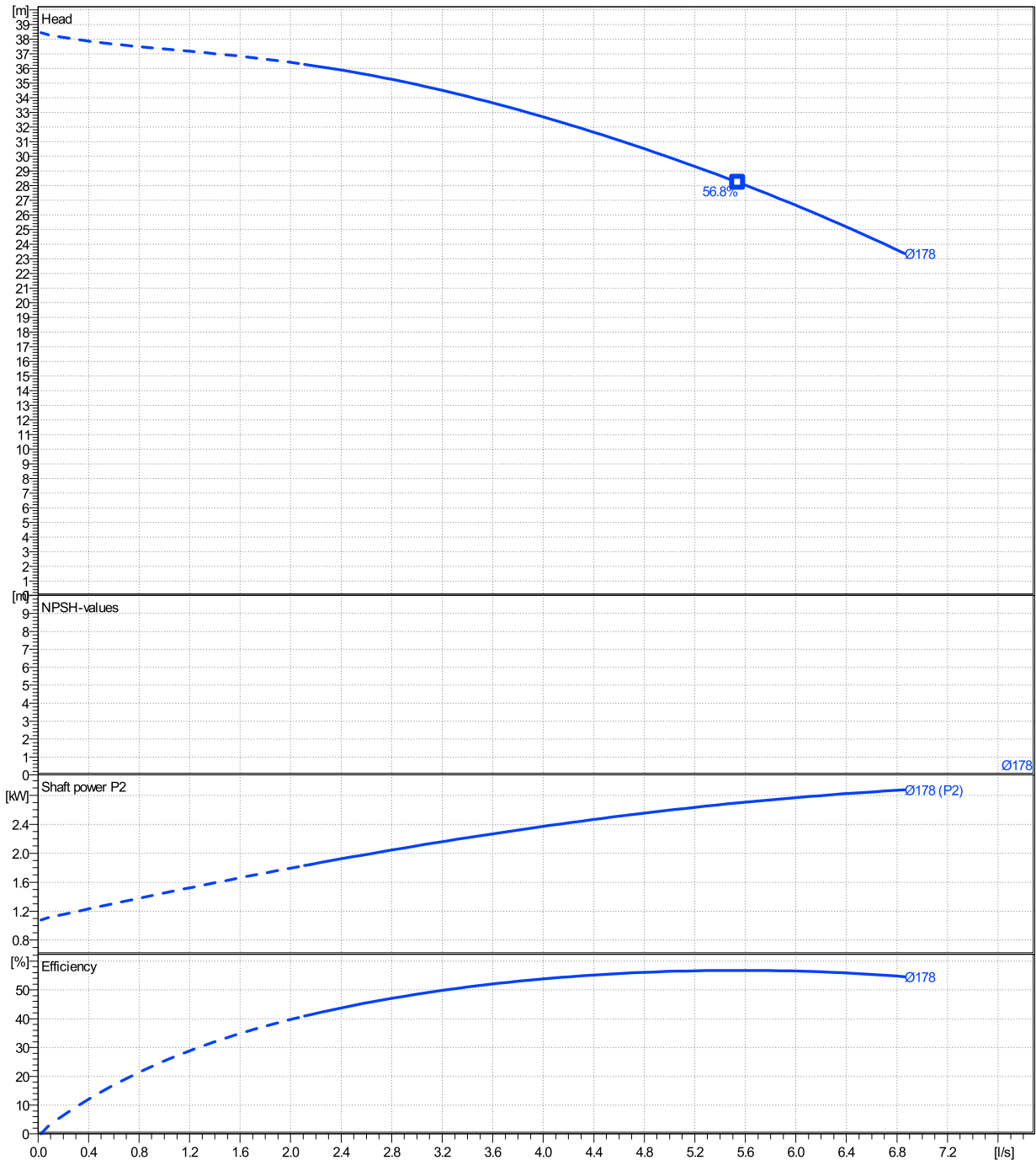
	Ø mm	Pump capacity			Pump head		Shaft power P2			Frequency	
		Min. l/s	Max. l/s	η Max. l/s	H(Q=0) m	η Max. m	P2(Q=0) kW	Max. kW	η Max. kW	Hz	
										50	
										2865	
										rpm	
										l/s	
actual	178	2.16	6.86	5.54	38.4	28.2		2.87	2.7	m	0
Min.	0	/	/	5.54	38.4	28.2		/	2.7	bar	0
Max.	195	/	/	5.82	47.8	35.1		/	3.55	m	0

Power datas referred to:

hydr. Performance acceptance acc. To EN ISO 9906 Class Grade 3B

Water, pure [100%] ; 4°C; 1000kg/m³; 1.57mm²/s

MEI: N.A - according to Ecodesign Directive 2009/125/EC and Regulation (EU) No.547/2012



ESHE 32-200/30/P25RSSA

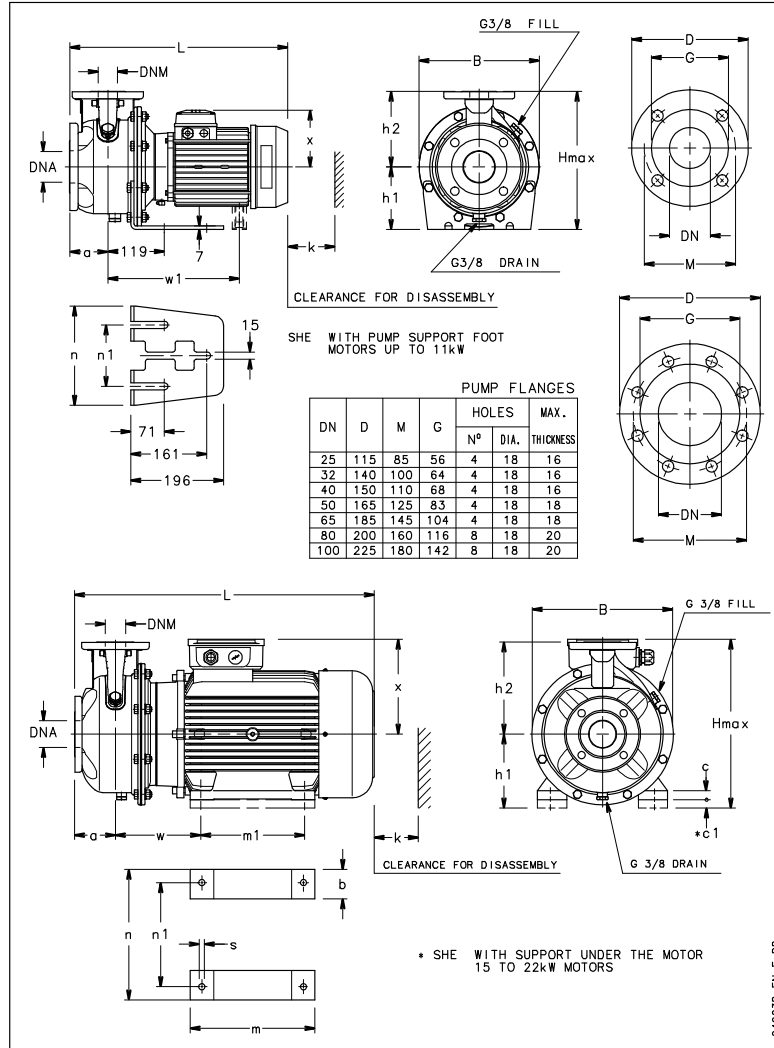
Dimensions

Company name
Contact
Phone number
e-mail address

Close coupled

PLM 90 B14 3 kW

Electrical and dimensional data refer to IE3 motor



Dimensions		[mm]	
a	80		
B	284		
DNA	50		
DNM	32		
h1	160		
h2	180		
Hmax	340		
k	98		
L	478		
n	230		
n1	130		
x	134		

Weight	
Total weight	38 kg

Connections			
Suction nozzle		Discharge nozzle	
DN 50		DN 32	
PN 16		PN 16	
EN1092-1		EN1092-1	
D	165	D	140
Dia. Holes	18	Dia. Holes	18
DN	50	DN	32
G	83	G	64
M	125	M	100
Max thickness	18	Max thickness	16

Dimensions and weight without obligation

Project	Xlect-22233725	Created by	Craig Wittingham	Last update	5/2/2024
Block	ESHE 32-200/40/P25VSSA	Created on	5/2/2024		