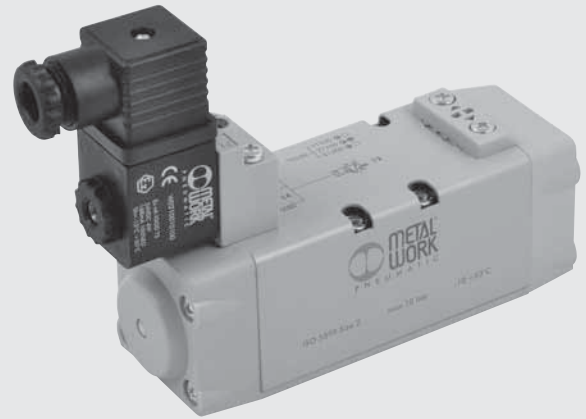


VALVES ISO 5599/1, SOLENOID/PNEUMATIC, SERIES ISV

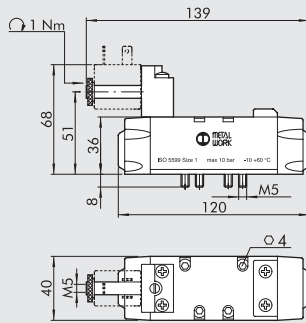
DISTRIBUTORS

VALVES ISO 5599/1, SERIES IPV-ISV

TECHNICAL DATA		ISO 1	ISO 2	ISO 3
Operating pressure:	bar			
• monostable			2.5 to 10	
• bistable			1 to 10	
• pilot-assisted			Vacuum to 10	
Minimum pilot pressure	bar		2.5	
Operating temperature range	°C		-10 to +60	
Nominal diameter	mm	7.5	12	15
Conductance C	NI/min · bar	250	657.14	971.43
Critical ratio b	bar/bar	0.36	0.25	0.43
Flow rate at 6 bar ΔP 0.5 bar	NI/min	700	1800	3200
Flow rate at 6 bar ΔP 1 bar	NI/min	1100	2700	4600
TRA / TRR monostable at 6 bar	ms	24 / 50	39 / 60	50 / 120
TRA / TRR bistable at 6 bar	ms	20 / 20	25 / 25	35 / 35
Solenoid pilot		Standards CNOMO		
Manual		Bistable on solenoid pilot Monostable on valve body		
Coils		30 mm side DIN 43650 Form A – ISO 22 mm side		
Maximum coil nut torque	Nm		1	

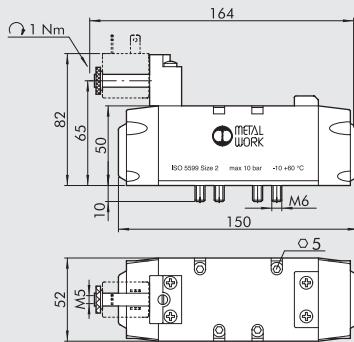


MONOSTABLE 5/2 ISO 1



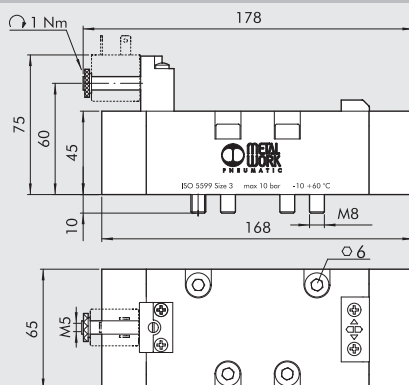
Symbol	Code	Abbrev.	Weight [g]
	7051021100	ISV 55 SOS OO	344
	7051021400	ISV 55 SES OO	344

MONOSTABLE 5/2 ISO 2



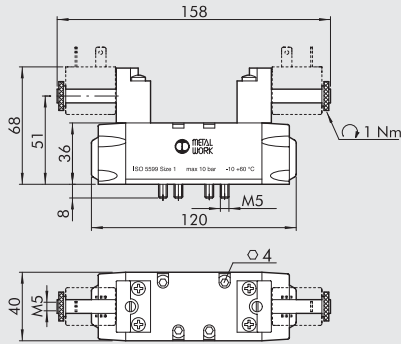
Symbol	Code	Abbrev.	Weight [g]
	7052021100	ISV 65 SOS OO	715
	7052021400	ISV 65 SES OO	715

MONOSTABLE 5/2 ISO 3



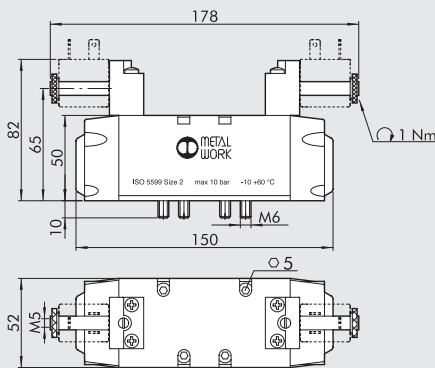
Symbol	Code	Abbrev.	Weight [g]
	7056021100	ISV 75 SOS OO	1207
	7056021400	ISV 75 SES OO	1207

BISTABLE 5/2 ISO 1 - MONOSTABLE 5/3 ISO 1



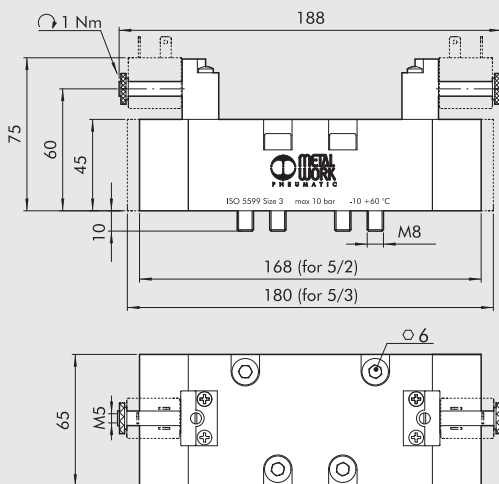
Symbol	Code	Abbrev.	Weight [g]
	7051021200	ISV 55 SOB OO	388
	7051021300	ISV 55 SOD OO	375
	7051022100	ISV 56 SOS CC	372
	7051022200	ISV 56 SOS OC	372
	7051022300	ISV 56 SOS PC	372
	7051021500	ISV 55 SEB OO	388
	7051021600	ISV 55 SED OO	375
	7051022400	ISV 56 SES CC	372
	7051022500	ISV 56 SES OC	372
	7051022600	ISV 56 SES PC	372

BISTABLE 5/2 ISO 2 - MONOSTABLE 5/3 ISO 2



Symbol	Code	Abbrev.	Weight [g]
	7052021200	ISV 65 SOB OO	740
	7052021300	ISV 65 SOD OO	710
	7052022100	ISV 66 SOS CC	720
	7052022200	ISV 66 SOS OC	720
	7052022300	ISV 66 SOS PC	720
	7052021500	ISV 65 SEB OO	740
	7052021600	ISV 65 SED OO	710
	7052022400	ISV 66 SES CC	720
	7052022500	ISV 66 SES OC	720
	7052022600	ISV 66 SES PC	720

BISTABLE 5/2 ISO 3 - MONOSTABLE 5/3 ISO 3



Symbol	Code	Abbrev.	Weight [g]
	7056021200	ISV 75 SOB OO	1230
	7056021300	ISV 75 SOD OO	1230
	7056022100	ISV 76 SOS CC	1355
	7056022200	ISV 76 SOS OC	1355
	7056022300	ISV 76 SOS PC	1355
	7056021500	ISV 75 SEB OO	1230
	7056021600	ISV 75 SED OO	1230
	7056022400	ISV 76 SES CC	1355
	7056022500	ISV 76 SES OC	1355
	7056022600	ISV 76 SES PC	1355

DISTRIBUTORS

VALVES ISO 5599/1, SERIES IPV-ISV