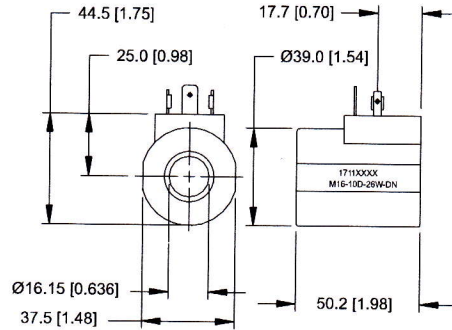




**TERMINALS**  
(continued)

**ISO 4400 (DIN 43650)**  
Code DN

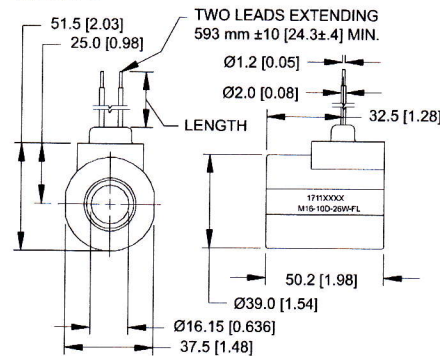


**Part numbers**

Voltage (V)	Power (W)	Part Number
10 VDC	26	M16-10D-26W-DN
12 VDC	26	M16-12D-26W-DN
20 VDC	26	M16-20D-26W-DN
24 VDC	26	M16-24D-26W-DN
110 VAC*	22	M16-110A-22W-DN
220 VAC*	20	M16-220A-20W-DN

\*External rectifier needed

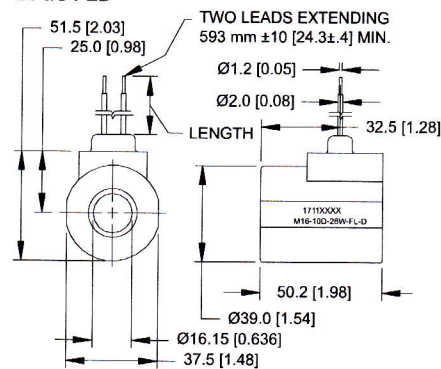
**Lead wires**  
Code FL



**Part numbers**

Voltage (V)	Power (W)	Part Number
10 VDC	26	M16-10D-26W-FL
12 VDC	26	M16-12D-26W-FL
20 VDC	26	M16-20D-26W-FL
24 VDC	26	M16-24D-26W-FL

**Lead wires w/diode**  
Code FLD



**Part numbers**

Voltage (V)	Power (W)	Part Number
10 VDC	26	M16-10D-26W-FLD
12 VDC	26	M16-12D-26W-FLD
20 VDC	26	M16-20D-26W-FLD
24 VDC	26	M16-24D-26W-FLD

CL - Coils  
M16