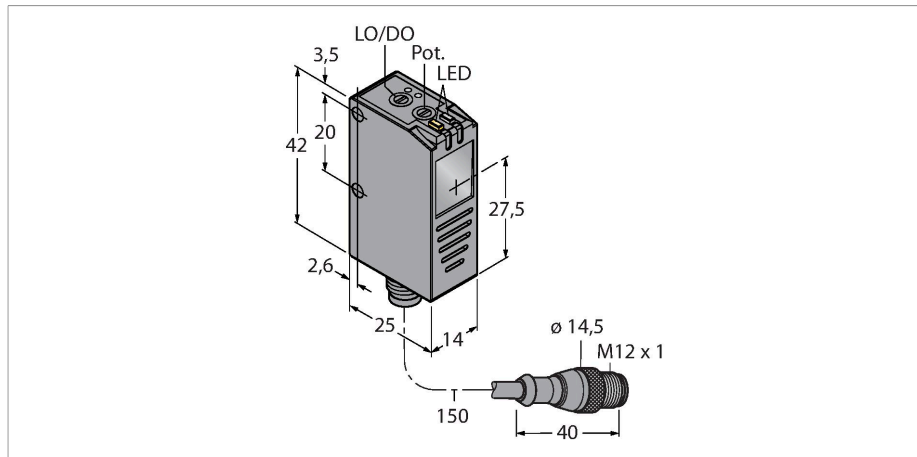


Q26PXL PQ5

Photoelectric Sensor – Retroreflective Sensor with Polarizing Filter

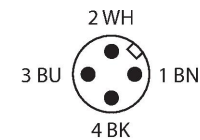
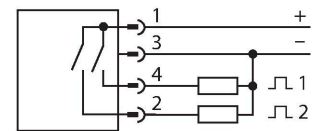
For Clear Object Detection



Features

- Cable with male end M12 × 1, 4-pin
- Protection class IP67
- Light or dark operation, adjustable
- Sensitivity adjusted via potentiometer
- Coaxial optics, reduced blind zone
- Operating voltage: 10...30 VDC
- PNP switching output
- Switching output for insufficient excess gain

Wiring diagram



Technical data

| | |
|-----------------------------|--|
| Type | Q26PXL PQ5 |
| ID | 3017131 |
| Optical data | |
| Function | Retroreflective Sensor |
| Operating mode | Polarized (coaxial) |
| Light type | Red |
| Wavelength | 660 nm |
| Range | 5...800 mm |
| Electrical data | |
| Operating voltage | 12...30 VDC |
| Residual ripple | < 10 % U _{ss} |
| No-load current | ≤ 15 mA |
| Short-circuit protection | yes |
| Reverse polarity protection | yes |
| Output function | NO contact, dark operation, PNP |
| Switching frequency | 4 kHz |
| Readiness delay | ≤ 0 ms |
| Response time typical | < 0.25 ms |
| Setting option | Potentiometer |
| Mechanical data | |
| Design | Rectangular, Q26 |
| Dimensions | 25 x 14 x 42 mm |
| Housing material | Plastic, Thermoplastic material, Black |
| Lens | glass, Glass |

Functional principle

The Q26 is a retroreflective sensor for the detection of light, transparent and also opaque objects. The sensor is perfectly suited for the detection of PET bottles, glass jars, reflecting surfaces, LCD glasses or even semiconductor wafers. In addition to a coaxial optics, the sensor is also equipped with an auxiliary output that switches when excess gain is outside the normal range. The sensitivity is adjusted via potentiometer, in order to distinguish green from transparent bottles for example. Light or dark operation is adjusted via rotary switch.

Technical data

| | |
|------------------------|--|
| Electrical connection | Cable with connector, M12 × 1, 0.15 m, PVC |
| Number of cores | 4 |
| Ambient temperature | -10...+55 °C |
| Protection class | IP67 |
| Special features | Clear object detection |
| Power-on indication | LED, Green |
| Switching state | LED, Yellow |
| Excess gain indication | LED |
| Tests/approvals | |
| Approvals | CE, cULus listed |

Accessories

| | | | |
|------------------|--|--------------------|---|
| SMBLSTQ26 | 3019506 | SMBLSTDLQ26 | 3018180 |
| | Mounting bracket, stainless steel, for Q26 | | Mounting bracket, stainless steel, rectangular, for Q26 |

Accessories

| Dimension drawing | Type | ID | |
|-------------------|---------------|---------|--|
| | RKC4.4T-2/TEL | 6625013 | Connection cable, female M12, straight, 4-pin, cable length: 2 m, sheath material: PVC, black; cULus approval; other cable lengths and qualities available, see www.turck.com |
| | WKC4.4T-2/TEL | 6625025 | Connection cable, female M12, angled, 4-pin, cable length: 2 m, sheath material: PVC, black; cULus approval; other cable lengths and qualities available, see www.turck.com |

Accessories

| Dimension drawing | Type | ID | |
|-------------------|------------|---------|---|
| | BRT-60X40C | 3044997 | Rectangular reflector, reflection coefficient 1.48, material: acrylic, ambient temperature -20...+60 °C |

