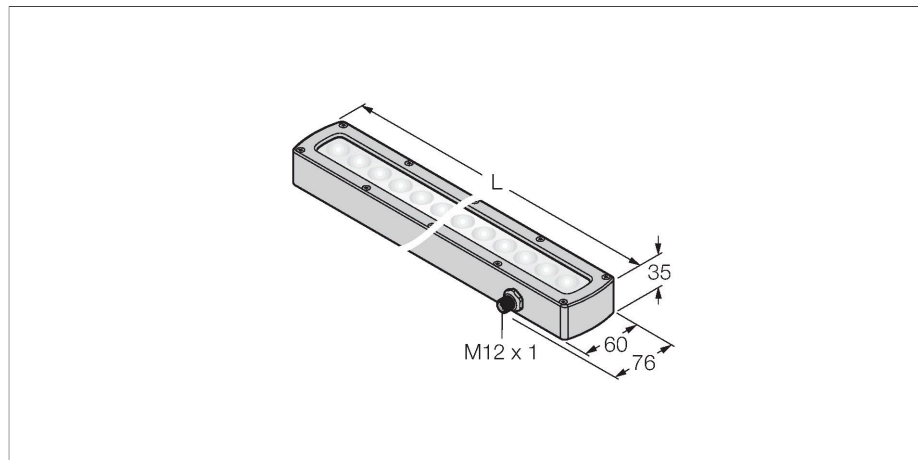


# LEDGLA290AD6-XQ

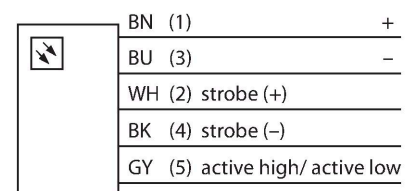
## Vision System – Linear Area Light



### Features

- High-Intensity
- Protection class: IP68
- Color: green
- Power supply: 24 VDC
- M12 x 1 male

### Wiring diagram



### Technical data

|                                    |                               |
|------------------------------------|-------------------------------|
| Type                               | LEDGLA290AD6-XQ               |
| ID                                 | 3015499                       |
| <b>Signal and display data</b>     |                               |
| Purpose                            | Image processing              |
| Function                           | Linear light                  |
| Light type                         | Green                         |
| Wavelength                         | 520...535 nm                  |
| Beam angle                         | 6.5°                          |
| LED service life (L70)             | 50000 h                       |
| Features of color 1                | Green                         |
| Special features                   | Wash down                     |
| <b>Electrical data</b>             |                               |
| Operating voltage                  | 24 VDC                        |
| DC rated operational current       | ≤ 1000 mA                     |
| Max. current consumption per color | 1000 mA                       |
| <b>Mechanical data</b>             |                               |
| Design                             | Rectangular                   |
| Dimensions                         | 328 x 76 x 34.9 mm            |
| Housing material                   | Metal, Nickel-plated aluminum |
| Window material                    | Plastic, diffuse              |
| Electrical connection              | Connector, M12 × 1, PVC       |
| Number of cores                    | 5                             |
| Ambient temperature                | 0...+50 °C                    |
| Protection class                   | IP68                          |
| <b>Tests/approvals</b>             |                               |
| Approvals                          | CE, cULus listed              |

### Functional principle

High-intense illumination of large areas at long distances.

