



DATA SHEET

Customer:	
Ref.:	
Order:	
Motor:	
Serial nr:	
Date:	20-05-2019

ASYNCHRONOUS MOTOR 4A 90L-4

Nameplate data:

Code: 112294

Type:	4A 90L-4				IP55	F/B	Amb. temp.: Max. 40°		
kW	Hz	V	A	Rpm	Cos	Eff.	Duty	IE.class	
1,50	50	380-415 D	3,53	1400	0,78	78,5%	S1	IE1-(Eff2)	
1,50	50	690 Y	2,05	1400	0,78	78,5%			
1,80	60	440-480 D	3,68	1680	0,78	78,5%			

Description:

Mounting form:	B3/B14
Bearing DE:	6205-2Z/C3
Bearing NDE:	6205-2Z/C3
Weight - Kg.:	14,7
Heater:	No Heater
PTC:	No PTC
Kgm ² :	0,0027
Sound press.-db(A):	52,0

Other:

Test data S1-duty, Amb.temp 40°C:

Voltage - V:	400
Frequency - Hz:	50
Power - kW:	1,50
Full load speed - Rpm:	1400
Full load current - A:	3,53
Full load power factor - Cos:	0,78
Locked rotor current - A:	21,2
Locked rotor factor - A_{st}/A_n :	6,0

Efficiency 100% load - %:	78,5%
Efficiency 75% load - %:	
Efficiency 50% load - %:	
Full load torque - Nm:	10,2
Locked rotor torque - Nm:	23,5
Locked rotor torque - Nm_{st}/Nm_n :	2,3
Max. Pull out torque - Nm:	23,5
Max. Pull out torque. - Nm_{st}/Nm_n :	2,3

Over load/speed test	kW	Hz	V	A	Rpm
Over load 160% - 15sec.	2,40	50	400	5,65	1400
Over speed 125% - 2 min.	1,5	63	400	3,53	1750
H-Pot test voltage: 1800V			Temp. rise in stator:		

The motor is produced in accordance with following harmonized standards:

IEC60034-1, IEC60034-2, IEC60034-5, IEC60034-6, IEC60034-7, IEC60034-8, IEC60034-9
IEC60034-12, IEC60034-14, IEC60034-30, IEC60072.

Additional specifications in accordance with:

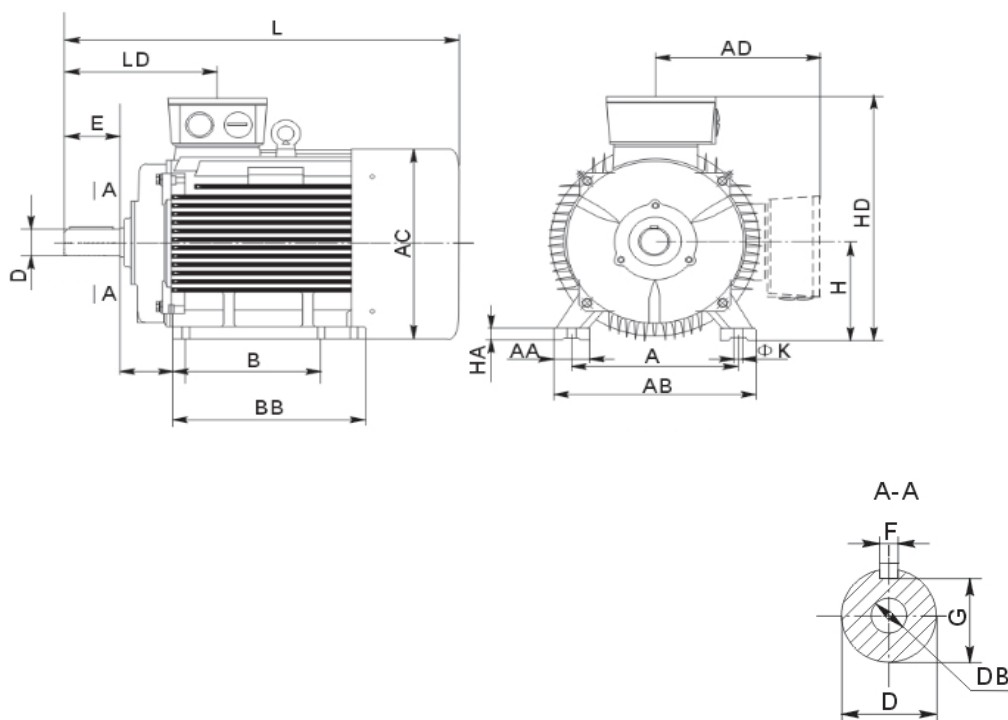
RINA - GL - LRS - BV - DNV - ABS - KR - RR - CCS - CCC - RMRS.



DATA SHEET

Customer:	
Ref.:	
Order:	
Motor:	
Serial nr:	
Date:	20-05-2019

Foot mounted motor 4A 90L-4 B3



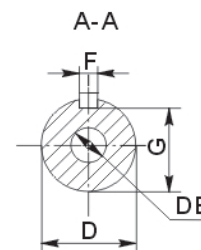
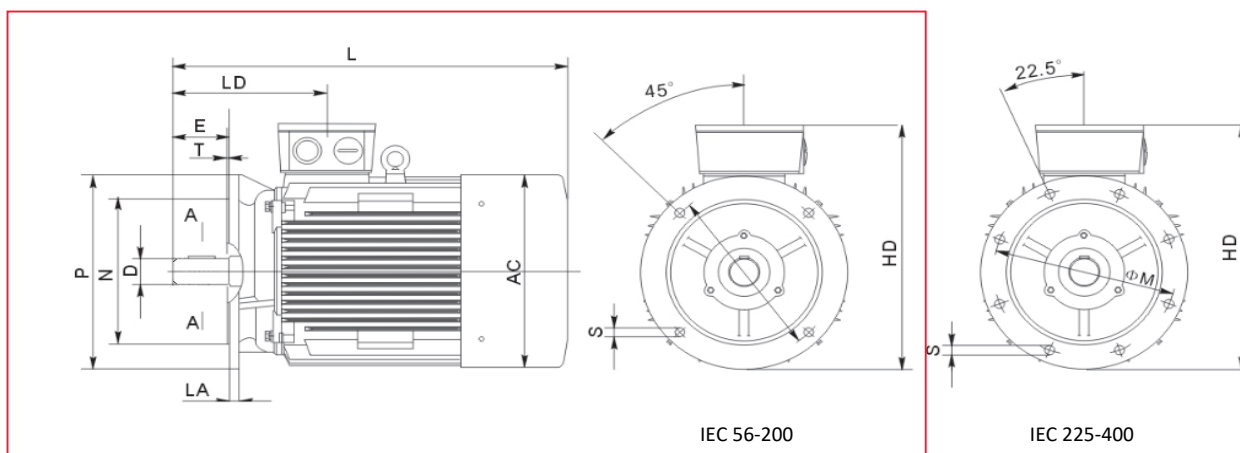
A: 140	HD: 230	E: 50
B: 125	C: 56	D: 24
AB: 180	H: 90	G: 20
AC: 195	K: 10	DB: M8
AD: 140	L: 340	F: 8
LD: 125	L (V1): 390	



DATA SHEET

Customer:	
Ref.:	
Order:	
Motor:	
Serial nr:	
Date:	20-05-2019

**Flange mounted motor
4A 90L-4 B5**



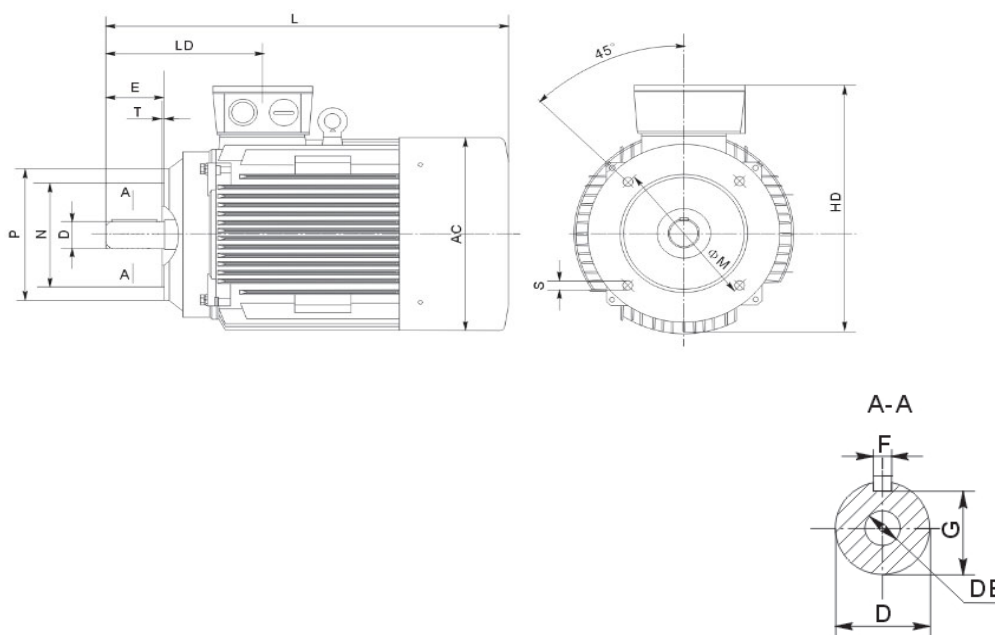
M: 165	HD: 230	E: 50
N: 130	L: 340	D: 24
P: 200	L (V1): 390	G: 20
S: 12	LD: 125	DB: M8
		F: 8



DATA SHEET

Customer:	
Ref.:	
Order:	
Motor:	
Serial nr:	
Date:	20-05-2019

Flange mounted motor 4A 90L-4 B14A + (B14B)



Flange type: B14A

M: 115
N: 95
P: 140
S: M8

B14B

130
110
160
M8

HD: 230
L: 340
L (V1): 390
LD: 125

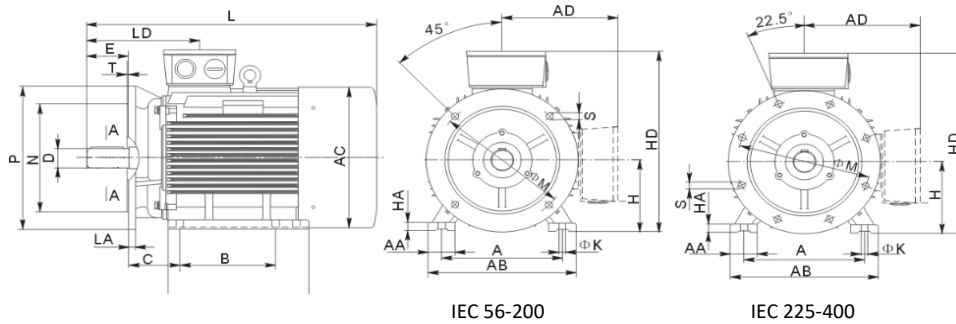
E: 50
D: 24
G: 20
DB: M8
F: 8



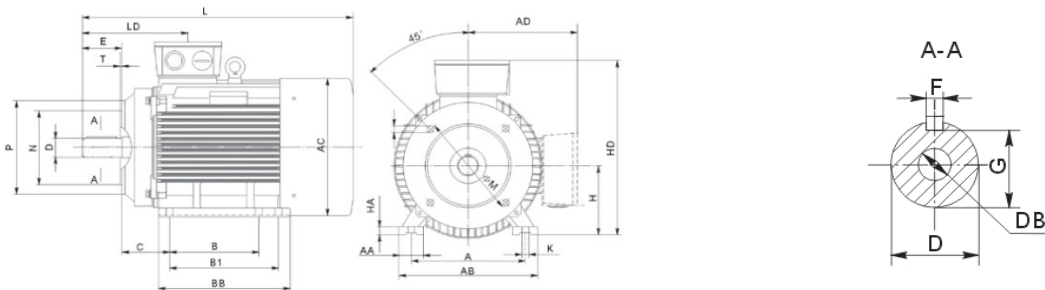
Customer:	
Ref.:	
Order:	
Motor:	
Serial nr:	
Date:	20-05-2019

DATA SHEET

Foot & flange mounted motor 4A 90L-4 B3/B5



4A 90L-4 B14A + (B14B)



Flange type: B5

M: 165
N: 130
P: 200
S: 12

B14A

M: 115
N: 95
P: 140
S: M8

(B14B)

M: 130
N: 110
P: 160
S: M8

A: 140
B: 125
AB: 180
AC: 195
AD: 140
LD: 125

HD: 230
C: 56
H: 90
K: 10
L: 340
L (V1): 390

E: 50
D: 24
G: 20
DB: M8
F: 8