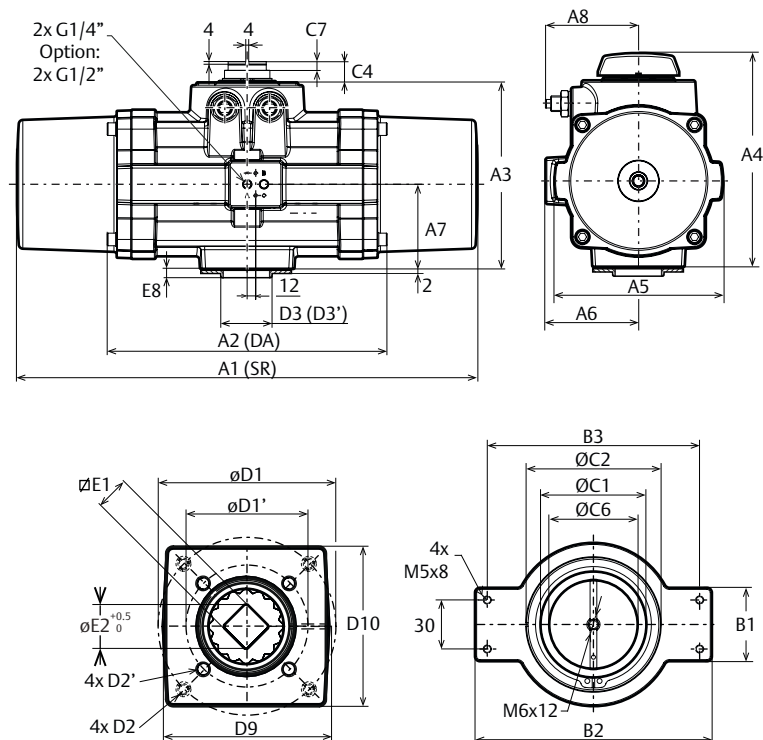


Data sheet F 950

Metric - DIN3337



Principle	
Pneumatic rack & pinion actuator	
General data	
Bore	190.0 mm
Stroke	56.5 mm
Weight	DA 26.0 kg
	SR 41.0 kg
Volume	Port A 4.9 L
	Port B 4.6 L
Air connection	2x 1/4" BSP
Pressure range	MOP 8.3 barg
	SR 3-8.3 barg
	DA 0.2 - 8.3 barg
Pressure media	Clean, dry or lubricated air or inert gas.
Cycle speed DA ⁽²⁾	Open 2.4 Sec.
	Close 2.0 Sec.
Cycle speed SR ⁽²⁾	Open 6.6 Sec.
	Close 2.2 Sec.
Temperature range	-20°C to +80°C
Lubrication	Lubricated for life ⁽¹⁾
Stroke	90°
Over / Under travel	+3° / -3° at each end
Finish	Polyurethane powder coat

1. According EN 15714-3.
2. Test conditions:
Solenoid with flow capacity: 0.6 m³/hr; Pipe diameter: 6mm; Medium: clean air, Supply pressure: 5.5 barg ~ 80psig; Load: with average load; Stroke: 90°; Temperature: Room temperature
3. Dimensions D1, D2 und D3 are standard. Dimensions D1', D2' und D3' are optional.
4. DA = Double Acting, SR = Spring Return

Dim. in mm		Size 950							
A1	A2	A3	A4	A5	A6	A7	A8	E1	Max.
658	400	268	305	239	131	121	131	36,16	
B1	B2	B3	C1	C2	C3	C4	C5	E1	Min.
45	145	130	65	83	36	30	10	36,00	
D1	D2	D3	D1'	D2'	D3'	D9	D10	E2	
140	M16x25	100	102	M10x15	-/-	135	130	58.2	

Torque Output (N.m)																				
Spring Return																				
Spring set	Spring Stroke Torque		Air Stroke Torque (N.m)																	
			2.0 barg		3.0 barg		4.0 barg		4.5 barg		5.0 barg		5.5 barg		6.0 barg		7.0 barg		8.0 barg	
	Start	End	Start	End	Start	End	Start	End	Start	End	Start	End	Start	End	Start	End	Start	End		
10	121	77	285	231	481	427	677	623	775	721	873	819	971	917	1069	1015	1265	1211	1461	1407
20	242	155	189	80	385	276	581	472	679	570	777	668	875	766	973	864	1169	1060	1365	1256
30	363	232	-	-	288	125	484	321	582	418	680	516	778	614	876	712	1072	908	1268	1104
40	484	309	-	-	-	-	387	169	485	267	583	365	681	463	779	561	975	757	1171	953
50	605	387	-	-	-	-	-	-	389	116	487	214	585	312	683	410	879	606	1075	802
60	726	464	-	-	-	-	-	-	-	-	390	63	488	161	586	259	782	455	978	651
Double acting			368		557		746		840		935		1029		1124		1312		1501	

Notes:

- Volume is the actual free air volume at 1 atm
- Flange and square drive to ISO 5211
- Solenoid mounting interface according to VDI/VDE 3845 (NAMUR)
- For further information regarding options, materials, certifications and additional execution please contact your regional sales office

European Directives:

- Suitable for use with group 2 gases according to Pressure Equipment Directive (PED) 2014/68/EU
- Suitable for use in hazardous areas classified II 2 GD, zones 1 or 2 (gases) and 21 or 22 (dust) according to ATEX Directive 2014/34/EU
- For the configuration code please consult EFG.02.01.EN