

THIS DOCUMENT CONTAINS PROPRIETARY DATA OF POLARIS INDUSTRIAL ENTERPRISES, INC. NO DISCLOSURE, REPRODUCTION, OR USE OF ANY PART THERE OF MAY BE MADE EXCEPT BY WRITTEN PERMISSION.

REV.	BY	DATE	APPRVL.	P/N
C	DMS	1-12-98	BT	ADDED LCP15" T" CALLOUT.

LCP15

ELECTRICAL

RESISTANCE RANGE --- SEE CHART
 RESISTANCE TOLERANCE --- ±10%
 LINEARITY, INDEPENDENT --- SEE CHART
 RESOLUTION --- ESSENTIALLY INFINITE
 MINIMUM RESISTANCE --- 1 OHM OR 0.1%
 STROKE --- SEE CHART
 OUTPUT SMOOTHNESS --- <0.1% AGAINST INPUT VOLTAGE
 POWER RATING @40°C --- SEE CHART
 INSULATION RESISTANCE --- 1000 MEGOHMS AT 1000 VDC
 DIELECTRIC STRENGTH --- 1 MIN @ 1000VAC
 CONTACT RESIS. VARIATION --- BELOW 2% C.R.V.

MECHANICAL

STROKE --- SEE CHART
 STOP STRENGTH --- 2.2 LBS. MIN.
 FRICTION --- BELOW 30 GRAMS
 LIFE --- 20,000,000 STROKES

ENVIRONMENTAL

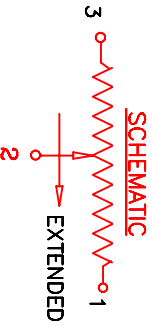
OPERATING TEMPERATURE RANGE --- 30°C TO 105°C
 TEMPERATURE COEFFICIENT --- 400 PPM/°C
 VIBRATION --- 10HZ TO 2,000HZ 15G
 MOISTURE RESISTANCE --- 40°C 95%RH 120 HOURS
 SHOCK --- 50G 11ms

MATERIALS

HOUSING --- THERMO-SETTING PLASTIC
 SHAFT --- STAINLESS STEEL
 TERMINALS --- GOLD PLATED
 RESISTIVE ELEMENT --- CONDUCTIVE PLASTIC

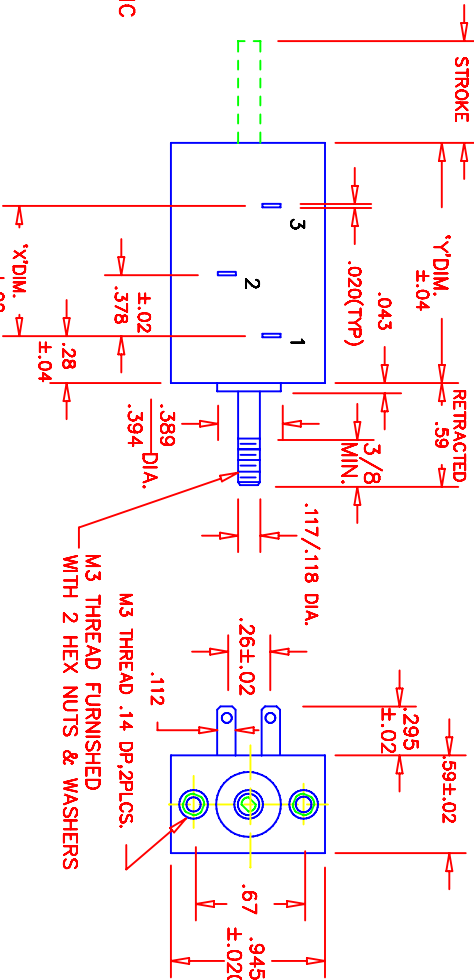
NON-STANDARD OPTIONS

SPECIAL RESIS. & LINEARITY --- NOTE:
 MACHINED SHAFTS --- TERMINALS ACCEPT AMP #110
 SPRING RETURN --- CONNECTORS.



DIMENSION TABLE

DASH NO.	APPROX MECHANICAL WEIGHT	MECHANICAL STROKE	ELEC. STROKE	RESIS. RANGE	STANDARD LINEARITY	PRECISION	'Y'	'X'	POWER RATING
-10	1 OZ.	.394	±.020	500/10K	± 2%	±1%	1.46	.787	0.2 WATTS
-15	1 OZ.	.590		500/10K	± 1%	±0.5%	1.46	.787	0.3 WATTS
-20	1 OZ.	.787		500/10K	1%	0.5%	2.05	1.378	0.4 WATTS
-30	1 OZ.	1.181		500/10K	1%	0.5%	2.05	1.378	0.5 WATTS



MODEL NO'S.

SHAFT STYLES

MODEL NO'S.	SHAFT STYLES
LCP15P-(STROKE)-(RES.) (P)	PLAIN
LCP15C-	CHAMFERED
LCP15S-	SPRING RETURN (INTERNAL)
LCP15T-	THREADED

TOLERANCES
 XX = +/- .010" FRACT. = +/- 1/64"
 XXX = +/- .005" ANGLES = +/- 1/2"
 ALL SPECIFICATIONS SUBJECT TO CHANGE WITHOUT NOTICE.

SCALE	DATE: 11-6-88
NONE	BY
CODE	APPRVD
IDENT: 19477	BT



TITLE
 LINEAR MOTION
 POTENTIOMETER

PART NO.
 LCP15