

1

2

3

4

5

6

MARK	REVISIONS NO	REASONABLE REVISIONS	DATE	DWN	APVD

A

A

B

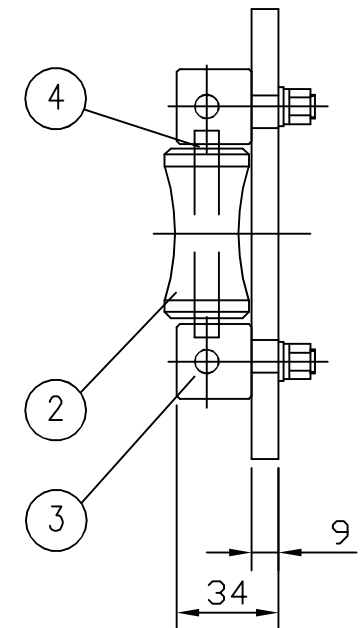
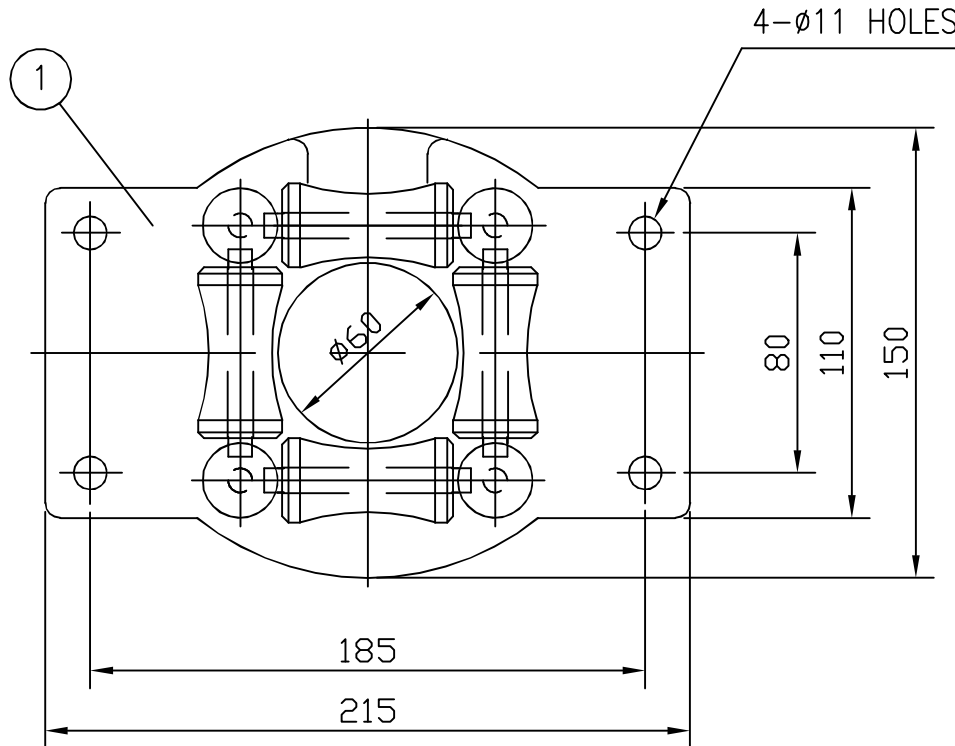
B

C

C

D

D



4		ROLLER PIN	S45C	4	Ø8 x 70L
3		ROLLER BRACKET	S45C	4	Ø25 x 25L
2		ROLLER	MC	4	Ø28 X 56.5L
1		ROLLER PLATE	SS41	1	215x150x9
ITEM 순번	PARTS NO. 품번	PART NAME 품명	MATERIAL 재질	Q'TY 수량	REMARKS 비고
PROJECTION 3rd ANGLE		DIMENSIONS METRIC (mm)		SCALE 1 : 25	MODEL SK-GV1
CUSTOMER 고객사		MODEL COLOR 제품 색상			PART NAME ASS'Y
		백색도금(ROLLER 제외)			PART NO. V010-2000
	DRAWING	DESIGN	CHECK	APPROVAL	
SIGN					
DATE					



A4(210X297)