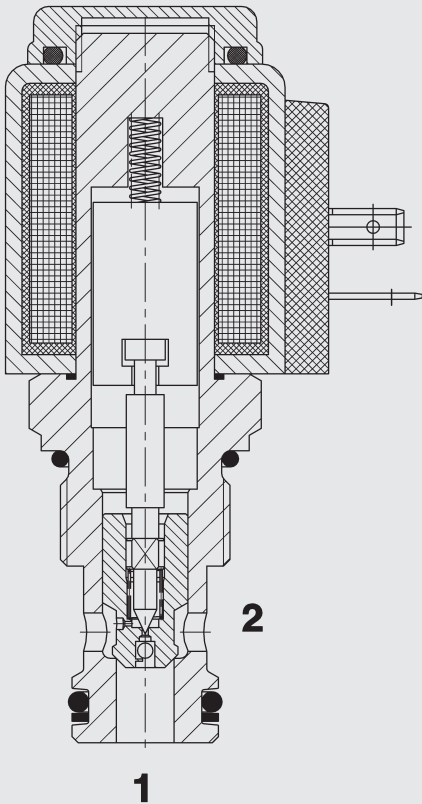


up to 75 l/min
up to 350 bar

FUNCTION



The directional valve is a pilot operated valve in poppet style.
When the solenoid coil is not energized, the valve is closed from port 2 to port 1. Flow is permitted from port 1 to port 2.
When energized the valve allows flow in both directions.
Please mind: In pilot operated solenoid valves, shift performance and response times depend i.a. very much on pressure drop and volume flow during actuation.

2/2 Solenoid Directional Valve Poppet Type, Pilot Operated Normally Closed (Reverse Flow) Metric Cartridge Valve – 350 bar WSM10120ZR-01

FEATURES

- Coil seals protect the solenoid system
- Wide variety of connectors available
- Excellent switching performance by high power HYDAC solenoid
- Exposed surfaces zinc-nickel plated for increased corrosion protection (1.000 h Salt spray test)

SPECIFICATIONS*

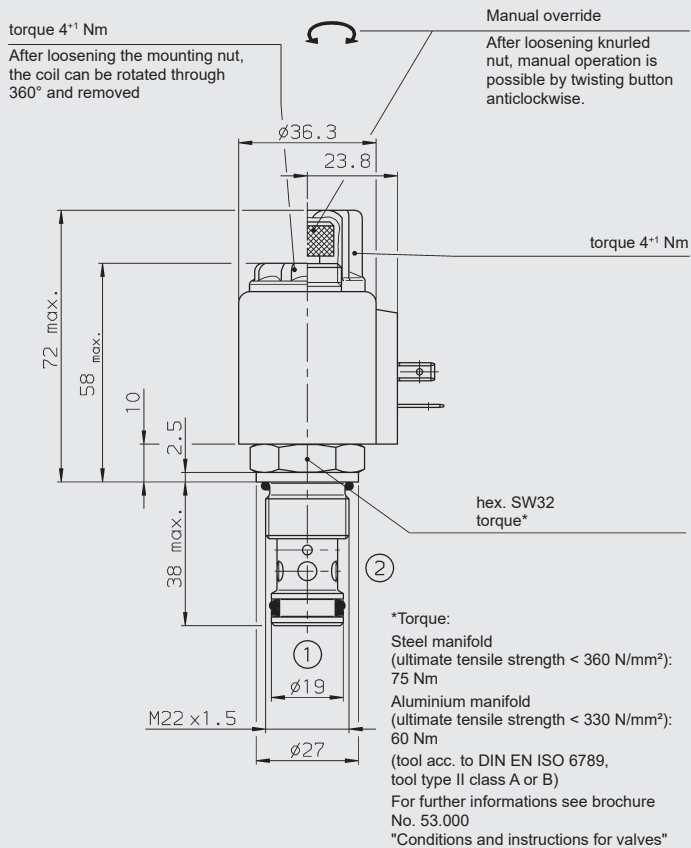
Operating pressure:	max. 350 bar
Nominal flow:	max. 75 l/min
Internal leakage:	Leakage-free max. 5 drops/min (0,25 cm ³ /min) at 350 bar
Media operating temperature range:	min. -20 °C to max. +100 °C
Ambient temperature range:	min. -20 °C to max. + 60 °C
Operating fluid:	Hydraulic oil to DIN 51524 Part 1, 2 and 3
Viscosity range:	min. 10 mm ² /s to max. 420 mm ² /s
Filtration:	Class 21/19/16 according to ISO 4406 or cleaner
MTTF _d :	150 - 1200 years, according to DIN EN ISO 13849-1
Installation:	No orientation restrictions
Materials:	Valve body: free-cutting steel Poppet: hardened and ground steel Seals: NBR (standard) FKM (optional, media temperature range -20 °C to 120 °C) Back-up rings: PTFE
Cavity:	10120
Weight:	Valve complete: 0.37 kg Coil only: 0.19 kg

Electrical data

Type of voltage:	DC: direct current solenoid AC: alternating current solenoid with a bridge rectifier built into the coil
Current draw at 20 °C:	1.5 A at 12 V DC 0.8 A at 24 V DC
Voltage tolerance:	± 15 % of the nominal voltage
Coil duty rating:	Continuous up to max. 115 % of the nominal voltage at 60 °C ambient temperature
Response time: (at p _{max} , Q _{max} , v = 33 mm ² /s)	energized: approx. 35 ms de-energized: approx. 80 ms substantially extended response times possible at other operating conditions
Coil type:	Coil...-40-1836

* see "Conditions and instructions for valves" in brochure 53.000

DIMENSIONS



MODEL CODE

WSM10120ZR - 01 M - C - N - 24 DG

Basic model

Directional poppet valve, metric

Type

01 = standard

Manual override

no details = without manual override

M = manual override

Body and ports *

C = cartridge only

Seals

N = NBR (standard)

V = FKM

Coil voltage

DC voltages

12 = 12 V DC

24 = 24 V DC

AC voltages (bridge rectifier built into the coil)

115 = 115 V AC

230 = 230 V AC

Other voltages on request

Coil connectors (type 40-1836)

DC: DG = DIN connector type A to EN 175301-803

DK = KOSTAL-threaded connection M27x1

DL = 2 flying leads, 457 mm long; 0.75 mm²

DN = Deutsch connector, 2-pole, axial

DT = AMP Junior Timer, 2-pole, radial

AC: AG = DIN connector type A to EN 175301-803

Other connectors on request

Standard models

Model code	Part No.
WSM10120ZR-01-C-N-24DG	3179188
WSM10120ZR-01-C-N-230AG	3179187

*Standard in-line bodies

Code	Part No.	Material	Ports	Pressure
R10120-01X-01	395234	Steel, zinc-plated	G1/2"	350 bar

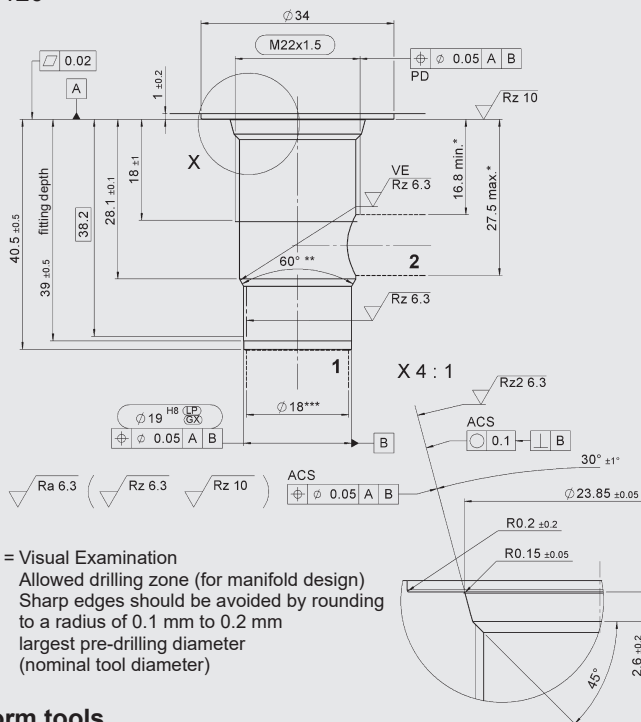
For other connection housings, see brochure no. E 5.252.

Seal kits

Code	Part No.
FS METRISCH 1012./N	3651295
FS METRISCH 1012./V	3651296

CAVITY

10120

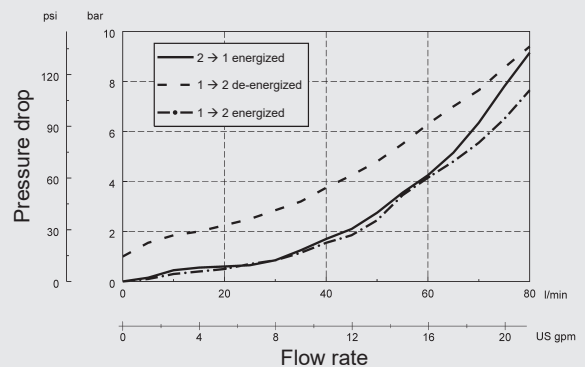


Form tools

Tool	Part No.
Countersink (shank MK3)	170418
Reamer (shank MK2)	1014206

TYPICAL PERFORMANCE

Measured at $v = 33 \text{ mm}^2/\text{s}$, $T_{\text{oil}} = 46 \text{ }^\circ\text{C}$



Note

The information in this brochure relates to the operating conditions and applications described. For applications or operating conditions not described, please contact the relevant technical department.
Subject to technical modifications.

HYDAC Fluidtechnik GmbH

Justus-von-Liebig-Str.
D-66280 Sulzbach/Saar
Tel: 0 68 97 /509-01
Fax: 0 68 97 /509-598
E-Mail: valves@hydac.com