

# Series GMPG

## Motor type 404 763

Design Data	
Commutation	brushed
Direction of rotation	bidirectional
Bearing Type	A:Sleeve - B:Sleeve

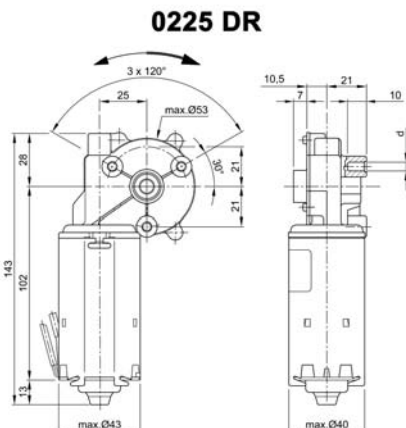
Performance data		
Nominal Voltage [V]	$U_N$	24
Nominal Torque [Nm]	$M_N$	2,00
Nominal Speed [ $\text{min}^{-1}$ ]	$n_N$	120
Nominal Power [W]	$P_N$	25,1
Nominal current [A]	$I_N$	5,0
Nominal force [kN]	$F_N$	0,00
Duty cycle		s3

Sensor data	
Pulses	62
Output channels	2

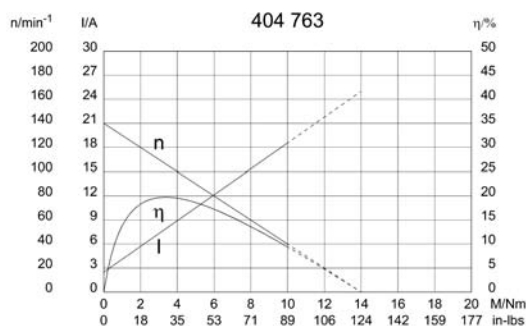
Other data	
Gear ratio	62/1
Gear wheel material	plastic
Suppression components	4 $\mu\text{H}$ , 1nF
Enclosure class	IP 30
Weight [kg]	0,710

Remarks:  
d = for thread-forming screw M5 DIN 7500

### Characteristic Curves

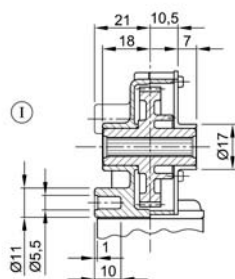


### Motor picture



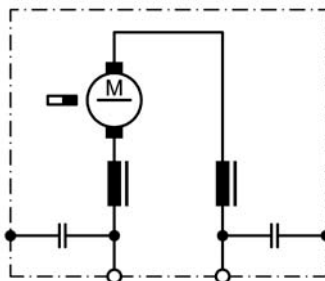
### Output shaft drawing (W), Wiring diagrams (S) and Connector layout (K)

#### W 148

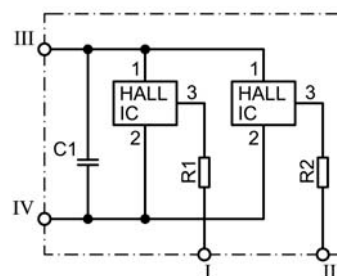


I Tapered splines 7 x 8 DIN 5481 continuous

#### S 30



#### S 109



I Terminal 1, OUT A1, grey  
II Terminal 2, OUT A2, black  
III Terminal 3, +, white  
IV Terminal 4, -, red

