

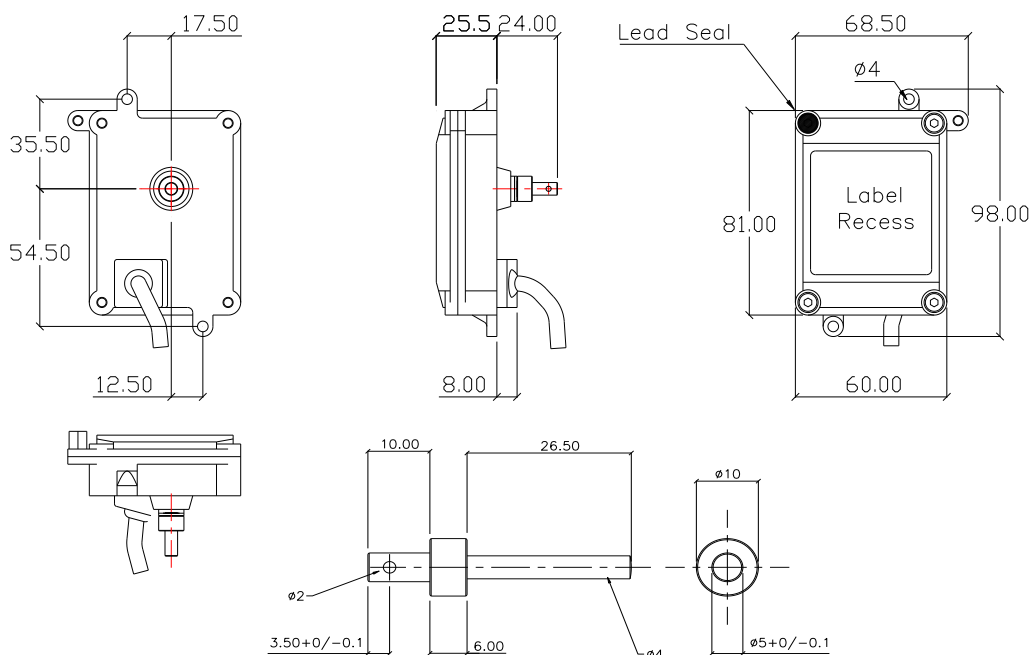
Encoder type: **01 - 09 - U, 2 x 10, 4.5 - 25 VDC, NPN OC**

Rev. **03**

Bracket Assembly Parts

Coupling Assembly Parts **62.0276**

Totalizer No. Gearbox Type No. Flexcable No.



W & M Approval **PTB no. 5.552 - 92.14**

EMC Approval **EN61000-6-4 & EN61000-6-2**

Safety Approval **TÜV 09 ATEX 555513 X, EN 60079-0, EN 60079-1**

Approval type **Ex II 2 G Ex d IIB T6**

Working temp. **- 30°C to +70°C**

Approved Temp. **- 30°C to +60°C**

Sealing **1 seal in cover**

Labels **59.2433 - 59.2060 - 59.2432 duplicate label on cover**

Pulse form **Squarewave - 50% duty cycle $\pm 10\%$**

Power supply **4.5 - 25 VDC**

Phase shift **Ch1 - Ch2: 25% $\pm 5\%$**

Current / no load **20 mA, typically 17mA**

El. Cable no. **09.4522**

Output stage **NPN Open collector**

El. Cable type **2.5 meters with 4 core + shield**

output load max. **30 mA per channel**

Shield **shield connected to housing**

Output signal **2 x 10 Pulse / CW adjusted**

Direction of Rotation **CW** +VDC **Yellow** 0VDC **Brown** Ch 1 **White** Ch 2 **Green** Ch 3

Direction of Rotation **CCW** +VDC **Yellow** 0VDC **Brown** Ch 1 **Green** Ch 2 **White** Ch 3

Rev. 02 **17.01.14** Updated approvals and labels. Removed customer labels

Rev. 03 **08.06.15** Kit removed

Rev. 04