

# MVSC-300 series

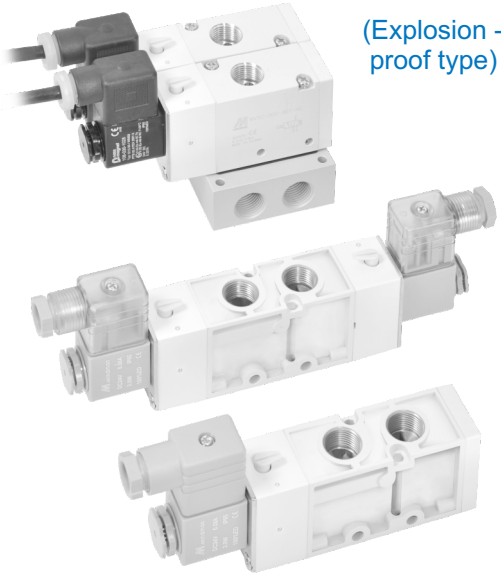
## SOLENOID VALVE



mindman

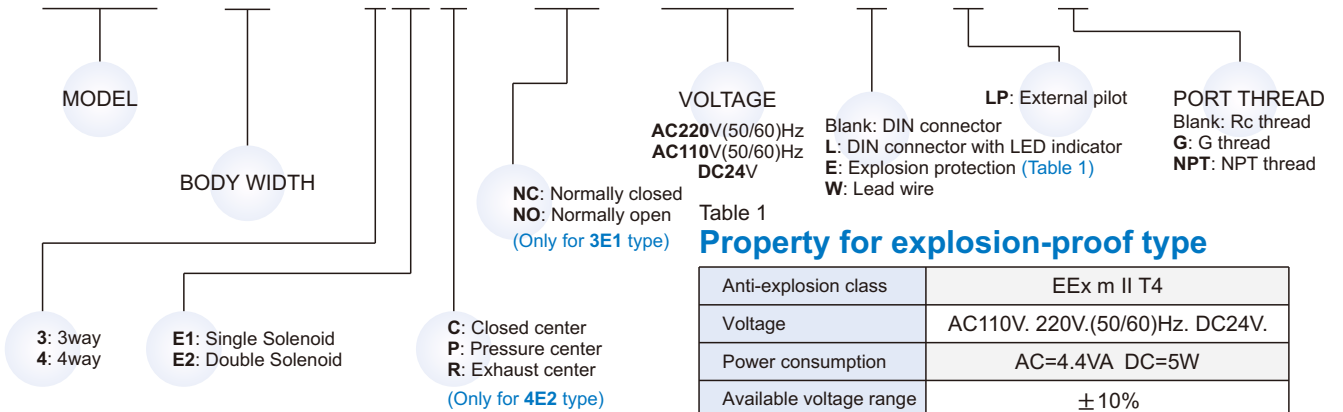
### Specification

Model	3E1	3E2	4E1	4E2	4E2C.P.R
Bore No.	10A				
Port size	Rc3/8				
No. of port	3		5		
No. of position	2			3	
Medium	Air				
Operating pressure range	0.2~0.8 MPa			0.3~0.8 MPa	
Operating pressure (LP)	0~0.8 MPa				
External pilot pressure (LP)	0.2~0.8 MPa			0.3~0.8 MPa	
Proof pressure	1 MPa				
Effective orifice	30 mm <sup>2</sup>	35 mm <sup>2</sup>	25 mm <sup>2</sup>		
Ambient temperature	- 5~ + 50°C (No freezing)				
Response time	50 ms				
Voltage	AC110V, 220V (50/60)Hz, DC24V				
Power consumption	AC=4.8/4.4VA, 6/4.9VA DC=2W				
Available voltage range	± 10%				
Insulation class	F class				
Weight	350 g	439 g	293 g	387 g	565 g



### Order example of valve

MVSC - 300 - 4E2C - NC - AC110 - L - LP - G

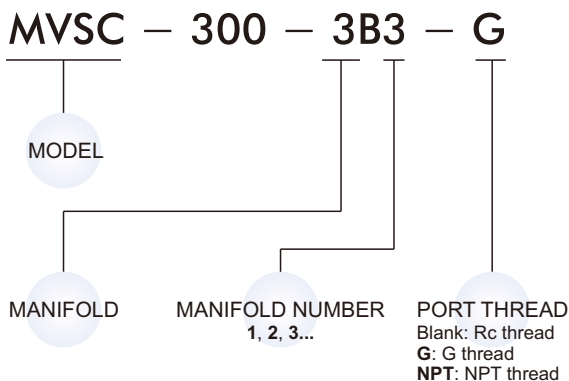


### Table 1 Property for explosion-proof type

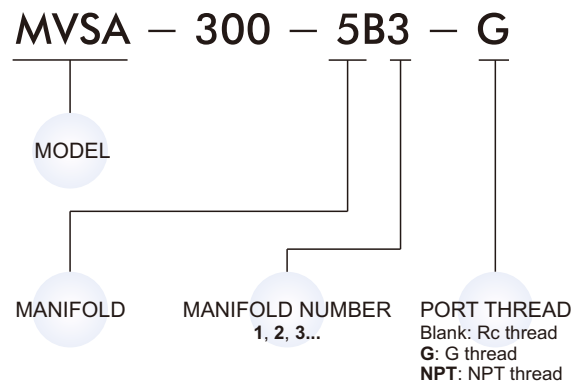
Anti-explosion class	EEx m II T4
Voltage	AC110V, 220V.(50/60)Hz, DC24V.
Power consumption	AC=4.4VA DC=5W
Available voltage range	± 10%
Insulation class	F class

### Order example of manifold

#### 3 way



#### 4 way



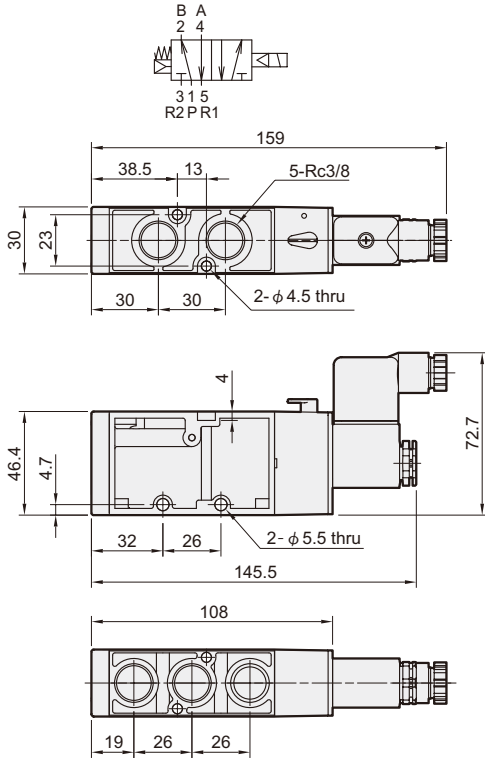
mindman

# MVSC-300 Dimensions

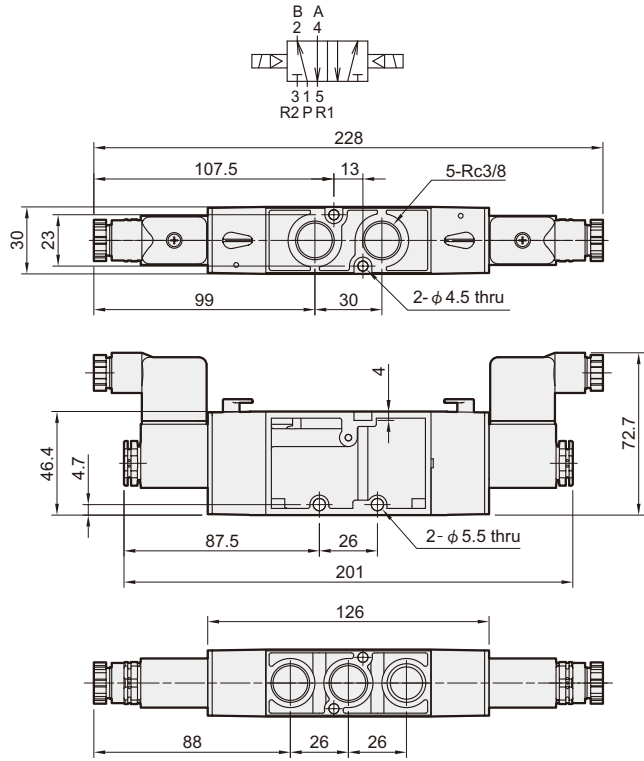
## SOLENOID VALVE



### MVSC-300-4E1



### MVSC-300-4E2

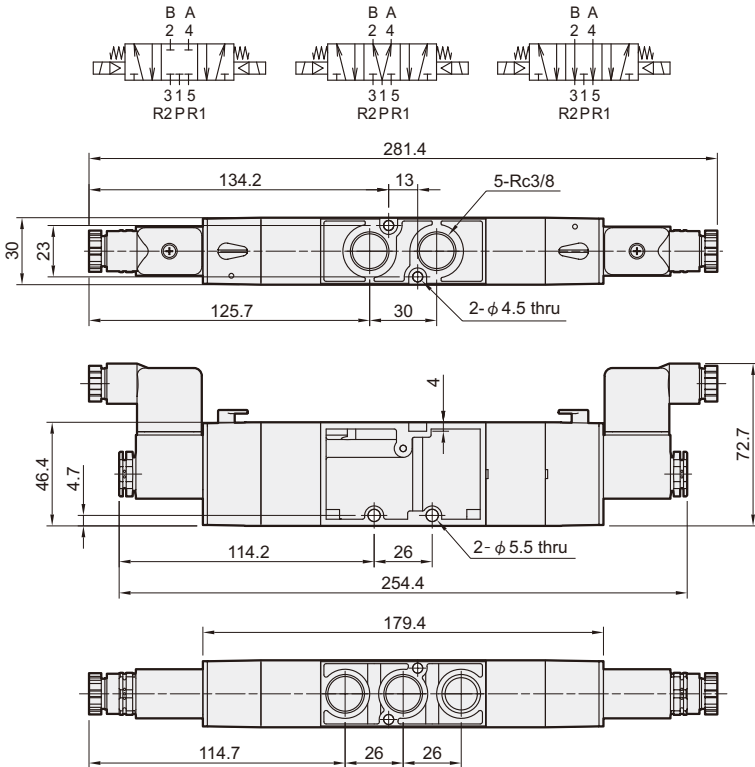


### MVSC-300-4E2C.PR

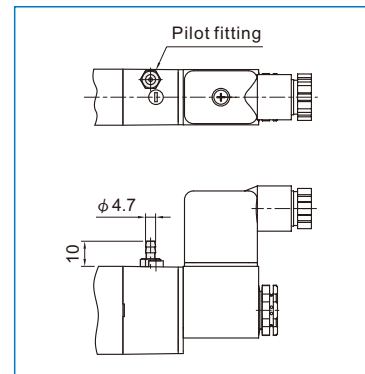
#### MVSC-300-4E2C

#### MVSC-300-4E2P

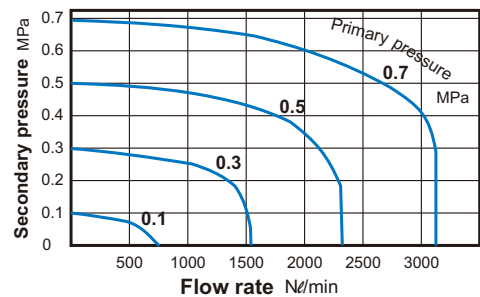
#### MVSC-300-4E2R



### LP



### Flow features

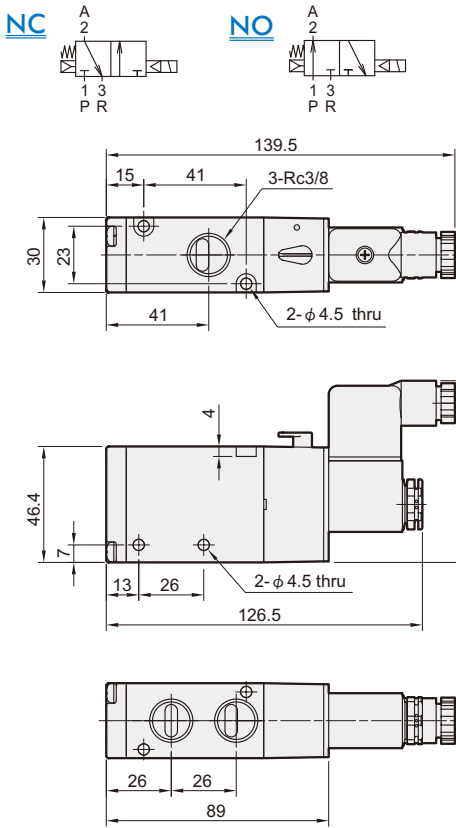


# MVSC-300 Dimensions

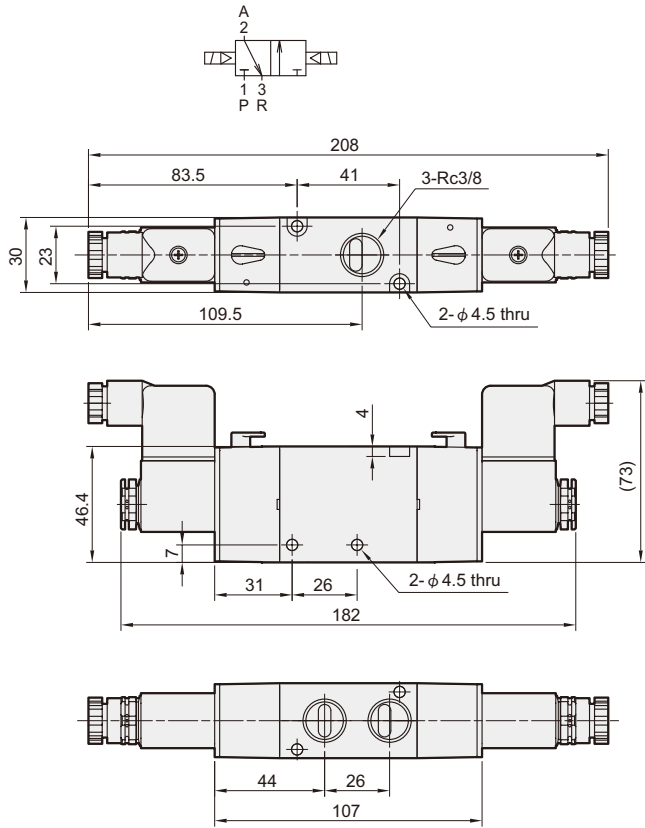
## SOLENOID VALVE



### MVSC-300-3E1-NC/NO



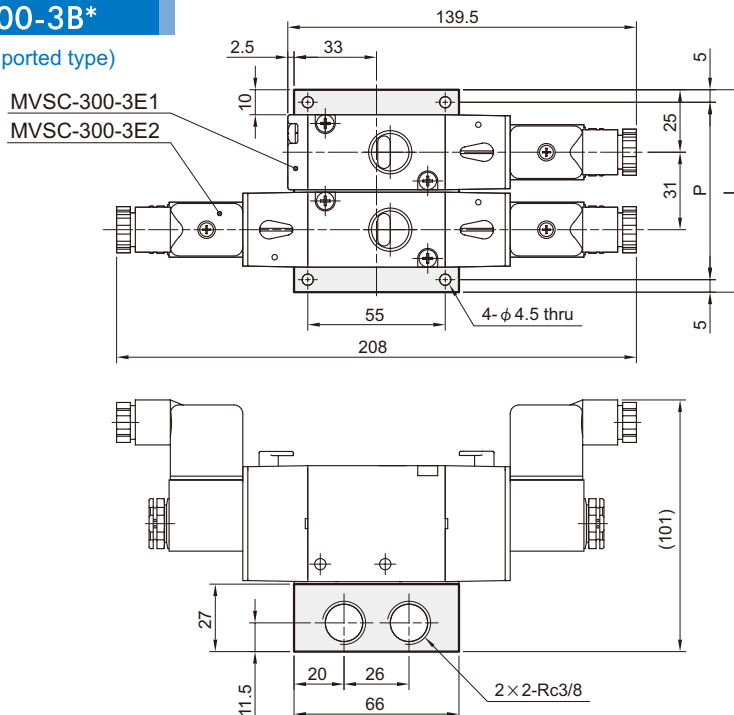
### MVSC-300-3E2



## Manifold of solenoid valve

### MVSC-300-3B\*

3way (for body ported type)



No. of stations	P	L
2	71	81
3	102	112
4	133	143
5	164	174
6	195	205
7	226	236
8	257	267
9	288	298
10	319	329



# MVSC-300 Manifold

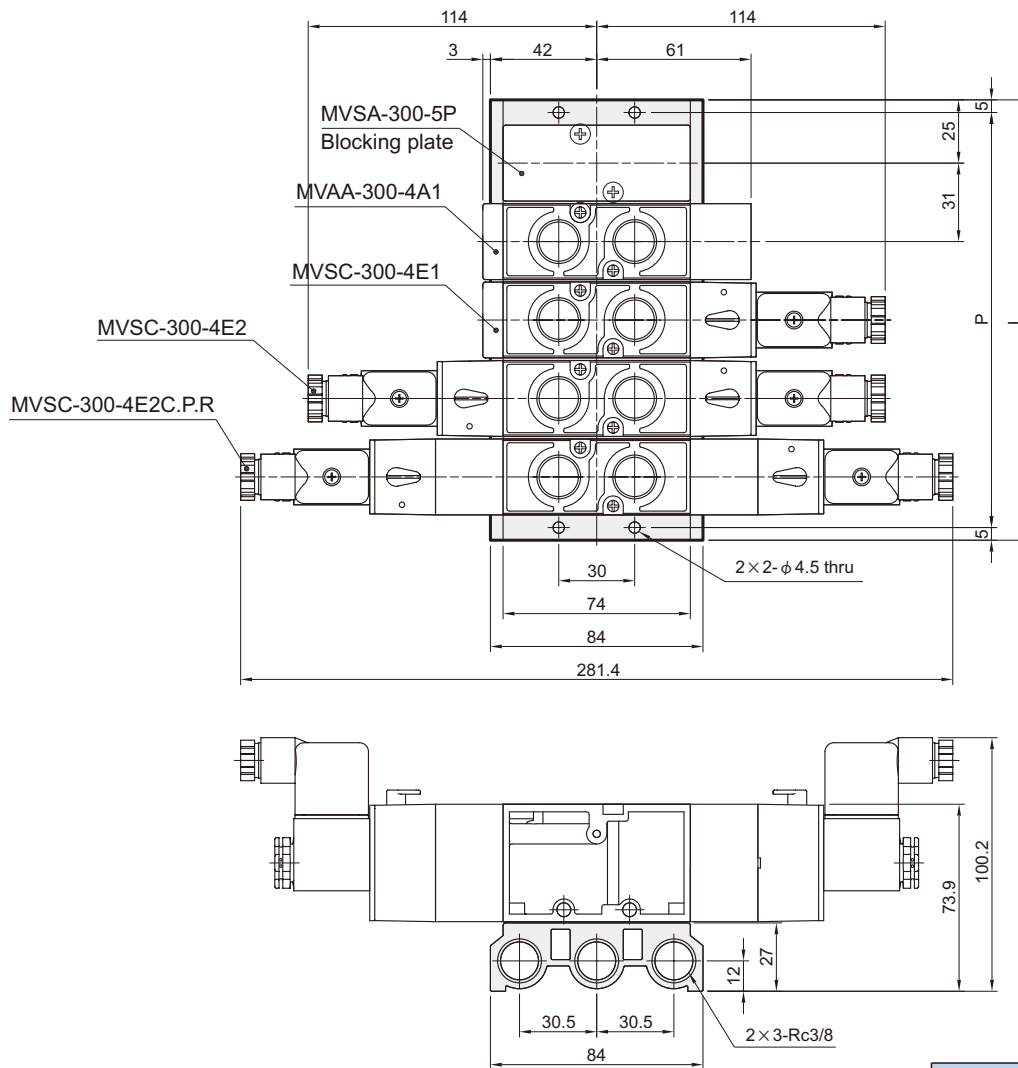
SOLENOID VALVE



Mindman

## MVSA-300-5B\*

4way (for body ported type)



No. of stations	P	L
2	71	81
3	102	112
4	133	143
5	164	174
6	195	205
7	226	236
8	257	267
9	288	298
10	319	329



Mindman