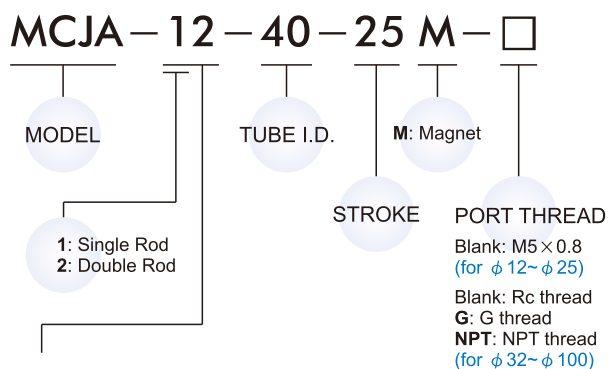


### Order example



### STYLE

Code	Symbol	Description
1 1		Double acting / Male thread
1 2		Double acting / Female thread
1 3		Single acting / Normally extended male thread
1 4		Single acting / Normally extended female thread
1 5		Single acting / Normally returned male thread
1 6		Single acting / Normally returned female thread
2 1		Double rod / Male thread
2 2		Double rod / Female thread
2 7		Double rod / Adjustable male thread
2 8		Double rod / Adjustable female thread

※ Order example for special specification, refer to page 0-7.

### Features

- Ultra Compact, light weight and space saving cylinder.
- Wide range of bore sizes and strokes (12mm~100mm).
- Single and double acting available.
- Ideal for use in machinery where space is limited and incorporating sensor groove which enables flush fitting of sensors.

### Specification

Model	MCJA									
Acting type	Double acting / Single acting						Double acting			
Tube I.D.(mm)	12	16	20	25	32	40	50	63	80	100
Port size	M5 × 0.8			Rc1/8		Rc1/4		Rc3/8		
Medium	Air									
Operating pressure (MPa)	Double acting		0.05~1		0.03~1		0.02~1			
	Single acting		0.2~1		0.15~1		0.1~1		—	
Proof pressure	1.5 MPa									
Ambient temperature	-5°C~+60°C (No freezing)									
Available speed range	50~500 mm/sec									
Sensor switch (※)	RCB, RCE, RCE1, RDEP									

※ RCB, RCE, RCE1, RDEP specification, please refer to page 8-8, 10, 15.

### Double acting-Table for standard stroke

	Tube I.D.	Stroke (mm)	Max. stroke
Single rod	φ 12, φ 16	5, 10, 15, 20, 25, 30	300
	φ 20,25,32	5, 10, 15, 20, 25, 30, 35, 40, 45, 50	300
	φ 40,50,63	5, 10, 15, 20, 25, 30, 35, 40, 45, 50	125
Dual rod	φ 12, φ 16	5, 10, 15, 20, 25, 30	300
	φ 20,25,32	5, 10, 15, 20, 25, 30, 35, 40, 45, 50	300
	φ 40,50,63	5, 10, 15, 20, 25, 30, 35, 40, 45, 50	125

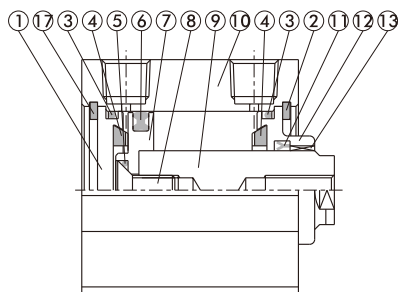
● Stroke out of specification is also available. Please consult us if stroke out of specification.

### Single acting - Table for standard stroke

Tube I.D.	Stroke (mm)
φ 12, 16, 20, 25, 32, 40	5, 10, 15, 20, 25, 30
φ 50	5, 10, 15, 20

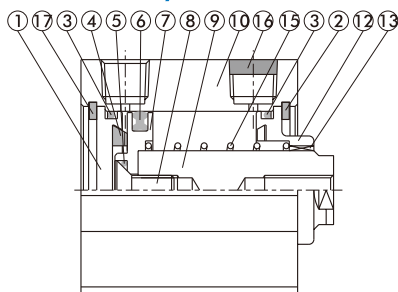
● Stroke out of specification is also available. Please consult us if stroke out of specification.

### Double acting



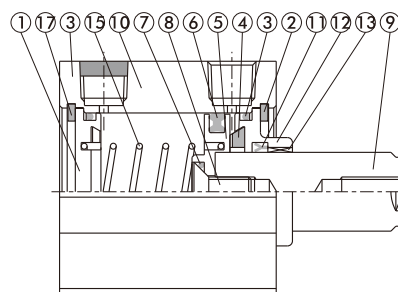
### Single acting

#### Normally returned



### Single acting

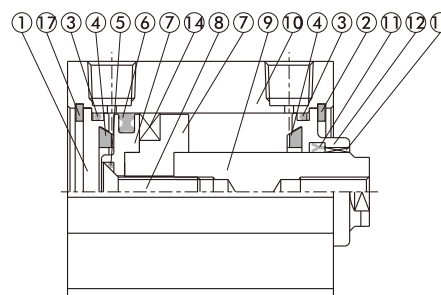
#### Normally extended



### Seal kit

Acting type	Rod packing		Piston packing		Cover ring	Piston gasket
	Double action Normally extended	Normally returned	Double action	Single action	Double action Single action	Double action Single action
Qty.	1	0	1	1	2	1
12	KSYR-6	—	OPA-12	OPA-12	S-12	d4 × w1
16	KSYR-6	—	OPA-16	OPA-16	S-14	d4 × w1
20	KSYR-8	—	OPA-20	OPA-20	S-18	d6 × w1
25	KSYR-10	—	OPA-25	OPA-25	S-22	d8 × w1
32	KSYR-12	—	OPA-32	OPA-32	d28 × w2	S-9
40	KSYR-16	—	OPA-40	OPA-40	S-36	S-9
50	KSYR-20	—	OPA-50	OPA-50	AS-31	S-16
63	KSYR-20	—	OPA-63	—	AS-35	S-16
80	ORA-25	—	OPA-80	—	AS-41	d20 × w1
100	SDR-30	—	OPA-100	—	S-95	S-26

### Double acting (with magnet)



### Material

No.	Part name	Tube I.D.									Q'y	Component parts (inclusion)	Repair kits (inclusion)
		12	16	20	25	32	40	50	63	80			
1	Head cover	Aluminum alloy									1	●	
2	Snap ring(Front end)	SUS	Spring steel	SUS	Spring steel						1	●	
3	Cover ring	NBR									2	●	●
4	Cushion packing	—	NBR								2	●	●
5	Piston gasket	NBR									1	●	●
6	Piston packing	NBR									1	●	●
7	Piston	Aluminum alloy									1	●	
8	Screw	With magnet	Stainless steel		SCM				1	●			
		Without magnet	SCM	SUS	SCM				1	●			
9	Piston rod	With magnet	Stainless steel		Carbon steel				1				
		Without magnet	SUS	Carbon steel				1					
10	Body	Aluminum alloy									1		
11	Rod packing	NBR									1 <sup>(*)</sup>	●	●
12	Rod cover	Aluminum alloy									1	●	
13	Bush	—			Bearing alloy						1	●	
14	Magnet ring	Magnet material									1	●	
15	Spring	SWP				—					1	●	
16	Silencer	Brass				—					1	●	
17	Snap ring(Rear end)	Stainless steel			Spring steel						1	●	

Single acting / Normally returned, Q'y=0.

### Order example Component parts

Tube I.D.	Component parts
φ 12	CP-MCJA-12(M)
φ 16	CP-MCJA-16(M)
φ 20	CP-MCJA-20(M)
φ 25	CP-MCJA-25(M)
φ 32	CP-MCJA-32(M)
φ 40	CP-MCJA-40(M)
φ 50	CP-MCJA-50(M)
φ 63	CP-MCJA-63(M)
φ 80	CP-MCJA-80(M)
φ 100	CP-MCJA-100(M)

M: With magnet

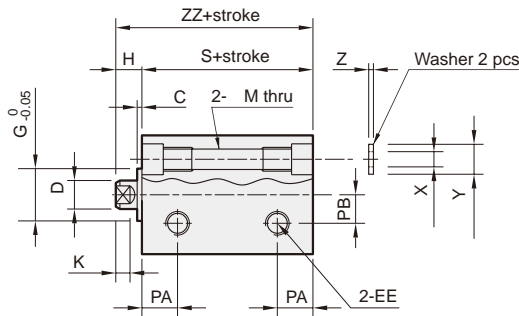
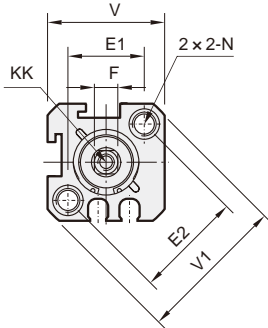
### Repair kits

Tube I.D.	Repair kits
φ 12	PS-MCJA-12
φ 16	PS-MCJA-16
φ 20	PS-MCJA-20
φ 25	PS-MCJA-25
φ 32	PS-MCJA-32
φ 40	PS-MCJA-40
φ 50	PS-MCJA-50
φ 63	PS-MCJA-63
φ 80	PS-MCJA-80
φ 100	PS-MCJA-100

COMPACT CYLINDER

mindman

12, 16



Long stroke without counter bore

With magnet type:  
The stroke length must be over 100mm.  
Without magnet type:  
The stroke length must be over 110mm.

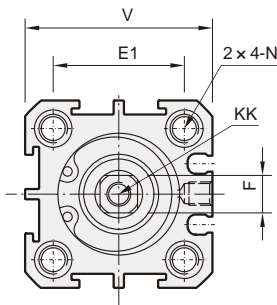
12, 16



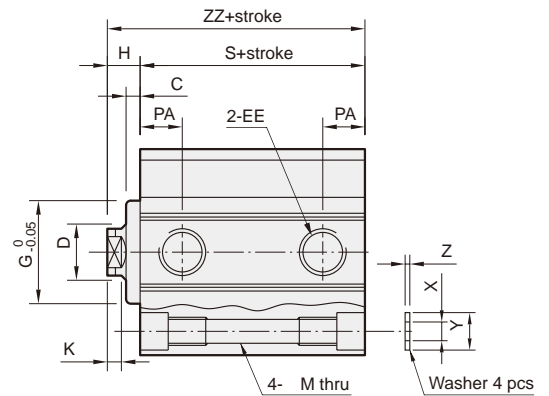
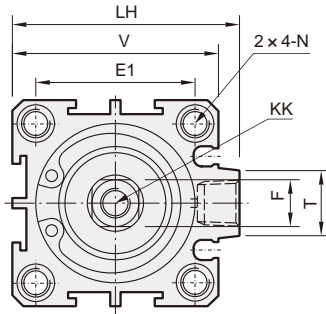
20~ 100



20, 25



32~ 100



Code Tube I.D.	C	D	EE	E1	E2	F	G	H	K	KK	LH	M	N	PA	PB
12	1	6	M5 × 0.8	16.3	23	5	11	5	3	M3 × 0.5 × 6 depth	—	4.3	6.5 × 4.5 depth, M5 × 0.8 × 7.5 depth	6.5	6
16	1.5	6	M5 × 0.8	19.8	28	5	11	5.5	3	M3 × 0.5 × 6 depth	—	4.3	6.5 × 4.5 depth, M5 × 0.8 × 7.5 depth	7	6.5
20	1.5	8	M5 × 0.8	24	—	6	15	5.5	3	M4 × 0.7 × 8 depth	—	4.3	6.5 × 4.5 depth, M5 × 0.8 × 7.5 depth	7.5	—
25	2	10	M5 × 0.8	28	—	8	17	6	3	M5 × 0.8 × 10 depth	—	5.1	9 × 7 depth, M6 × 1.0 × 10 depth	8	—
32	3	12	Rc1/8( 1)	34	—	10	22	7	3	M6 × 1.0 × 12 depth	48.5	5.1	9 × 7 depth, M6 × 1.0 × 10 depth	9	—
40	3	16	Rc1/8( 1)	40	—	14	28	7	3	M8 × 1.25 × 12 depth	56.5	6.9	10.5 × 8 depth, M8 × 1.25 × 12 depth	10	—
50	4	20	Rc1/4( 2)	48	—	17	38	9	3	M10 × 1.5 × 15 depth	70	6.9	11 × 8.5 depth, M8 × 1.25 × 16.5 depth	10	—
63	4	20	Rc1/4( 2)	60	—	17	40	9	3	M10 × 1.5 × 15 depth	83	6.9	11 × 8.5 depth, M8 × 1.25 × 16.5 depth	12	—
80	5	25	Rc3/8( 3)	74	—	22	45	11	4	M14 × 1.5 × 20 depth	102	10.5	14 × 10.5 depth, M12 × 1.75 × 12 depth	13	—
100	5	30	Rc3/8( 3)	90	—	27	55	12	4	M18 × 1.5 × 20 depth	122	12.3	18.5 × 13 depth, M14 × 2 × 17 depth	17	—

1. Without magnet with stroke=5mm, EE=M5 × 0.8

2. Without magnet with stroke=5mm, EE=Rc1/8

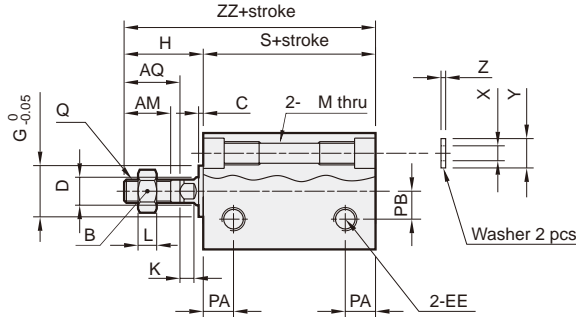
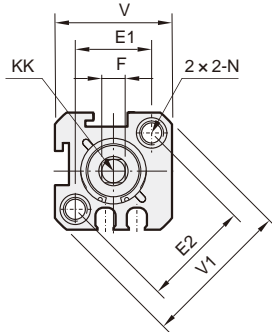
3. Without magnet with stroke=5mm, EE=Rc1/4

Code Tube I.D.	T	V	V1	X	Y	Z	Without magnet		Magnet	
							S	ZZ	S	ZZ
12	—	25	32	3.2	6.3	1	17	22	27	32
16	—	29	38	3.2	6.3	1	18.5	24	28.5	34
20	—	34	—	3.2	6.3	1	19.5	25	29.5	35
25	—	40	—	4.2	7.8	1	21	27	31	37
32	14	44	—	4.2	7.8	1	24.5	31.5	34.5	41.5
40	14	52	—	6.2	10.3	1.6	26	33	36	43
50	19	62	—	6.2	10.8	1.6	28	37	38	47
63	20	75	—	6.2	10.8	1.6	32	41	42	51
80	27	94	—	8.2	13.8	1.6	41	52	51	62
100	26	114	—	10.2	17.3	2	51	63	61	73

COMPACT CYLINDER

mindman

12, 16



Long stroke  
without counter bore

With magnet type:  
The stroke length must be over 100mm.  
Without magnet type:  
The stroke length must be over 110mm.

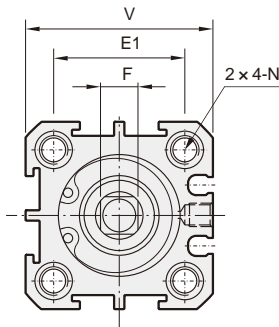
12, 16



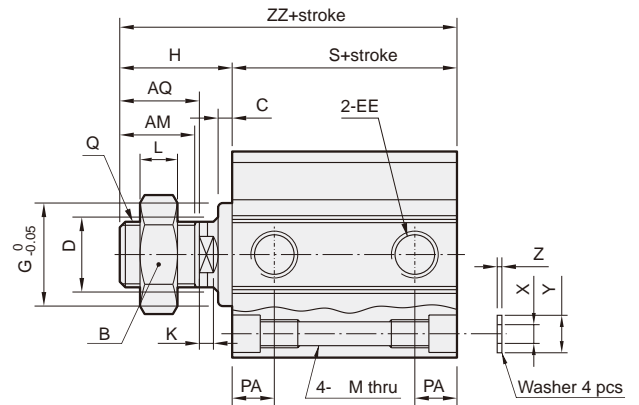
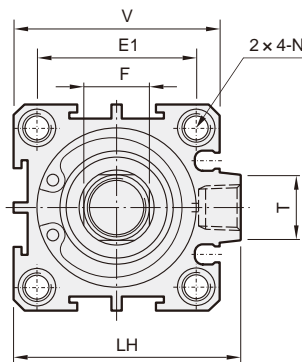
20~ 100



20, 25



32~ 100



Code Tube I.D.	AM	AQ	B	C	D	EE	E1	E2	F	G	H	K	L	LH	M	N	PA	PB
12	10	12	8	1	6	M5 x 0.8	16.3	23	5	11	17	3	4	-	4.3	6.5 x 4.5 depth, M5 x 0.8 x 7.5 depth	6.5	6
16	10	12	8	1.5	6	M5 x 0.8	19.8	28	5	11	17.5	3	4	-	4.3	6.5 x 4.5 depth, M5 x 0.8 x 7.5 depth	7	6.5
20	13	15	10	1.5	8	M5 x 0.8	24	-	6	15	20.5	3	5	-	4.3	6.5 x 4.5 depth, M5 x 0.8 x 7.5 depth	7.5	-
25	15	17	13	2	10	M5 x 0.8	28	-	8	17	23	3	5	-	5.1	9 x 7 depth, M6 x 1.0 x 10 depth	8	-
32	15	18	17	3	12	Rc1/8( 1)	34	-	10	22	25	3	6	48.5	5.1	9 x 7 depth, M6 x 1.0 x 10 depth	9	-
40	25	28	22	3	16	Rc1/8( 1)	40	-	14	28	35	3	8	56.5	6.9	10.5 x 8 depth, M8 x 1.25 x 12 depth	10	-
50	25	28	26	4	20	Rc1/4( 2)	48	-	17	38	37	3	11	70	6.9	11 x 8.5 depth, M8 x 1.25 x 16.5 depth	10	-
63	25	28	26	4	20	Rc1/4( 2)	60	-	17	40	37	3	11	83	6.9	11 x 8.5 depth, M8 x 1.25 x 16.5 depth	12	-
80	30	33	32	5	25	Rc3/8( 3)	74	-	22	45	44	4	13	102	10.5	14 x 10.5 depth, M12 x 1.75 x 12 depth	13	-
100	35	38	35	5	30	Rc3/8( 3)	90	-	27	55	50	4	14	122	12.3	18.5 x 13 depth, M14 x 2 x 17 depth	17	-

1. Without magnet with stroke=5mm, EE=M5 x 0.8

2. Without magnet with stroke=5mm, EE=Rc1/8

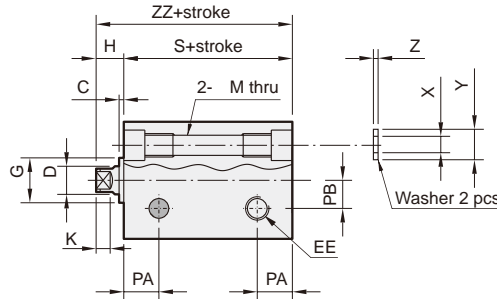
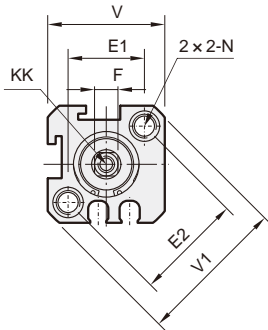
3. Without magnet with stroke=5mm, EE=Rc1/4

Code Tube I.D.	Q	T	V	V1	X	Y	Z	Without magnet		Magnet	
								S	ZZ	S	ZZ
12	M5 x 0.8	-	25	32	3.2	6.3	1	17	34	27	44
16	M5 x 0.8	-	29	38	3.2	6.3	1	18.5	36	28.5	46
20	M6 x 1.0	-	34	-	3.2	6.3	1	19.5	40	29.5	50
25	M8 x 1.25	-	40	-	4.2	7.8	1	21	44	31	54
32	M10 x 1.25	14	44	-	4.2	7.8	1	24.5	49.5	34.5	59.5
40	M14 x 1.5	14	52	-	6.2	10.3	1.6	26	61	36	71
50	M18 x 1.5	19	62	-	6.2	10.8	1.6	28	65	38	75
63	M18 x 1.5	20	75	-	6.2	10.8	1.6	32	69	42	79
80	M22 x 1.5	27	94	-	8.2	13.8	1.6	41	85	51	95
100	M26 x 1.5	26	114	-	10.2	17.3	2	51	101	61	111

COMPACT CYLINDER

Mindman

12, 16



Long stroke without counter bore

With magnet type:  
The stroke length must be over 100mm.  
Without magnet type:  
The stroke length must be over 110mm.

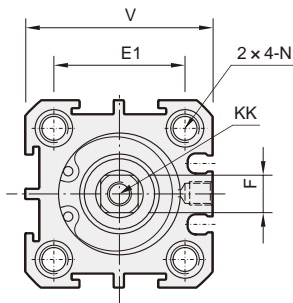
12, 16



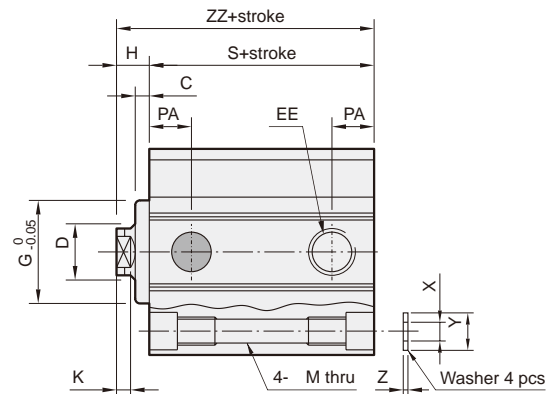
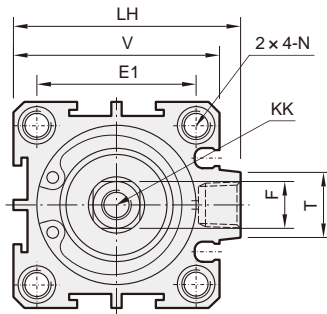
20~ 50



20, 25



32~ 50



Code Tube I.D.	C	D	EE	E1	E2	F	G	H	K	KK	LH	M	N	PA	PB
12	1	6	M5×0.8	16.3	23	5	11	5	3	M3×0.5×6 depth	-	4.3	6.5×4.5 depth, M5×0.8×7.5 depth	6.5	6
16	1.5	8	M5×0.8	19.8	28	6	11	5.5	3	M3×0.5×6 depth	-	4.3	6.5×4.5 depth, M5×0.8×7.5 depth	7	6.5
20	1.5	10	M5×0.8	24	-	8	15	5.5	3	M4×0.7×8 depth	-	4.3	6.5×4.5 depth, M5×0.8×7.5 depth	7.5	-
25	2	12	M5×0.8	28	-	10	17	6	3	M5×0.8×10 depth	-	5.1	9×7 depth, M6×1.0×10 depth	8	-
32	3	16	Rc1/8	34	-	14	22	7	3	M6×1.0×12 depth	48.5	5.1	9×7 depth, M6×1.0×10 depth	9	-
40	3	16	Rc1/8	40	-	14	28	7	3	M8×1.25×12 depth	56.5	6.9	10.5×8 depth, M8×1.25×12 depth	10	-
50	4	20	Rc1/4	48	-	17	38	9	3	M10×1.5×15 depth	70	6.9	11×8.5 depth, M8×1.25×16.5 depth	10	-

Without magnet with stroke=5mm, EE=M5×0.8

Code Tube I.D.	T	V	V1	X	Y	Z
12	-	25	32	3.2	6.3	1
16	-	29	38	3.2	6.3	1
20	-	34	-	3.2	6.3	1
25	-	40	-	4.2	7.8	1
32	14	44	-	4.2	7.8	1
40	14	52	-	6.2	10.3	1.6
50	19	62	-	6.2	10.8	1.6

Code Tube I.D.	Without magnet				Magnet			
	Stroke 5,10		Stroke 15~30		Stroke 5,10		Stroke 15~30	
	S	ZZ	S	ZZ	S	ZZ	S	ZZ
12	27	32	37	42	37	42	47	52
16	28.5	34	38.5	44	38.5	44	48.5	54
20	29.5	35	39.5	45	39.5	45	49.5	55
25	31	37	41	47	41	47	51	57
32	34.5	41.5	44.5	51.5	44.5	51.5	54.5	61.5
40	36	43	46	53	46	53	56	63

Code Tube I.D.	Without magnet		Magnet	
	Stroke 5,10			
	S	ZZ	S	ZZ
50	28	37	38	47

Single acting - Table for standard stroke

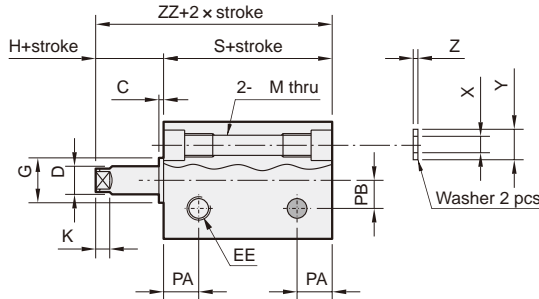
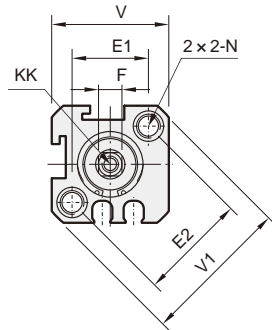
Tube I.D.	Stroke (mm)
12, 16, 20, 25, 32, 40	5, 10, 15, 20, 25, 30
50	5, 10, 15, 20

Please reconfirm the dimension with our sales department when the stroke over our standard.

COMPACT CYLINDER

Mindman

12, 16



Long stroke without counter bore

With magnet type:  
The stroke length must be over 100mm.  
Without magnet type:  
The stroke length must be over 110mm.

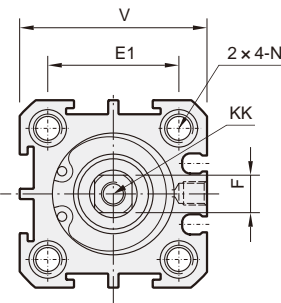
12, 16



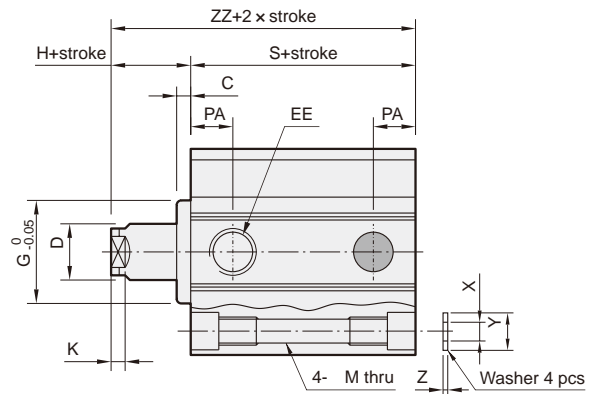
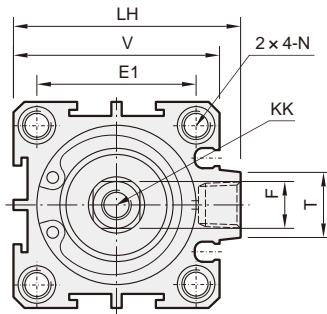
20~ 50



20, 25



32~ 50



Code Tube I.D.	C	D	EE	E1	E2	F	G	H	K	KK	LH	M	N	PA	PB
12	1	6	M5 x 0.8	16.3	23	5	11	5	3	M3 x 0.5 x 6 depth	-	4.3	6.5 x 4.5 depth, M5 x 0.8 x 7.5 depth	6.5	6
16	1.5	8	M5 x 0.8	19.8	28	6	11	5.5	3	M3 x 0.5 x 6 depth	-	4.3	6.5 x 4.5 depth, M5 x 0.8 x 7.5 depth	7	6.5
20	1.5	10	M5 x 0.8	24	-	8	15	5.5	3	M4 x 0.7 x 8 depth	-	4.3	6.5 x 4.5 depth, M5 x 0.8 x 7.5 depth	7.5	-
25	2	12	M5 x 0.8	28	-	10	17	6	3	M5 x 0.8 x 10 depth	-	5.1	9 x 7 depth, M6 x 1.0 x 10 depth	8	-
32	3	16	Rc1/8	34	-	14	22	7	3	M6 x 1.0 x 12 depth	48.5	5.1	9 x 7 depth, M6 x 1.0 x 10 depth	9	-
40	3	16	Rc1/8	40	-	14	28	7	3	M8 x 1.25 x 12 depth	56.5	6.9	10.5 x 8 depth, M8 x 1.25 x 12 depth	10	-
50	4	20	Rc1/4	48	-	17	38	9	3	M10 x 1.5 x 15 depth	70	6.9	11 x 8.5 depth, M8 x 1.25 x 16.5 depth	10	-

不附磁行程為5mm時，EE=Rc1/8

Code Tube I.D.	T	V	V1	X	Y	Z
12	-	25	32	3.2	6.3	1
16	-	29	38	3.2	6.3	1
20	-	34	-	3.2	6.3	1
25	-	40	-	4.2	7.8	1
32	14	44	-	4.2	7.8	1
40	14	52	-	6.2	10.3	1.6
50	19	62	-	6.2	10.8	1.6

Code Tube I.D.	Without magnet				Magnet			
	Stroke 5,10		Stroke 15-30		Stroke 5,10		Stroke 15-30	
	S	ZZ	S	ZZ	S	ZZ	S	ZZ
12	27	32	37	42	37	42	47	52
16	28.5	34	38.5	44	38.5	44	48.5	54
20	29.5	35	39.5	45	39.5	45	49.5	55
25	31	37	41	47	41	47	51	57
32	34.5	41.5	44.5	51.5	44.5	51.5	54.5	61.5
40	36	43	46	53	46	53	56	63

Code Tube I.D.	Without magnet		Magnet	
	Stroke 5,10			
	S	ZZ	S	ZZ
50	28	37	38	47

Single acting - Table for standard stroke

Tube I.D.	Stroke (mm)
12, 16, 20, 25, 32, 40	5, 10, 15, 20, 25, 30
50	5, 10, 15, 20

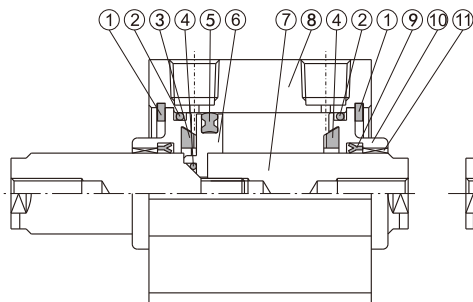
Please reconfirm the dimension with our sales department when the stroke over our standard.

# MCJA Double end rod Inside structure & Parts list

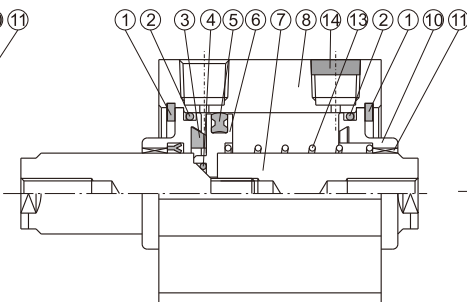
## COMPACT CYLINDER



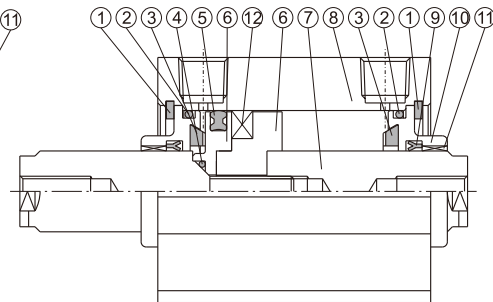
### Double acting



### Single acting



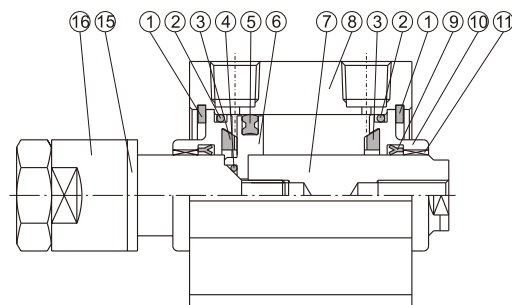
### Double acting (with magnet)



### Seal kit

Acting type	Rod packing		Piston packing		Cover ring		Piston gasket
	Double action	Single action	Double action	Single action	Double action	Double action	
					Double action	Single action	
QTY.	2	1	1	1	2	1	
12	KSYR-6	KSYR-6	OPA-12	OPA-12	d11 x w1.0	d4 x w1	
16	KSYR-6	KSYR-6	OPA-16	OPA-16	S-14	d4 x w1	
20	KSYR-8	KSYR-8	OPA-20	OPA-20	S-18	d6 x w1	
25	KSYR-10	KSYR-10	OPA-25	OPA-25	S-22	d6 x w1	
32	KSYR-12	KSYR-12	OPA-32	OPA-32	d28 x w2	d8 x w1	
40	KSYR-16	KSYR-16	OPA-40	OPA-40	S-36	d11 x w1	
50	KSYR-20	KSYR-20	OPA-50	OPA-50	AS-31	S-14	
63	KSYR-20	—	OPA-63	—	AS-35	S-14	
80	ORA-25	—	OPA-80	—	AS-41	S-18	
100	SDR-30	—	OPA-100	—	S-95	S-26	

### Double acting (Adjustable stroke)



### Material

No.	Part name	Tube I.D.										Q'y	Component parts (inclusion)	Repair kits (inclusion)		
		12	16	20	25	32	40	50	63	80	100					
1	Snap ring	SUS	Spring steel	SUS	Spring steel							2	●			
2	Cover ring	NBR										2	●	●		
3	Cushion packing	—	NBR									2	●	●		
4	Piston gasket	NBR										1	●	●		
5	Piston packing	NBR										1	●	●		
6	Piston	Aluminum alloy										1	●			
7	Piston rod	With magnet				SUS						Carbon steel		2		
		Without magnet		SUS								Carbon steel		2		
8	Body	Aluminum alloy										1				
9	Rod packing	NBR										2 <sup>(*)</sup>	●	●		
10	Rod cover	Aluminum alloy										2	●			
11	Bush	—				Bearing alloy						2	●			
12	Magnet ring	Magnet material										1	●			
13	Spring	—				SWP			—			1	●			
14	Silencer	—				Brass			—			1	●			
15	Cushion packing	PU										1	●			
16	Adjustable nut	Carbon steel										1	●			

Single acting type, Q'y=1.

### Order example Component parts

Tube I.D.	Component parts
12	CP-MCJA-2-12(M)
16	CP-MCJA-2-16(M)
20	CP-MCJA-2-20(M)
25	CP-MCJA-2-25(M)
32	CP-MCJA-2-32(M)
40	CP-MCJA-2-40(M)
50	CP-MCJA-2-50(M)
63	CP-MCJA-2-63(M)
80	CP-MCJA-2-80(M)
100	CP-MCJA-2-100(M)

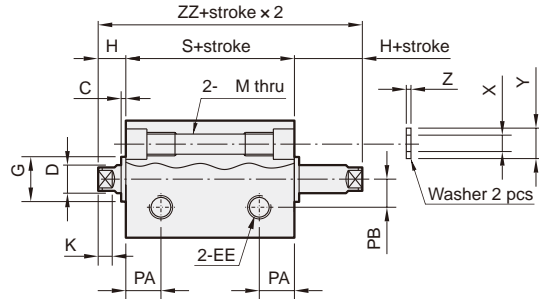
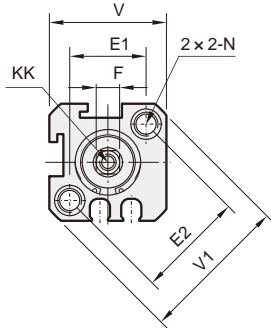
M: With magnet

### Repair kits

Tube I.D.	Repair kits
12	PS-MCJA-2-12
16	PS-MCJA-2-16
20	PS-MCJA-2-20
25	PS-MCJA-2-25
32	PS-MCJA-2-32
40	PS-MCJA-2-40
50	PS-MCJA-2-50
63	PS-MCJA-2-63
80	PS-MCJA-2-80
100	PS-MCJA-2-100



12, 16



Long stroke  
without counter bore

With magnet type:  
The stroke length must be over 100mm.  
Without magnet type:  
The stroke length must be over 110mm.

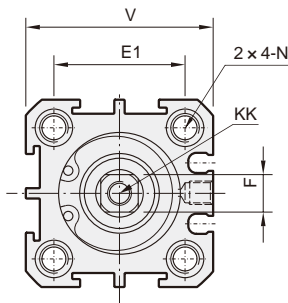
12, 16



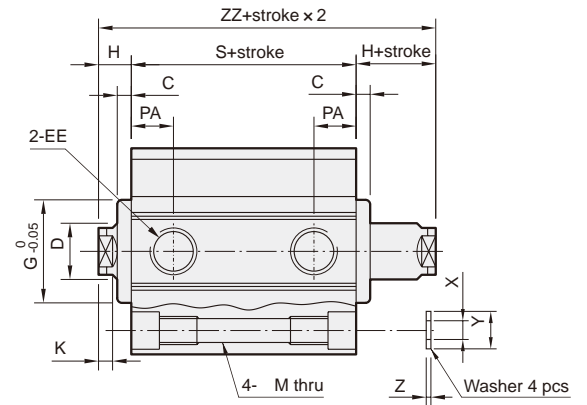
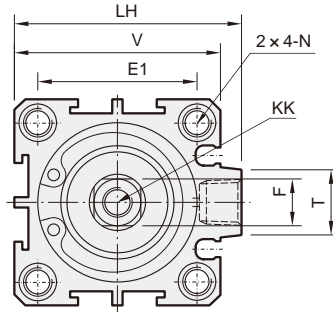
20~ 100



20, 25



32~ 100



Code Tube I.D.	C	D	EE	E1	E2	F	G	H	K	KK	LH	M	N	PA	PB
12	1	6	M5 x 0.8	16.3	23	5	11	5	3	M3 x 0.5 x 6 depth	-	4.3	6.5 x 4.5 depth, M5 x 0.8 x 7.5 depth	6.5	6
16	1.5	8	M5 x 0.8	19.8	28	5	11	5.5	3	M3 x 0.5 x 6 depth	-	4.3	6.5 x 4.5 depth, M5 x 0.8 x 7.5 depth	7	6.5
20	1.5	10	M5 x 0.8	24	-	6	15	5.5	3	M4 x 0.7 x 8 depth	-	4.3	6.5 x 4.5 depth, M5 x 0.8 x 7.5 depth	7.5	-
25	2	12	M5 x 0.8	28	-	8	17	6	3	M5 x 0.8 x 10 depth	-	5.1	9 x 7 depth, M6 x 1.0 x 10 depth	8	-
32	3	16	Rc1/8( 1)	34	-	10	22	7	3	M6 x 1.0 x 12 depth	48.5	5.1	9 x 7 depth, M6 x 1.0 x 10 depth	9	-
40	3	16	Rc1/4( 1)	40	-	14	28	7	3	M8 x 1.25 x 12 depth	56.5	6.9	10.5 x 8 depth, M8 x 1.25 x 12 depth	10	-
50	4	20	Rc1/4( 2)	48	-	17	38	9	3	M10 x 1.5 x 15 depth	70	6.9	11 x 8.5 depth, M8 x 1.25 x 16.5 depth	10	-
63	4	20	Rc1/4( 2)	60	-	17	40	9	3	M10 x 1.5 x 15 depth	83	6.9	11 x 8.5 depth, M8 x 1.25 x 16.5 depth	12	-
80	5	25	Rc3/8( 3)	74	-	22	45	11	4	M14 x 1.5 x 20 depth	102	10.5	14 x 10.5 depth, M12 x 1.75 x 12 depth	13	-
100	5	30	Rc3/8( 3)	90	-	27	55	12	4	M18 x 1.5 x 20 depth	122	12.3	18.5 x 13 depth, M14 x 2 x 17 depth	17	-

1. Without magnet with stroke=5mm, EE=M5 x 0.8

3. Without magnet with stroke=5mm, EE=Rc1/4

2. Without magnet with stroke=5mm, EE=Rc1/8

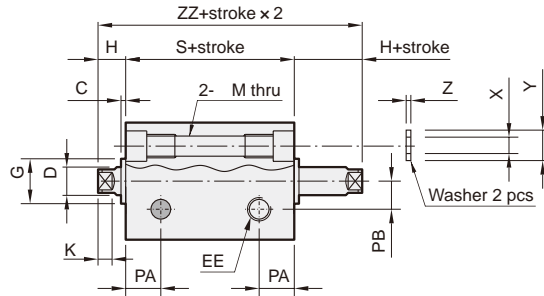
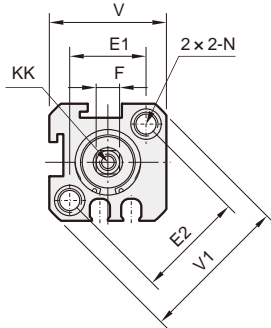
Code Tube I.D.	T	V	V1	X	Y	Z	Without magnet		Magnet	
							S	ZZ	S	ZZ
12	-	25	32	3.2	6.3	1	17	27	27	37
16	-	29	38	3.2	6.3	1	18.5	29.5	28.5	39.5
20	-	34	-	3.2	6.3	1	19.5	30.5	29.5	40.5
25	-	40	-	4.2	7.8	1	21	33	31	43
32	14	44	-	4.2	7.8	1	24.5	38.5	34.5	48.5
40	14	52	-	6.2	10.3	1.6	26	40	36	50
50	19	62	-	6.2	10.8	1.6	28	46	38	56
63	20	75	-	6.2	10.8	1.6	32	50	42	60
80	27	94	-	8.2	13.8	1.6	41	63	51	73
100	26	114	-	10.2	17.3	2	51	75	61	85



## COMPACT CYLINDER

Mindman

12, 16



### Long stroke without counter bore

With magnet type:  
The stroke length must be over 100mm.  
Without magnet type:  
The stroke length must be over 110mm.

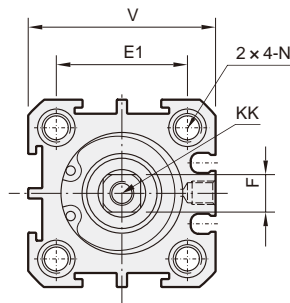
12, 16



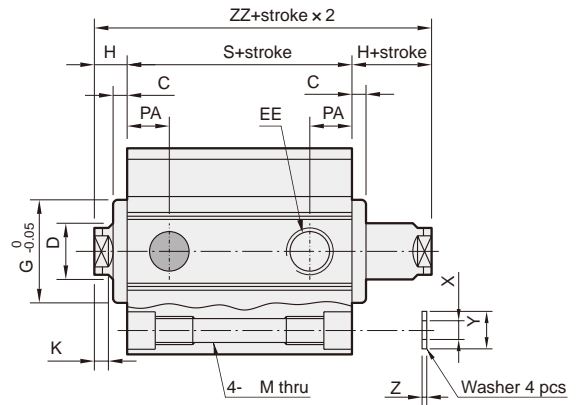
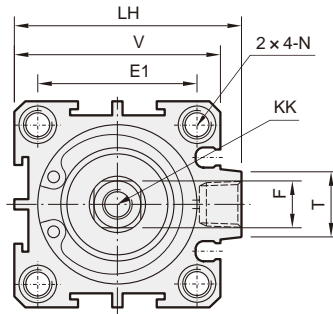
20~ 50



20, 25



32~ 50



Code Tube I.D.	C	D	EE	E1	E2	F	G	H	K	KK	LH	M	N	PA	PB
12	1	6	M5×0.8	16.3	23	5	11	5	3	M3×0.5×6 depth	—	4.3	6.5×4.5 depth, M5×0.8×7.5 depth	6.5	6
16	1.5	8	M5×0.8	19.8	28	6	11	5.5	3	M3×0.5×6 depth	—	4.3	6.5×4.5 depth, M5×0.8×7.5 depth	7	6.5
20	1.5	10	M5×0.8	24	—	8	15	5.5	3	M4×0.7×8 depth	—	4.3	6.5×4.5 depth, M5×0.8×7.5 depth	7.5	—
25	2	12	M5×0.8	28	—	10	17	6	3	M5×0.8×10 depth	—	5.1	9×7 depth, M6×1.0×10 depth	8	—
32	3	16	Rc1/8	34	—	14	22	7	3	M6×1.0×12 depth	48.5	5.1	9×7 depth, M6×1.0×10 depth	9	—
40	3	16	Rc1/8	40	—	14	28	7	3	M8×1.25×12 depth	56.5	6.9	10.5×8 depth, M8×1.25×12 depth	10	—
50	4	20	Rc1/4	48	—	17	38	9	3	M10×1.5×15 depth	70	6.9	11×8.5 depth, M8×1.25×16.5 depth	10	—

Without magnet with stroke=5mm, EE=M5×0.8

Code Tube I.D.	T	V	V1	X	Y	Z
12	—	25	32	3.2	6.3	1
16	—	29	38	3.2	6.3	1
20	—	34	—	3.2	6.3	1
25	—	40	—	4.2	7.8	1
32	14	44	—	4.2	7.8	1
40	14	52	—	6.2	10.3	1.6
50	19	62	—	6.2	10.8	1.6

Code Tube I.D.	Without magnet				Magnet			
	Stroke 5,10		Stroke 15~30		Stroke 5,10		Stroke 15~30	
	S	ZZ	S	ZZ	S	ZZ	S	ZZ
12	27	37	37	47	37	47	47	57
16	28.5	39.5	38.5	49.5	38.5	49.5	48.5	59.5
20	29.5	40.5	39.5	50.5	39.5	50.5	49.5	60.5
25	31	43	41	53	41	53	51	63
32	34.5	48.5	44.5	58.5	44.5	58.5	54.5	68.5
40	36	50	46	60	46	60	56	70

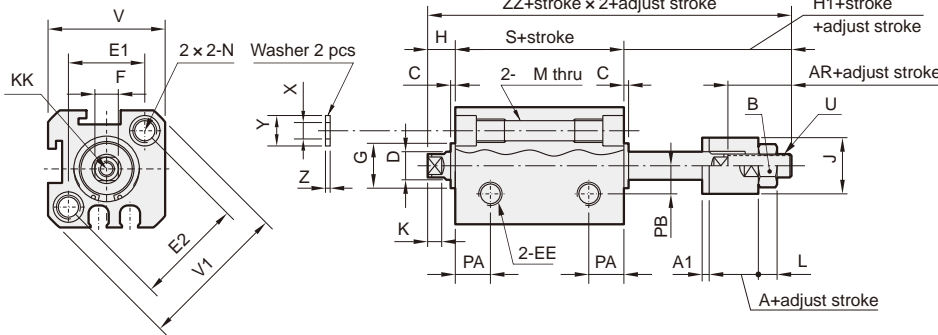
Code Tube I.D.	Without magnet		Magnet	
	Stroke 5,10			
	S	ZZ	S	ZZ
50	28	46	38	56

### Single acting - Table for standard stroke

Tube I.D.	Stroke (mm)
12, 16, 20, 25, 32, 40	5, 10, 15, 20, 25, 30
50	5, 10, 15, 20

Please reconfirm the dimension with our sales department when the stroke over our standard.

12, 16



Long stroke without counter bore

With magnet type:  
The stroke length must be over 100mm.  
Without magnet type:  
The stroke length must be over 110mm.

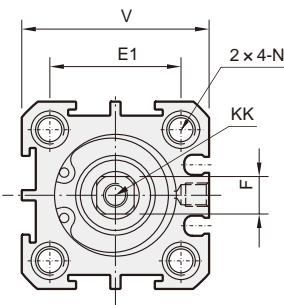
12, 16



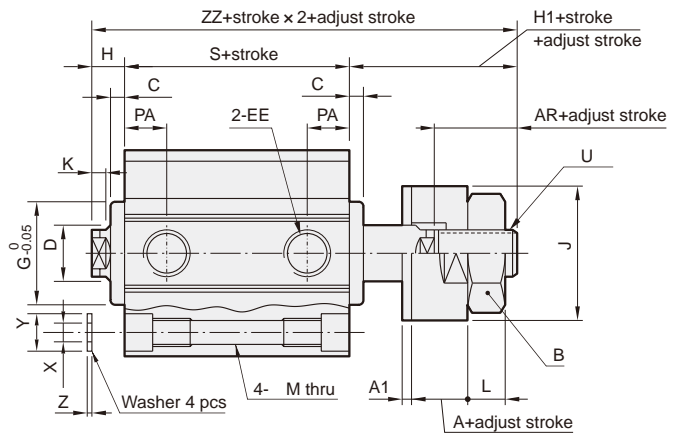
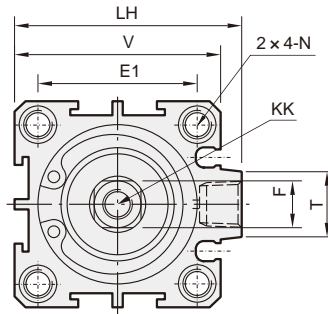
20~ 100



20, 25



32~ 100



Code Tube I.D.	A	A1	AR	B	C	D	EE	E1	E2	F	G	H	H1	J	K	KK	L	LH	M
12	13	2	16	8	1	6	M5 x 0.8	16.3	23	5	11	5	22.5	12	3	M3 x 0.5 x 6 depth	4	-	4.3
16	13	2	16.5	8	1.5	8	M5 x 0.8	19.8	28	5	11	5.5	23.5	12	3	M3 x 0.5 x 6 depth	4	-	4.3
20	15	2	19	13	1.5	10	M5 x 0.8	24	-	6	15	5.5	26	16	3	M4 x 0.7 x 8 depth	5	-	4.3
25	15	2	19.5	13	2	12	M5 x 0.8	28	-	8	17	6	27.2	16	3	M5 x 0.8 x 10 depth	5	-	5.1
32	12	2	18	17	3	16	Rc1/8( 1)	34	-	10	22	7	26	20	3	M6 x 1.0 x 12 depth	6	48.5	5.1
40	12	2	20	19	3	16	Rc1/8( 1)	40	-	14	28	7	28	30	3	M8 x 1.25 x 12 depth	7	56.5	6.9
50	15	2	22	24	4	20	Rc1/4( 2)	48	-	17	38	9	31	40	3	M10 x 1.5 x 15 depth	8	70	6.9
63	15	2	22	24	4	20	Rc1/4( 2)	60	-	17	40	9	31	40	3	M10 x 1.5 x 15 depth	8	83	6.9
80	20	3	33	32	5	25	Rc3/8( 3)	74	-	22	45	11	44	50	4	M14 x 1.5 x 20 depth	13	102	10.5
100	20	3	33	32	5	30	Rc3/8( 3)	90	-	27	55	12	44	50	4	M18 x 1.5 x 20 depth	13	122	12.3

1. Without magnet with stroke=5mm, EE=M5 x 0.8

3. Without magnet with stroke=5mm, EE=Rc1/4

2. Without magnet with stroke=5mm, EE=Rc1/8

Code Tube I.D.	N	PA	PB	T	U	V	V1	X	Y	Z	Without magnet		Magnet	
											S	ZZ	S	ZZ
12	6.5 x 4.5 depth, M5 x 0.8 x 7.5 depth	6.5	6	-	M5 x 0.8	25	32	3.2	6.3	1	17	44.5	27	54.5
16	6.5 x 4.5 depth, M5 x 0.8 x 7.5 depth	7	6.5	-	M5 x 0.8	29	38	3.2	6.3	1	18.5	47.5	28.5	57.5
20	6.5 x 4.5 depth, M5 x 0.8 x 7.5 depth	7.5	-	-	M8 x 1.25	34	-	3.2	6.3	1	19.5	51	29.5	61
25	9 x 7 depth, M6 x 1.0 x 10 depth	8	-	-	M8 x 1.25	40	-	4.2	7.8	1	21	54.2	31	64.2
32	9 x 7 depth, M6 x 1.0 x 10 depth	9	-	14	M10 x 1.25	44	-	4.2	7.8	1	24.5	57.5	34.5	67.5
40	10.5 x 8 depth, M8 x 1.25 x 12 depth	10	-	14	M12 x 1.25	52	-	6.2	10.3	1.6	26	61	36	71
50	11 x 8.5 depth, M8 x 1.25 x 16.5 depth	10	-	19	M16 x 1.5	62	-	6.2	10.8	1.6	28	68	38	78
63	11 x 8.5 depth, M8 x 1.25 x 16.5 depth	12	-	20	M16 x 1.5	75	-	6.2	10.8	1.6	32	72	42	82
80	14 x 10.5 depth, M12 x 1.75 x 12 depth	13	-	27	M22 x 1.5	94	-	8.2	13.8	1.6	41	96	51	106
100	18.5 x 13 depth, M14 x 2 x 17 depth	17	-	26	M22 x 1.5	114	-	10.2	17.3	2	51	107	61	117

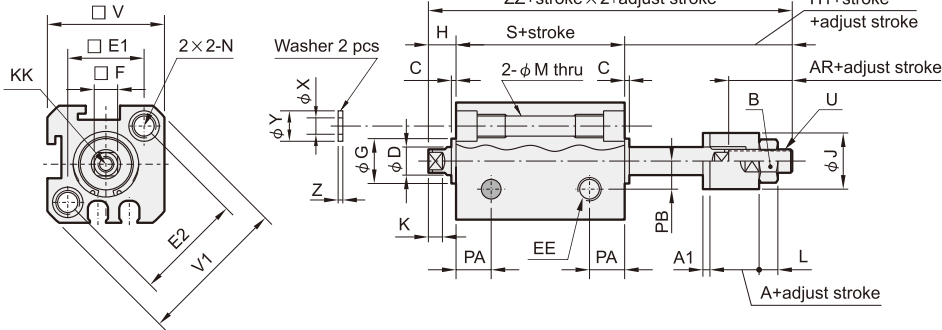
# MCJA Double end rod / Single action / Adjustable stroke $\phi 12\sim\phi 50$



## COMPACT CYLINDER

Mindman

$\phi 12, \phi 16$



Long stroke  
without counter bore

With magnet type:  
The stroke length must be over 100mm.  
Without magnet type:  
The stroke length must be over 110mm.

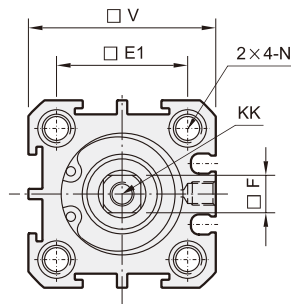
$\phi 12, \phi 16$



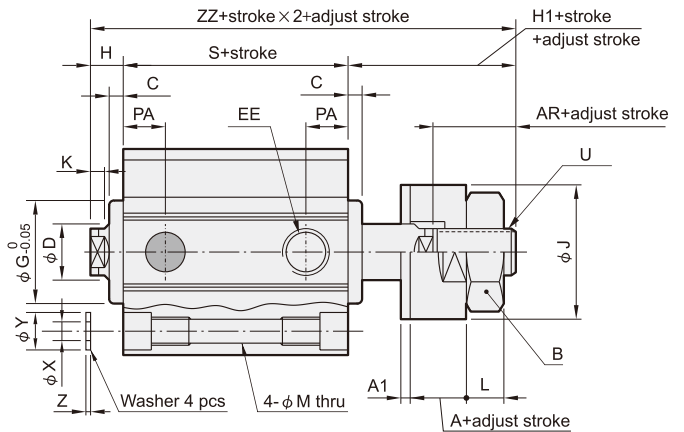
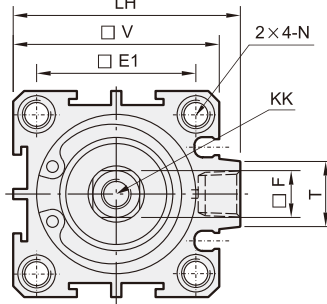
$\phi 20\sim\phi 50$



$\phi 20, \phi 25$



$\phi 32\sim\phi 50$



Code Tube I.D.	A	A1	AR	B	C	D	EE	E1	E2	F	G	H	H1	J	K	KK	L	LH	M
12	13	2	16	8	1	6	M5×0.8	16.3	23	5	11	5	22.5	12	3	M3×0.5×6 depth	4	-	4.3
16	13	2	16.5	8	1.5	8	M5×0.8	19.8	28	5	11	5.5	23.5	12	3	M3×0.5×6 depth	4	-	4.3
20	15	2	19	13	1.5	10	M5×0.8	24	-	6	15	5.5	26	16	3	M4×0.7×8 depth	5	-	4.3
25	15	2	19.5	13	2	12	M5×0.8	28	-	8	17	6	27.2	16	3	M5×0.8×10 depth	5	-	5.1
32	12	2	18	17	3	16	Rc1/8	34	-	10	22	7	26	20	3	M6×1.0×12 depth	6	48.5	5.1
40	12	2	20	19	3	16	Rc1/8	40	-	14	28	7	28	30	3	M8×1.25×12 depth	7	56.5	6.9
50	15	2	22	24	4	20	Rc1/4(※)	48	-	17	38	9	31	40	3	M10×1.5×15 depth	8	70	6.9

※ Without magnet with stroke=5mm, EE=M5×0.8

Code Tube I.D.	N					PA	PB	T	U	V	V1	X	Y	Z
12	$\phi 6.5 \times 4.5$ depth, M5×0.8×7.5 depth					6.5	6	-	M5×0.8	25	32	3.2	6.3	1
16	$\phi 6.5 \times 4.5$ depth, M5×0.8×7.5 depth					7	6.5	-	M5×0.8	29	38	3.2	6.3	1
20	$\phi 6.5 \times 4.5$ depth, M5×0.8×7.5 depth					7.5	-	-	M8×1.25	34	-	3.2	6.3	1
25	$\phi 9 \times 7$ depth, M6×1.0×10 depth					8	-	-	M8×1.25	40	-	4.2	7.8	1
32	$\phi 9 \times 7$ depth, M6×1.0×10 depth					9	-	14	M10×1.25	44	-	4.2	7.8	1
40	$\phi 10.5 \times 8$ depth, M8×1.25×12 depth					10	-	14	M12×1.25	52	-	6.2	10.3	1.6
50	$\phi 11 \times 8.5$ depth, M8×1.25×16.5 depth					10	-	19	M16×1.5	62	-	6.2	10.8	1.6

## Single acting - Table for standard stroke

Code Tube I.D.	Without magnet				Magnet			
	Stroke 5,10		Stroke 15~30		Stroke 5,10		Stroke 15~30	
	S	ZZ	S	ZZ	S	ZZ	S	ZZ
12	27	54.5	37	64.5	37	64.5	47	74.5
16	28.5	57.5	38.5	67.5	38.5	67.5	48.5	77.5
20	29.5	61	39.5	71	39.5	71	49.5	81
25	31	64.2	41	74.2	41	74.2	51	84.2
32	34.5	67.5	44.5	77.5	44.5	77.5	54.5	87.5
40	36	71	46	81	46	81	56	91

Code Tube I.D.	Without magnet		Magnet	
	Stroke 5,10			
	S	ZZ	S	ZZ
50	28	68	38	78

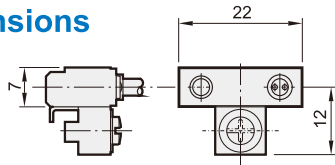
Tube I.D.	Stroke (mm)
$\phi 12, \phi 16, \phi 20,$ $\phi 25, \phi 32, \phi 40$	5, 10, 15, 20, 25, 30
$\phi 50$	5, 10, 15, 20

※ Please reconfirm the dimension with our sales department when the stroke over our standard.

## COMPACT CYLINDER

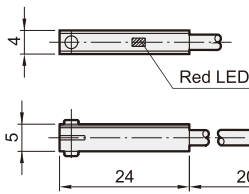
### Dimensions

**RCB**  
**RNB**

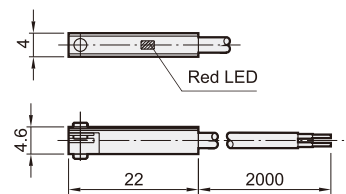


RCB: Green LED  
RNB: Red LED

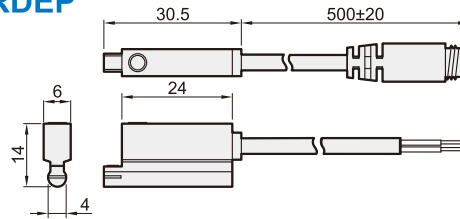
**RCE**



**RCE1**  
**RNE**

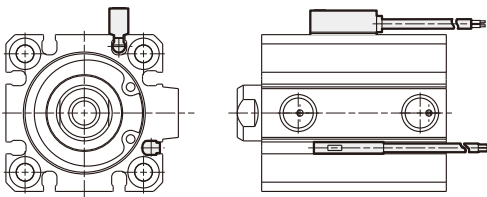


**RDEP**

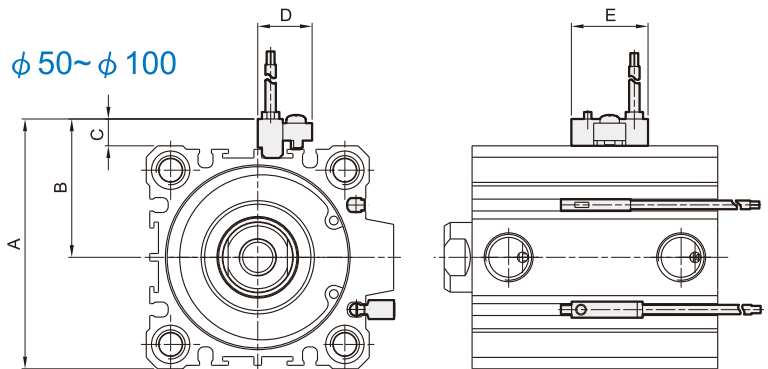


### Installation of sensor switch

$\phi 12 \sim \phi 40$



$\phi 50 \sim \phi 100$



### Order example

RCE1 — □

MODEL

Blank: Lead wire  
QD: Connector

RCB / RCE / RCE1 (C: Reed switch)

RNB / RNE (N: Solid state switch)

RDEP (Solid state switch)

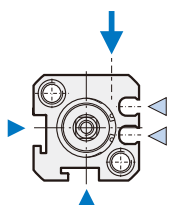
Code Tube I.D.	A	B	C	D	E
12	33.5	21.5	8.5	16	22
16	37.5	23	8.5	16	22
20	42.5	25.5	8.5	16	22
25	49	29	9	16	22
32	53	31	9	16	22

Code Tube I.D.	A	B	C	D	E
40	61	35	9	16	22
50	71	40	9	16	22
63	84	46.5	9	16	22
80	103	56	9	16	22
100	123	66	9	16	22

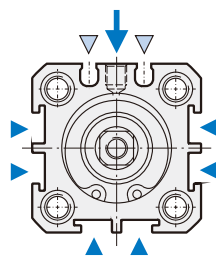
### Description

- ↓ Port
- ▽ RCE, RCE1, RDEP switch
- ▼ RCB switch

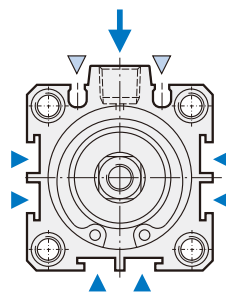
$\phi 12, \phi 16$



$\phi 20, \phi 25$



$\phi 32, \phi 40$



$\phi 50 \sim \phi 100$

