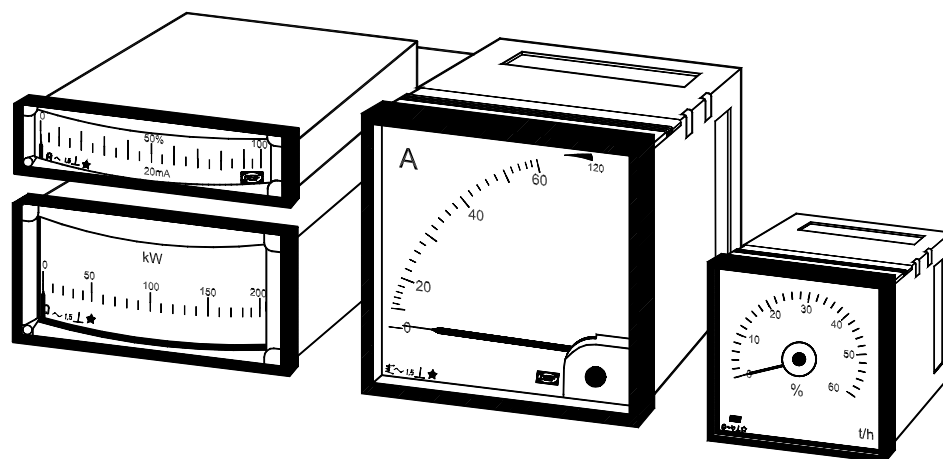


Switchboard instruments

Types DQ, VDQ, DPR, DSM, EQ

4921210012J



- **Standard DIN sizes**

Quadratic instruments: Q48...Q144

Edgewise instruments: 48 x 24...144 x 72 mm

Slim edgewise instruments: 72 x 24...144 x 36 mm

- **Accuracy class 1.5**
- **Exchangeable scale (quadratic instruments)**

Contents

Special versions	page 02
General technical specifications	page 03
Quadratic moving coil instruments with/without rectifier	page 04
Quadratic moving iron instruments.....	page 05
Edgewise moving coil instruments	page 06
Slim edgewise moving coil instruments.....	page 07
Dimensional details.....	page 08

Available types

Quadratic instruments				
	48 x 48 mm	72 x 72 mm	96 x 96 mm	144 x 144 mm
Moving coil 90°	DQ48-x	DQ72-x	DQ96-x	DQ144-x
Moving coil 240°	DQ48-c DQ48-xc	DQ72-c DQ72-xc	DQ96-c DQ96-xc	DQ144-c DQ144-xc
- with rectifier 90°		VDQ72-x	VDQ96-x	VDQ144-x
- with rectifier 240°		VDQ72-c VDQ72-xc	VDQ96-c VDQ96-xc	VDQ144-c VDQ144-xc
Moving iron 90°	EQ48-x	EQ72-x	EQ96-x	EQ144-x
Edgewise instruments				
	48 x 24 mm	72 x 36 mm	96 x 48 mm	144 x 72 mm
Moving coil	DPR48	DPR72	DPR96	DPR144
Slim edgewise instruments				
		72 x 24 mm	96 x 24 mm	144 x 36 mm
Moving coil		DSM72	DSM96	DSM144

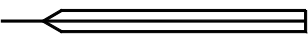
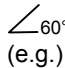
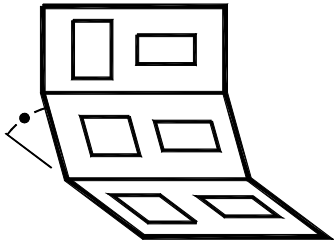
Special versions

General	Antiglare glass
	IP54 from front (incl. rubber gasket) (types DQ and EQ)
	Adjustable red pointer (types Q48-x, Q72-x, Q96-x, Q144-x) (IP52)
	Other measuring ranges than those stated in this data sheet
Scale	Non-standard scale e.g. ammeter with 3, 4, 5 or 6 times overload range
	Scale according to table or curve
	Single scale with double row of figures (standard scale)
	Double scale with 2 rows of figures (standard divisions)
	Single scale with fine divisions for standard pointer
	Red line at specified value
	Coloured section for specific scale range
	Additional text on scale, Roman types (e.g. "Generator")
Moving iron instruments	Adjusted to a specified frequency, 100...500Hz
	Adjusted for DC measurement
	Adjusted to accuracy class 1.0
Moving coil instruments	Suppressed zero (DQ..-x/DQ..-c/-xc: Max. 20%)
	Zero at centre of scale or the like
	Integrated adjustment potentiometer ($\pm 10\%$ standard, up to $\pm 50\%$ on request)
	Adjusted to accuracy class 1.0

Accessories: Blank covers types Q72, Q96, Q144

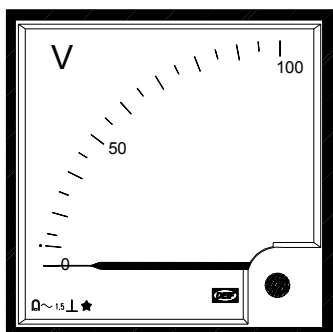
Blank covers are typically applied to cover panel cut-outs provided for later extension of the switchboard. The blank covers consist of a standard bezel with spring clamp for mounting in the panel, mounted with a white, opal PVC plate instead of glass. (Depth behind panel: Approx. 12 mm).

General technical specifications

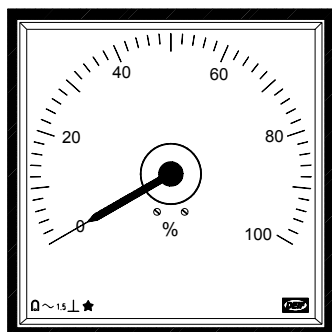
Instruments are designed according to below mentioned standards					Standards
Accuracy	Class 1.5 (-10...15...30...55°C) Linear scales: ±1.5% of full scale value (FS) Non-linear scales: ±1.5% of scale length				EN 60051 and IEC 51
Instrument sizes	48 x 24 mm 48 x 48 mm	72 x 24 mm 72 x 36 mm 72 x 72 mm	96 x 24 mm 96 x 48 mm 96 x 96 mm	144 x 36 mm 144 x 72 mm 144 x 144 mm	DIN 43700
Bezels	Slim bezels				DIN 43718
Scale/pointer	 Standard pointer				DIN 43802
Mounting angle	<p>Standard: Vertical (90 ±5°)</p> <p>Other angles: Specify angle to horizontal</p> <p>⊥ vertical mounting</p> <p> 60° to horizontal (e.g.)</p> <p>□ horizontal mounting</p> <p></p> <p>For edgewise instruments only, furthermore specify: Horizontal or vertical scale</p>				DIN 16257
Measuring ranges	See pages 4-7. Others on request.				DIN 43701
Protection	Standard version		IP54 version*		*) Marked with label: "IP54 from front only when rubber gasket is mounted"
(Housings)	From front	From rear	From front	From rear	
	IP52	IP52	IP54	IP52	
	Quadratic	Edgewise	Quadratic	Edgewise	
(Terminals)	IP20	IP00	IP20	IP00	IEC 529 and EN 60529
Climate	Class HUE Short-term condensing allowed				DIN 40040
	Max. 95% RH: Max. 30 days per year Max. 85% RH: Remaining days Max. 75% RH: Average per year				
Temperature	-10...55°C (nominal) -25...60°C (operating) -25...65°C (storage)				EN 60051 and IEC 51
Panel influence	The accuracy is affected neither by the material nor by the thickness of the panel				EN 60051 and IEC 51
Shock test	15g - 6 times - 3 directions 50g/6ms 22g/20ms				IEC 68-2-27, Test: Ea
Vibrations	3-13.2Hz: 3mm 13.2-100Hz: 1g				GL + LR: Test 1 DNV: Class A
Materials	All plastic materials are self-extinguishing				UL94 (V0)
Safety	600V – CAT. III Pollution deg. 2 Quadratic instruments are supplied with protective cover fitted over terminals				EN 61010-1
EMC	CE classified for residential, commercial and light industry plus industrial environment				EN 50081-1/2 and EN 50082-1/2

Quadratic moving coil instruments

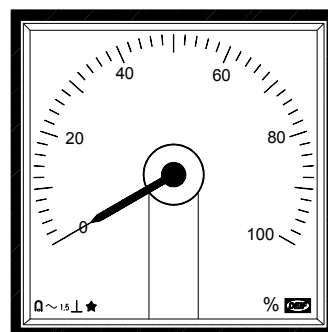
Application:	Measurement of DC currents and DC voltages		
Scale:	Linear		
Scale lengths:	DQ48/72/96/144-x:	41/62/92/135 mm	
	DQ48/72/96/144-xc/-c:	75/113/151/230 mm	
Accuracy:	Class 1.5		
Burdens:	Voltmeters:	1mA,	R _i : 1 kΩ/V
	Ammeters:	60mV...0.5V	
	Ammeters:	4...20mA (see note 3 below)	
Housings:	Plastic		



DQ96-x (exchangeable scale)



DQ96-c (non-exch. scale)



DQ96-xc (exchangeable scale)

Type	Size (mm)	Measuring range - V ¹	Measuring range - A ¹
DQ48-x	48 x 48	60mV ... 600V	1mA ... 600mA ² , 4...20mA ³
DQ72-x	72 x 72	60mV ... 600V	1mA ... 5-10-15-40A ² , 4...20mA ³
DQ96-x	96 x 96	60mV ... 600V	1mA ... 5-10-15-40A ² , 4...20mA ³
DQ144-x	144 x 144	60mV ... 600V	1mA ... 5-10-15-40A ² , 4...20mA ³
DQ48-xc/DQ48-c	48 x 48	60mV ... 600V	1mA ... 600mA ² , 4...20mA ³
DQ72-xc/DQ72-c	72 x 72	60mV ... 600V	1mA ... 5-10-15-40A ² , 4...20mA ³
DQ96-xc/DQ96-c	96 x 96	60mV ... 600V	1mA ... 5-10-15-40A ² , 4...20mA ³
DQ144-xc/DQ144-c	144 x 144	60mV ... 600V	1mA ... 5-10-15-40A ² , 4...20mA ³

- Standard measuring ranges: 1 - 1.2 - 1.5 - 2 - 2.5 - 3 - 4 - 5 - 6 - 8 and multiples of 10 thereof
- Higher measuring ranges: For use with standard shunt: 60mV or 150mV
Supplied with shunt lead, 2 x 1 m – 1 mm² (0.035Ω)
- 4...20mA: Electrically suppressed, voltage drop at 20mA = 1.6V for -x and 1.80V for -c/-xc

Quadratic moving coil instruments with rectifier

Application: Measurement of AC currents and AC voltages. Measures average value, calibrated to R.M.S. value at sinusoidal current/voltage

VDQ.. Voltmeters 25...600V: R_i: Approx. 1kΩ/V. Range <50V AC: Scale non-linear

VDQ.. Ammeters 1...600mA: Voltage drop: Approx. 1.2V

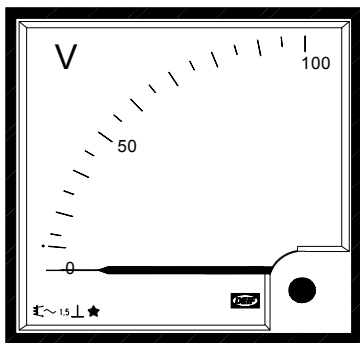
Order specifications

	Type/point of rotation of pointer ¹	Measuring range	Scale
Examples:	DQ96-x	0...10V DC	0...100%
	VDQ96-x	0...100V AC	0...100V

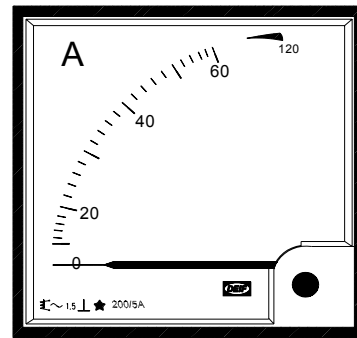
"-x": Lower right corner, exchangeable scale, "-c": Centre, "-xc": Centre, exchangeable scale

Quadratic moving iron instruments

Application:	Measurement of AC currents and AC voltages, adjusted for frequency range 16..65Hz. Calibration for other frequency ranges (see page 2). The instruments measure true R.M.S.		
Working range:	Ammeters are designed with a 2 times overload range. The instruments will withstand starting currents up to 10 times normal load for 5 secs and 5 times continuously		
Scale range:	The scale is standard designed with a 2 times overload range (non-standard scale – see page 2)		
Scale lengths:	EQ48/72/96/144-x:	41/62/92/135 mm	
Accuracy:	Class 1.5		
Burdens:	Voltmeters:	Approx. 1.5...4VA	
	Ammeters:	Approx. 0.5...1.2VA	
Housings:	Plastic		



EQ96-x (voltmeter)

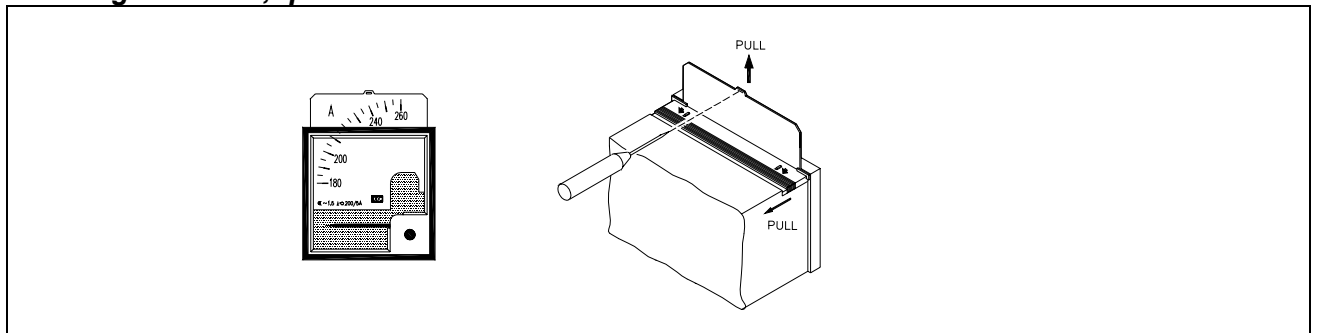


EQ96-x (ammeter)

Type	Size (mm)	Measuring range - V ¹	Measuring range - A ¹
EQ48-x	48 x 48	40V ... 600V ³	1A ... 25A ²
EQ72-x	72 x 72	40V ... 800V ³	1A ... 60A ²
EQ96-x	96 x 96	40V ... 800V ³	1A ... 60A ²
EQ144-x	144 x 144	40V ... 800V ³	1A ... 60A ²

- Standard measuring ranges: 1 - 1.2 - 1.5 - 2 - 2.5 - 3 - 4 - 5 - 6 - 8 and multiples of 10 thereof
- Higher measuring ranges: For use with external current transformer, -/5A, -/1A
- Higher measuring ranges: For use with external voltage transformer, -/100V (-/110V)

Exchange of scale, quadratic instruments



- Press cover at top of instrument as shown
- Remove scale by means of a suitable tool (e.g. screwdriver)
- After exchange of scale: Refit cover (press till it snaps into place)

Note: Interrupt signal to terminals before exchanging the scale.

Order specifications

	Type	Measuring range	Scale
Example:	EQ96-x	0...500A AC, 500/1A	0...500A x 2

Edgewise moving coil instruments

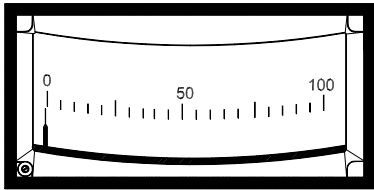
Application: Measurement of DC currents and DC voltages

Scale: Linear

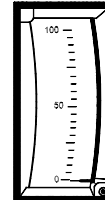
Accuracy: Class 1.5

Burdens: Voltmeters: 1mA, R_i: 1kΩ/V
Ammeters: 60mV...0.5V

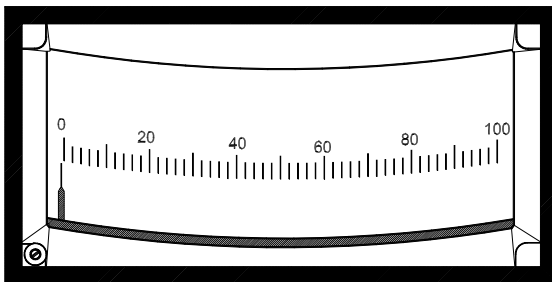
Housings: Plastic



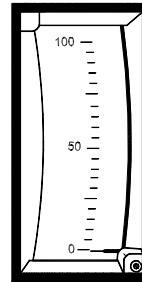
DPR96



DPR48



DPR144



DPR72

Type	Size (mm)	Measuring range - V ¹	Measuring range - A ¹
DPR48	48 x 24	1V ... 600V	1mA ... 600mA ² , 4...20mA
DPR72	72 x 36	1V ... 600V	1mA ... 600mA ² , 4...20mA
DPR96	96 x 48	1V ... 600V	1mA ... 600mA ² , 4...20mA
DPR144	144 x 72	1V ... 600V	1mA ... 600mA ² , 4...20mA

- 1) Standard measuring ranges: 1 - 1.2 - 1.5 - 2 - 2.5 - 3 - 4 - 5 - 6 - 8 and multiples of 10 thereof
- 2) Higher measuring ranges: For use with standard shunt: 60mV or 150mV
Supplied with shunt lead, 2 x 1 m – 1 mm² (0.035Ω)

Order specifications

	Type	Scale type/Mounting ¹	Measuring range	Scale
Example:	DPR96	Horizontal	4...20mA DC	0...10 bar

¹) Horizontal or vertical scale

Slim edgewise moving coil instruments

Application: Measurement of DC currents and DC voltages

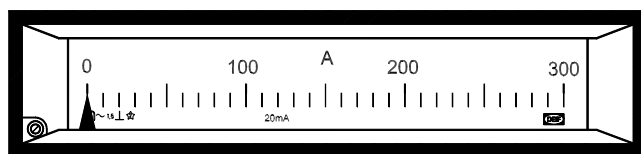
Scale: Linear

Scale lengths: DSM72/96/144: 52/70/95 mm

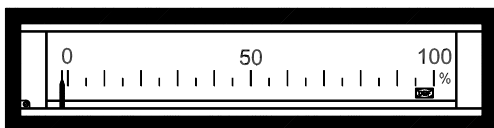
Accuracy: Class 1.5

Burdens: Voltmeters: 1mA, R_i : 1k Ω /V
Ammeters: 60mV...0.5V

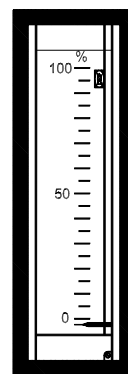
Housings: Plastic



DSM144



DSM96



DSM72

Type	Size (mm)	Measuring range - V ¹	Measuring range - A ¹
DSM72	72 x 24	60mV ... 600V	1mA ... 600mA ² , 4...20mA
DSM96	96 x 24	60mV ... 600V	1mA ... 600mA ² , 4...20mA
DSM144	144 x 36	60mV ... 600V	1mA ... 600mA ² , 4...20mA

- 1) Standard measuring ranges: 1 - 1.2 - 1.5 - 2 - 2.5 - 3 - 4 - 5 - 6 - 8 and multiples of 10 thereof
- 2) Higher measuring ranges: For use with separate standard shunt: 60mV or 150mV
Supplied with shunt lead, 2 x 1 m – 1 mm² (0.035 Ω)

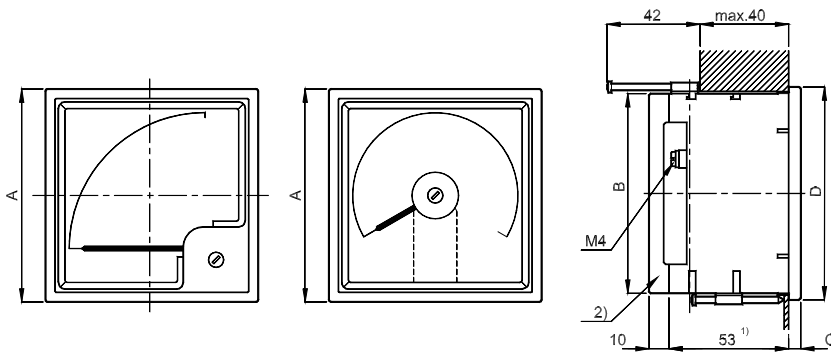
Order specifications

	Type	Scale type/Mounting ¹	Measuring range	Scale
Example:	DSM144	Horizontal	0...20mA DC	0...300A

¹) Horizontal or vertical scale

Dimensional details

Quadratic instruments (90° and 240°)



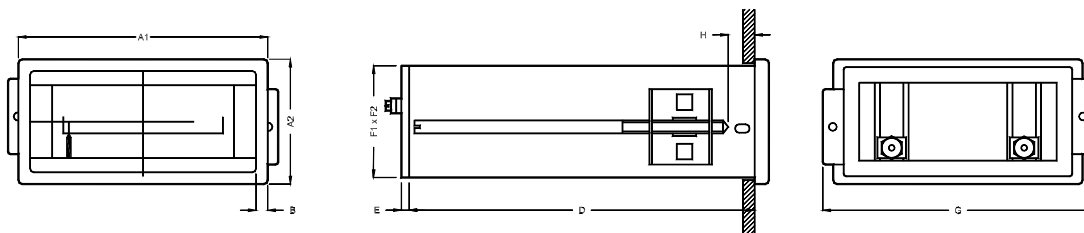
1) For range 15...40A = 59 mm

2) Protective power

All dimensions in mm

Type	A	C	B	Panel cut-out	Weight (approx.)
90° Moving coil and moving iron instruments					
Q48-x	48 x 48	5.0	42.8 x 48.8	45 x 45 +0.3	0.090 kg
Q72-x	72 x 72	5.5	66.5 x 66.5	68 x 68 +0.4	0.200 kg
Q96-x	96 x 96	5.5	90 x 90	92 x 92 +0.4	0.210 kg
Q144-x	144 x 144	8.0	136 x 136	138 x 138 +0.5	0.350 kg
240° Moving coil instruments					
DQ48-xc/c	48 x 48	5.0	42.8 x 48.8	45 x 45 +0.3	0.180 kg
DQ72-xc/c	72 x 72	5.5	66.5 x 66.5	68 x 68 +0.4	0.220 kg
DQ96-xc/c	96 x 96	5.5	90 x 90	92 x 92 +0.4	0.250 kg
DQ144-xc/c	144 x 144	8.0	136 x 136	138 x 138 +0.5	0.400 kg

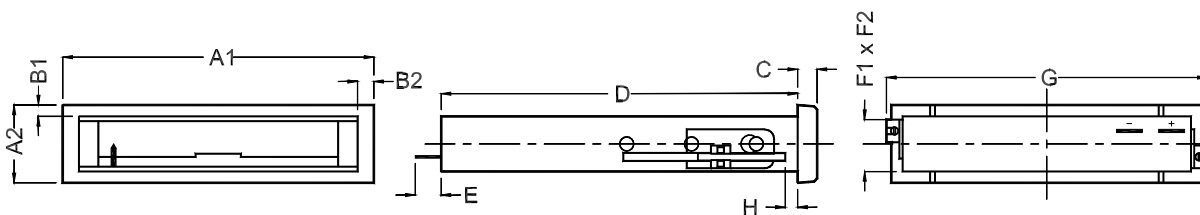
Edgewise moving coil instruments



All dimensions in mm

Type	A	B	C	D + E (max.)	E	F1 x F2	G	H	Panel cut-out	Weight (approx.)
DPR48	48 x 24	3	5	75	8	45 x 18	53	34	45 +0.6 x 22.2 +0.3	0.050 kg
DPR72	72 x 36	4	5	99	9	66 x 32.5	79	34	68 +0.7 x 33.0 +0.6	0.100 kg
DPR96	96 x 48	4.5	5.5	143	7	91 x 43	104	17	92 +0.8 x 45.0 +0.6	0.450 kg
DPR144	144 x 72	5.5	8	192	3	136 x 66	150	17	138 +1.0 x 68.0 +0.7	0.950 kg

Slim edgewise instruments



All dimensions in mm

Type	A	B	C	D	E	F1 x F2	G	H (max)	Panel cut-out	Weight (approx.)
DSM72	72 x 24	3.5 x 5	6	90	8	17 x 65	75	40	68 + .7 x 22.2 +0.3	0.080 kg
DSM96	96 x 24	3.5 x 5	6	110	8	17 x 89	99	40	92 +0.8 x 22.2 +0.3	0.100 kg
DSM144	144 x 36	4 x 6.5	7	164	9	32 x 137	147	40	138 +1.0 x 33.0 +0.6	0.240 kg

Due to our continuous development we reserve the right to supply equipment which may vary from the described.



DEIF A/S, Frisenborgvej 33
DK-7800 Skive, Denmark

Tel.: +45 9614 9614, Fax: +45 9614 9615
E-mail: deif@deif.com, URL: www.deif.com

