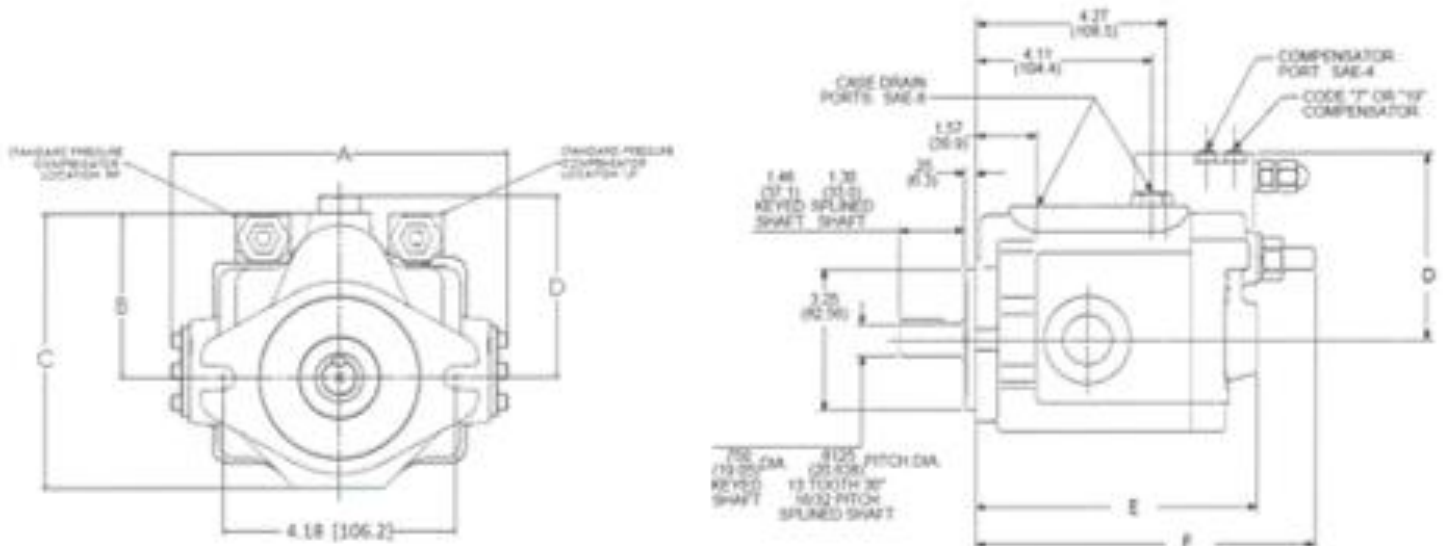


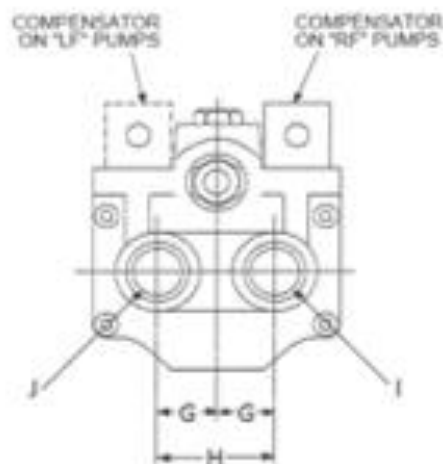


# HPVR-6 AXIAL PISTON PUMPS

## Rear Port Dimension Data



Dimensional Reference Data	Inch (mm)	HPV-6
A	6.29 (159.8)	6.11
B	3.09 (78.49)	3.47
C	5.53 (140.5)	5.62
D (STD Pressure Compensator)	3.38 (85.85)	3.47
D (Code 7 Remote & Code 19 Load Sense)	4.56 (115.8)	4.56
D (Code 26 Torque Limit)	9.97 (253.2)	9.97
E	6.92 (175.8)	SAME
F	8.59 (218.2)	SAME

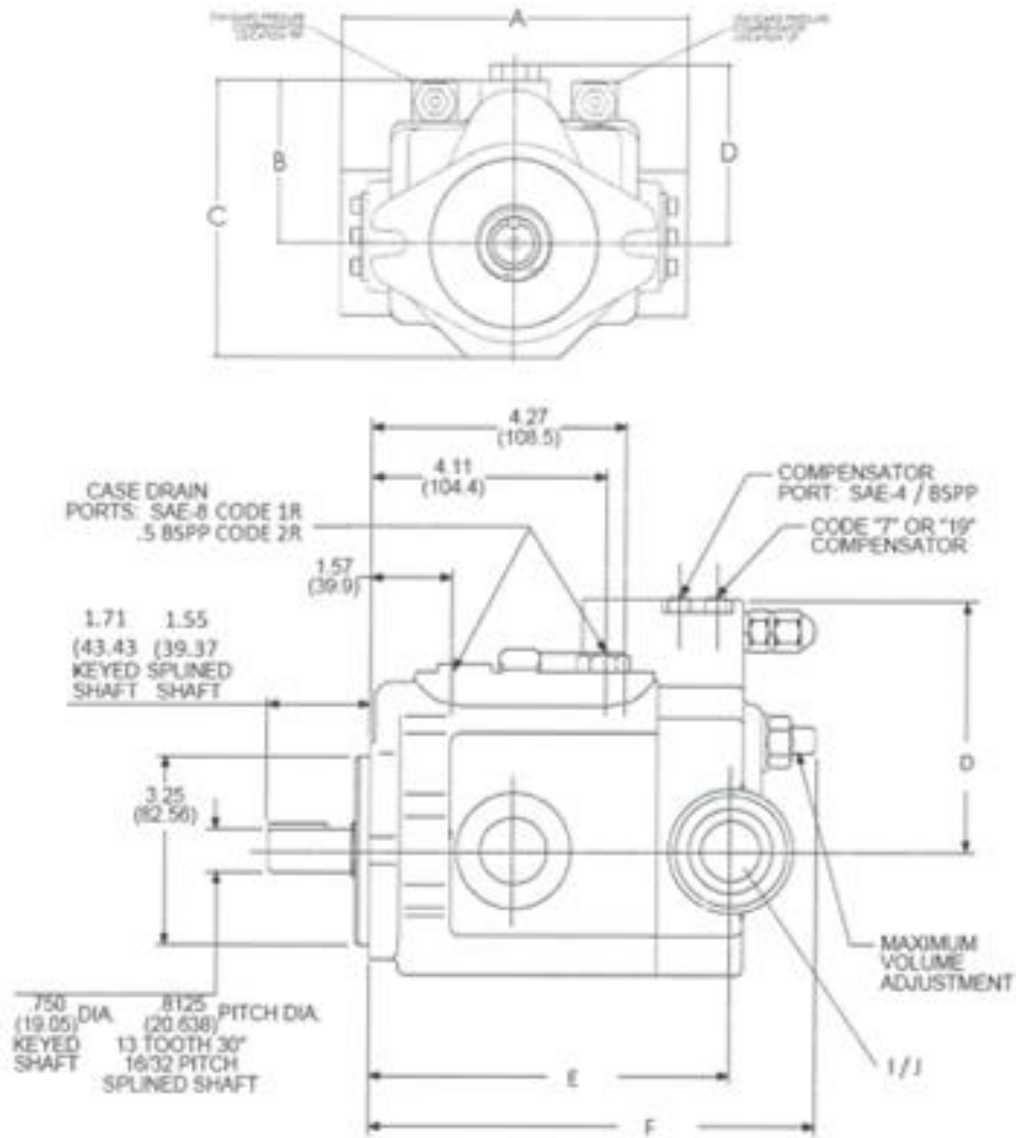


Dimensional Reference Data	Inch (mm)	HPV-6
G	1.125 (28.58)	SAME
H	2.25 (57.15)	SAME
I / J Code 1R - Rear SAE Porting	SAE-12	SAME
I / J Code 2R- Rear BSPP Porting	3/4 BSPP	NA



# HPVR-6 AXIAL PISTON PUMPS

## Side Port Dimension Data

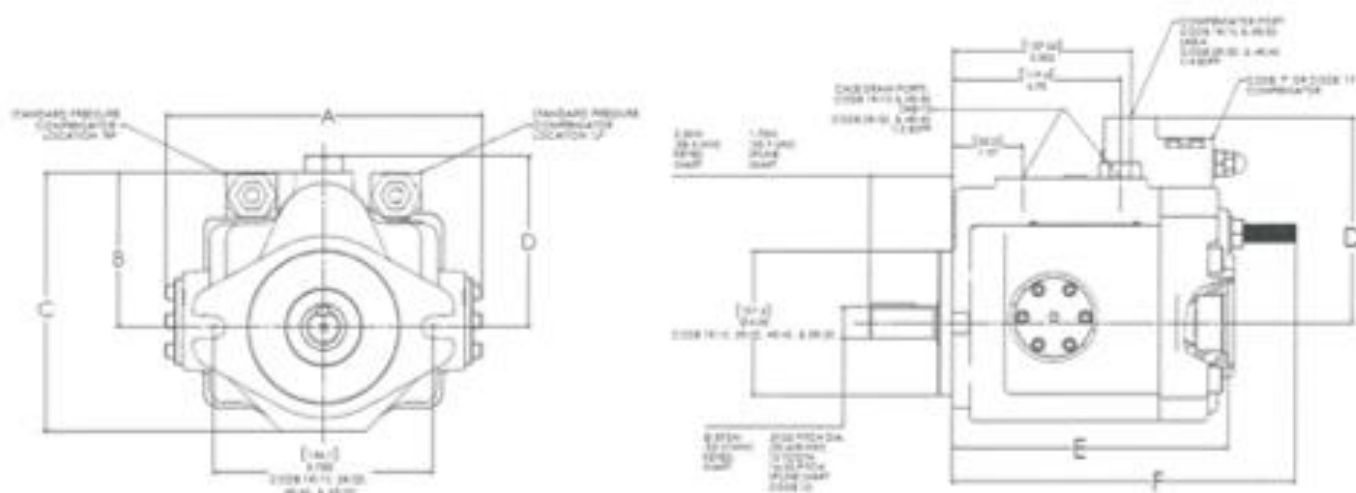


Dimensional Reference Data	Inch (mm)	HPV-6
A	6.52 (165.6)	SAME
B	3.09 (78.49)	3.47
C	5.53 (140.5)	5.62
D (STD Pressure Compensator)	3.38 (85.85)	3.47
D (Code 7 Remote & Code 19 Load Sense)	4.56 (115.8)	4.56
D (Code 26 Torque Limit)	9.97 (253.2)	9.97
E	6.52 (165.6)	SAME
F	8.24 (209.3)	SAME
I/J Code 1S - Side SAE Porting	SAE-12	SAME
I/J Code 2s- Side BSPP Porting	3/4 BSPP	NA

# HPVR-15 AXIAL PISTON PUMPS



## Rear Port Dimension Data



Dimensional Reference Data	Inch (mm)
A	8.31 (211.1)
B	4.02 (102.1)
C	6.74 (171.2)
D (STD Pressure Compensator)	4.45 (113)
D (Code 7 Remote & Code 19 Load Sense)	5.73 (145.5)
D (Code 26 Torque Limit)	8.84 (224.5)
E	7.73 (196.3)
F	9.62 (244.3)

HPV-15

7.43

4.57

6.93

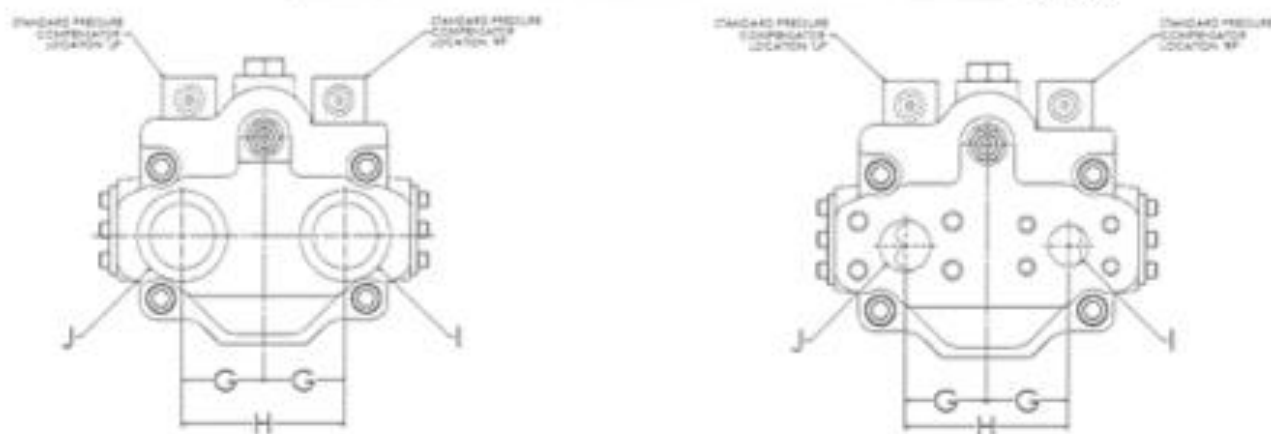
4.57

5.23

9.16

8.02

10.63



Dimensional Reference Data	Inch (mm)
G	2.06 (52.39)
H	4.125 (104.78)
I Code 1R - Rear SAE Porting	SAE-20
I Code 2R - Rear BSPP Porting	1-1/4 BSPP
I Code 4R - Rear 4 Bolt Flange (Metric Threads)	1 SF
I Code 5R - Rear 4 Bolt Flange (UNC Threads)	1 SF
J Code 1R - Rear SAE Porting	SAE-20
J Code 2R - Rear BSPP Porting	1-1/4 BSPP
J Code 4R - Rear 4 Bolt Flange (Metric Threads)	1-1/4 SF
J Code 5R - Rear 4 Bolt Flange (UNC Threads)	1-1/4 SF

Note: REAR Port Flange are code 61, Both Pressure and Suction

HPV-15

1.31

2.62

SAME

NA

NA

NA

NA

SAME

NA

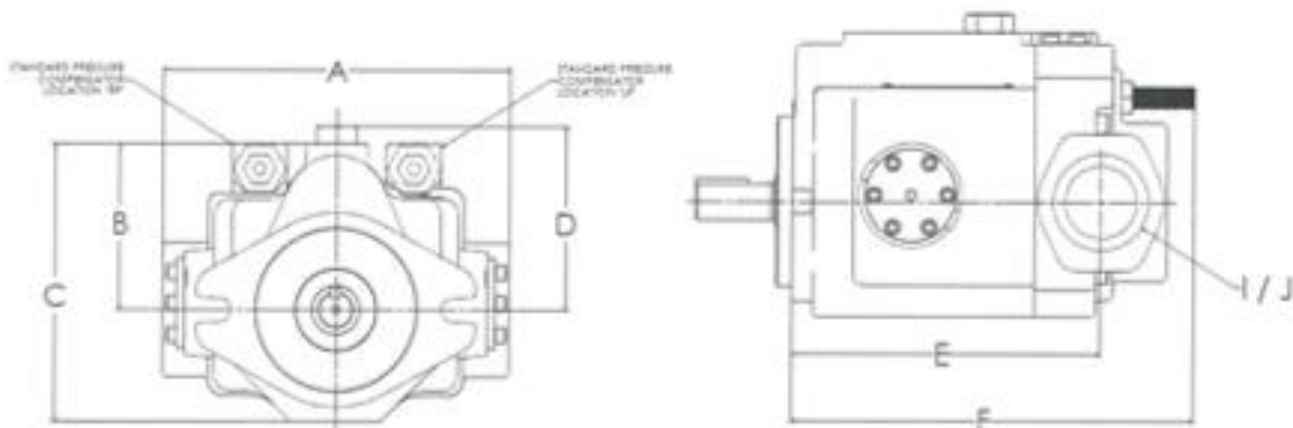
NA

NA



# HPVR-15 AXIAL PISTON PUMPS

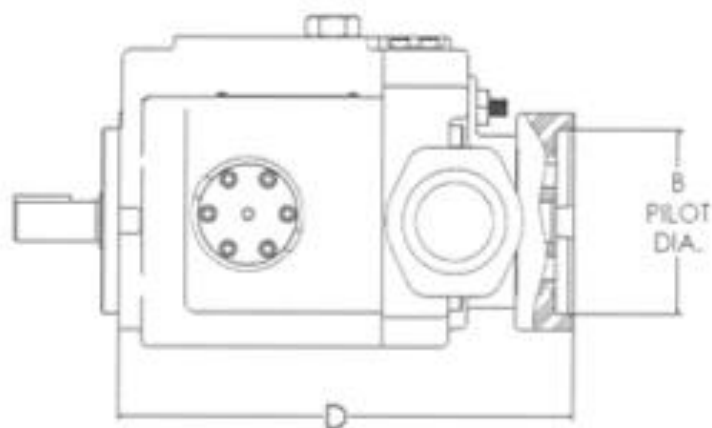
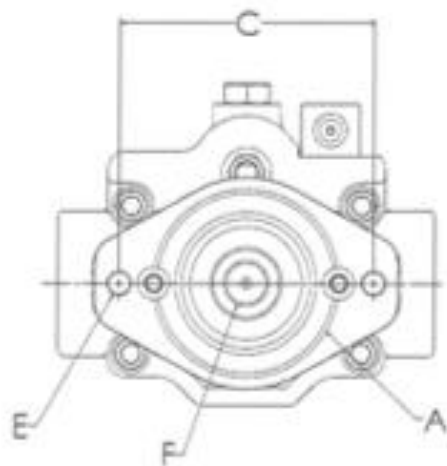
## Side Port Dimension Data



Dimensional Reference Data	Inch (mm)	HPV-15
A	8.5 (215.9)	7.72
B	4.02 (102.1)	4.57
C	6.74 (171.2)	6.93
D (STD Pressure Compensator)	4.45 (113)	4.57
D (Code 7 Remote & Code 19 Load Sense)	5.73 (145.5)	5.23
D (Code 26 Torque Limit)	8.84 (224.5)	9.16
E	7.39 (187.7)	7.12
F	9.62 (244.3)	9.81
I Code 1S - Side SAE Porting	SAE-20	SAME
I Code 4S- Side 4 Bolt Flange (Metric Threads)	1 SF	NA
I Code 5S- Side 4 Bolt Flange (UNC Threads)	1 SF	NA
J Code 1S - Side SAE Porting	SAE-20	SAME
J Code 4S- Side 4 Bolt Flange (Metric Threads)	2 SF	NA
J Code 5S- Side 4 Bolt Flange (UNC Threads)	2 SF	NA

Note: Suction Flange are code 61 and Pressure Flange are code 62

# HPVR-15 AXIAL PISTON PUMPS



CODE	MOUNTING PAD	DIMENSIONS Inches (mm)			
		A	B	C	D
21	SAE "A"	3.25 (82.6)	4.19 (106.4)	11.27 (86.26)	11.48
22	SAE "B"	4.00 (101.6)	5.75 (146.1)	11.43 (290.3)	11.26
31	SAE "A"	3.25 (82.6)	4.19 (106.4)	11.27 (86.26)	11.48
21D	SAE "A"	3.25 (82.6)	4.19 (106.4)	11.27 (86.26)	
22D	SAE "B"	4.00 (101.6)	5.75 (146.1)	11.43 (290.3)	
31D	SAE "A"	3.25 (82.6)	4.19 (106.4)	11.27 (86.26)	

\* This is the maximum horsepower or torque that can be

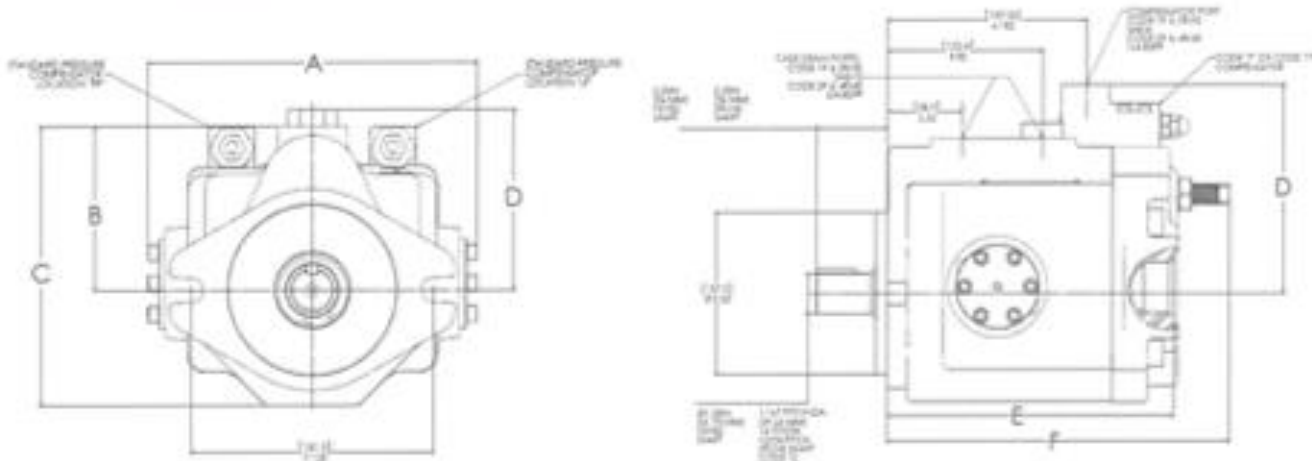
HPV-15 D	Thread	30° Involute Internal Spline	Maximum H.P. Rating* (at 1750 RPM)	Maximum Torque Rating* (in-lbs)
	E	F		
11.48	3/8-16 UNC	9 Tooth 16/32 Pitch 0.5625 Dia.	8.5	306
11.26	1/2-13 UNC	13 Tooth 16/32 Pitch 0.8125 Dia.	28.1	1012
11.48	3/8-16 UNC	13 Tooth 16/32 Pitch 0.8125 Dia.	28.1	1012
	M10	9 Tooth 16/32 Pitch 0.5625 Dia.	8.5	306
	M12	13 Tooth 16/32 Pitch 0.8125 Dia.	28.1	1012
	M10	13 Tooth 16/32 Pitch 0.8125 Dia.	28.1	1012

transmitted through the shaft coupling to the rear pump

# HPVR-29 AXIAL PISTON PUMPS



## Rear Port Dimension Data



Dimensional Reference Data	Inch (mm)
A	9.66 (245.4)
B	4.76 (120.9)
C	8.11 (206)
D (STD Pressure Compensator)	5.24 (133)
D (Code 7 Remote & Code 19 Load Sense)	6.41 (162.8)
D (Code 26 Torque Limit)	9.52 (241.8)
E	8.90 (226)
F	10.64 (270.3)

HPV-29

8.66

4.95

8.29

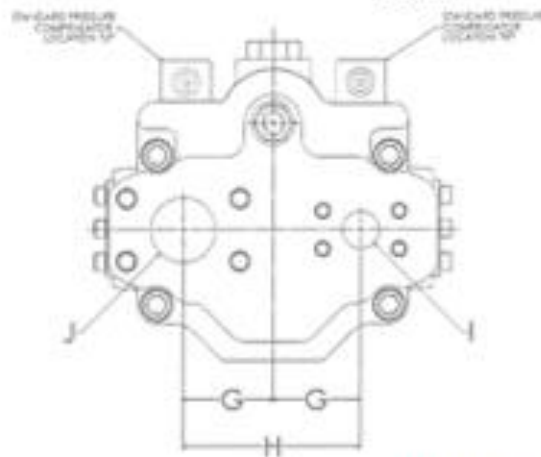
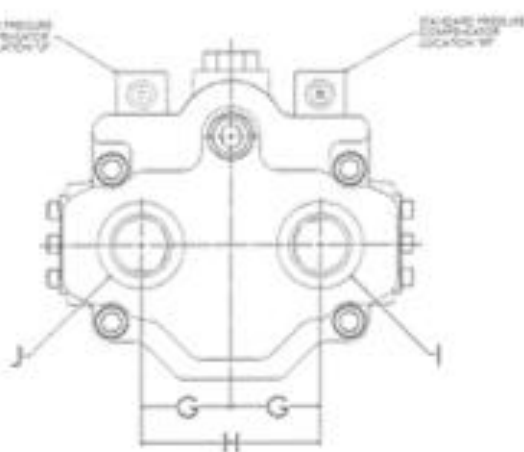
5.12

5.90

9.16

9.44

11.47



Dimensional Reference Data	Inch (mm)
G	2.375 (60.3)
H	4.75 (120.6)
I Code 1R - Rear SAE Porting	SAE-20
I Code 2R - Rear BSPP Porting	1-1/4 BSPP
I Code 4R - Rear 4 Bolt Flange (Metric Threads)	1.5F
I Code 5R - Rear 4 Bolt Flange (UNC Threads)	1.5F
J Code 1R - Rear SAE Porting	SAE-20
J Code 2R - Rear BSPP Porting	1-1/4 BSPP
J Code 4R - Rear 4 Bolt Flange (Metric Threads)	2.5F
J Code 5R - Rear 4 Bolt Flange (UNC Threads)	2.5F

Note: REAR Port Flange are code 61, Both Pressure and Suction

HPV-29

1.625

3.25

SAME

NA

NA

SAME

NA

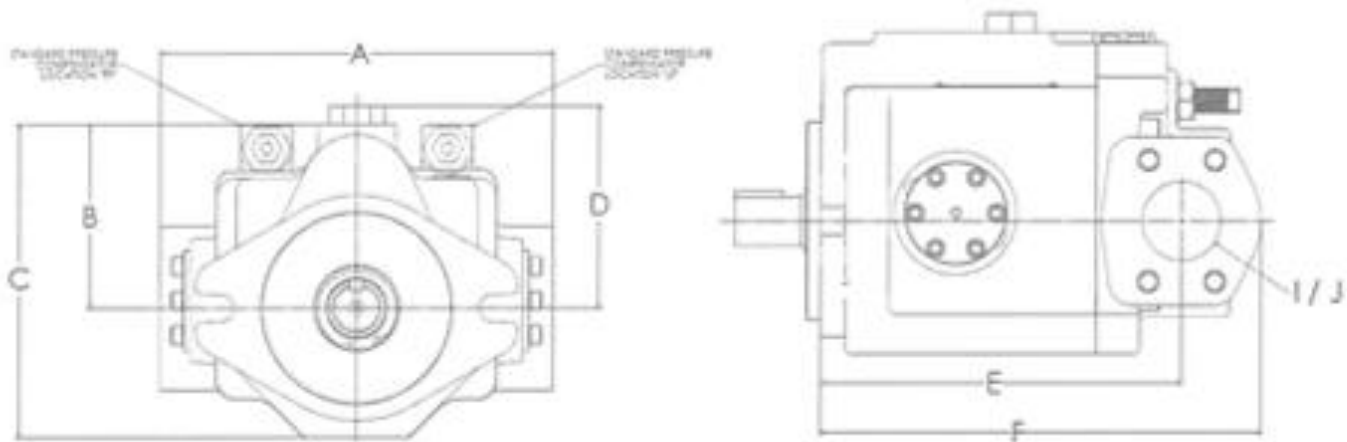
NA

NA



# HPVR-29 AXIAL PISTON PUMPS

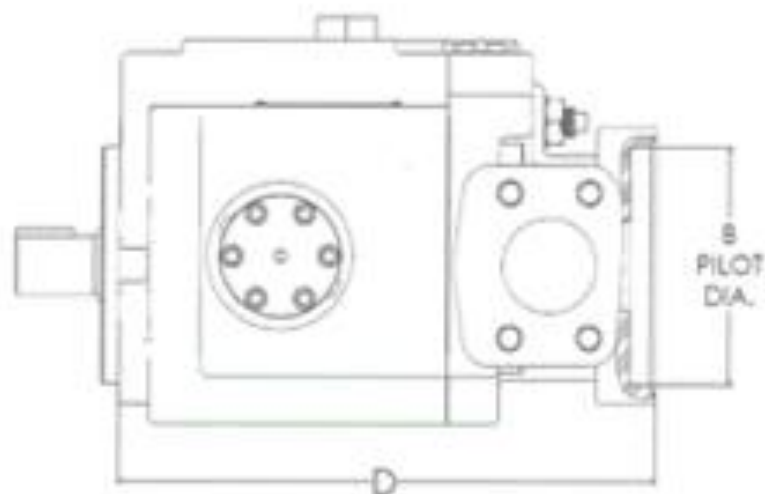
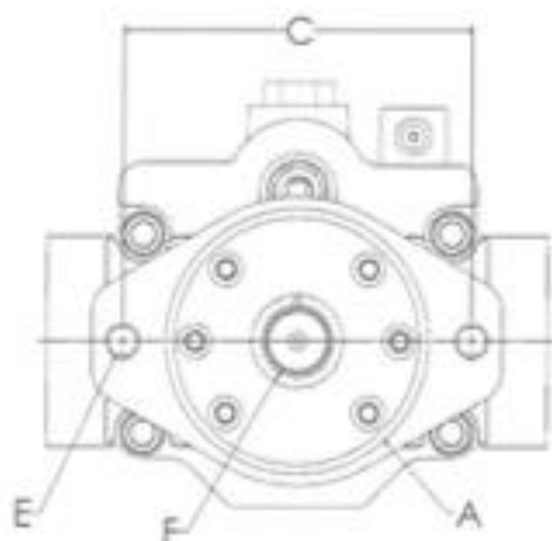
## Side Port Dimension Data



Dimensional Reference Data	Inch (mm)	HPV-29
A	10.24 (260.1)	8.66
B	4.76 (120.9)	4.95
C	8.11 (206)	8.29
D (STD Pressure Compensator)	5.24 (133)	5.12
D (Code 7 Remote & Code 19 Load Sense)	6.41 (162.8)	5.90
D (Code 26 Torque Limit)	9.52 (241.8)	9.16
E	9.16 (232.7)	9.97
F	11.12 (282.5)	11.6
I Code 45- Side 4 Bolt Flange (Metric Threads)	1.5F	1.5 SF Code 61
I Code 55- Side 4 Bolt Flange (UNC Threads)	1.5F	
J Code 45- Side 4 Bolt Flange (Metric Threads)	2.5F	1.5 SF Code 61
J Code 55- Side 4 Bolt Flange (UNC Threads)	2.5F	

Note: Suction Flange are code 61 and Pressure Flange are code 62

# HPVR-29 AXIAL PISTON PUMPS



CODE	MOUNTING PAD	DIMENSIONS Inches (mm)			
		A	B	C	D
21	SAE "A"	3.25 (82.6)	4.19 (106.4)	11.27 (86.26)	HPV-29 D
22	SAE "B"	4.00 (101.6)	5.75 (146.1)	11.43 (290.3)	
23	SAE "C"	5.00 (127.0)	7.13 (181.1)	11.55 (293.4)	
31	SAE "A"	3.25 (82.6)	4.19 (106.4)	11.27 (86.26)	
21D	SAE "A"	3.25 (82.6)	4.19 (106.4)	11.27 (86.26)	
22D	SAE "B"	4.00 (101.6)	5.75 (146.1)	11.43 (290.3)	
23D	SAE "C"	5.00 (127.0)	7.13 (181.1)	11.55 (293.4)	
31D	SAE "A"	3.25 (82.6)	4.19 (106.4)	11.27 (86.26)	

HPV-29

D

13.56

13.87

13.87

13.56

Thread	30° Involute Internal Spline	Maximum H.P. Rating* (at 1750 RPM)	Maximum Torque Rating* (in-lbs)
E	F		
3/8-16 UNC	9 Tooth 16/32 Pitch 0.5625 Dia.	8.5	306
1/2-13 UNC	13 Tooth 16/32 Pitch 0.8125 Dia.	28.1	1012
5/8-11 UNC	14 Tooth 12/24 Pitch 1.1667 Dia.	43.8	1577
3/8-16 UNC	13 Tooth 16/32 Pitch 0.8125 Dia.	28.1	1012
M10	9 Tooth 16/32 Pitch 0.5625 Dia.	8.5	306
M12	13 Tooth 16/32 Pitch 0.8125 Dia.	28.1	1012
M16	14 Tooth 12/24 Pitch 1.1667 Dia.	43.8	1577
M10	13 Tooth 16/32 Pitch 0.8125 Dia.	28.1	1012

\* This is the maximum horsepower or torque that can be

transmitted through the shaft coupling to the rear pump