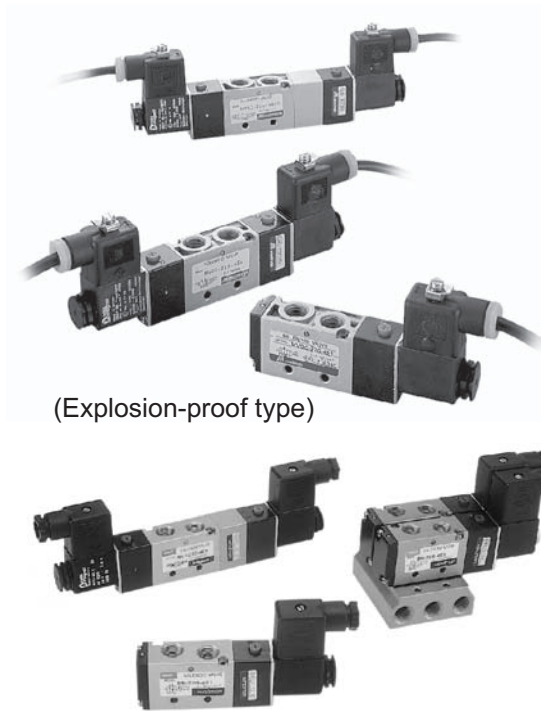


# MVSC-220 series

## SOLENOID VALVE



mindman



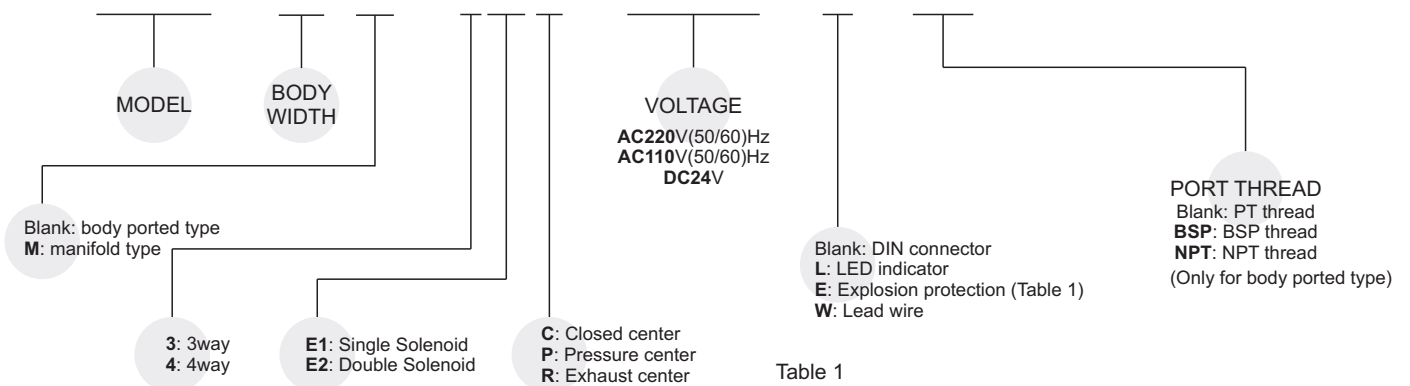
(Explosion-proof type)

### Specification:

| Model                    | MVSC-220-3E1,E2               | MVSC-220-4E1,E2 | MVSC-220-4E2C.P.R       |
|--------------------------|-------------------------------|-----------------|-------------------------|
| Bore No.                 | 8A                            |                 |                         |
| Port size                | PT 1/4                        |                 |                         |
| No. of port              | 3                             | 5               |                         |
| No. of position          | 2                             | 2               | 3                       |
| Medium                   | Air                           |                 |                         |
| Operating pressure range | 2~7 kgf/cm <sup>2</sup>       |                 | 3~7 kgf/cm <sup>2</sup> |
| Proof pressure           | 10 kgf/cm <sup>2</sup>        |                 |                         |
| Effective orifice        | 18 mm <sup>2</sup>            |                 | 16 mm <sup>2</sup>      |
| Response time            | 30 ms                         |                 | 40 ms                   |
| Ambient temperature      | -5~+50°C (No freezing)        |                 |                         |
| Voltage                  | AC110V, 220V (50/60)Hz, DC24V |                 |                         |
| Power consumption        | AC=6/4.9VA, DC=2.5W           |                 |                         |
| Available voltage range  | ±10%                          |                 |                         |
| Insulation class         | F class                       |                 |                         |
| Weight                   | 203 g                         | 296g            | 222 g 313 g 421 g       |

### Order example of valve:

**MVSC - 220M - 4E2C - AC110 - L - BSP**



### Order example of manifold:

**MVSC - 220M - 5M3 - BSP**

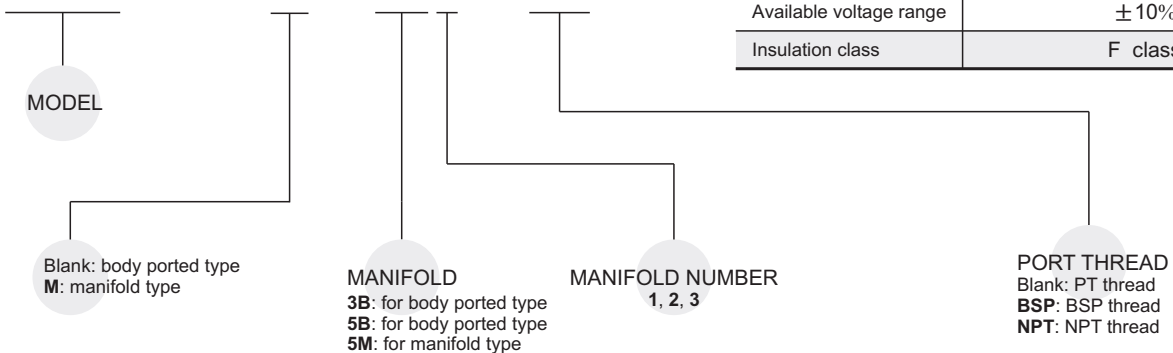


Table 1

### Property for explosion-proof type

|                         |                                 |
|-------------------------|---------------------------------|
| Anti-explosion class    | EEx m II T4                     |
| Voltage                 | AC110V, 220V, (50/60)Hz, DC24V. |
| Power consumption       | AC=4.4VA DC=5W                  |
| Available voltage range | ±10%                            |
| Insulation class        | F class                         |

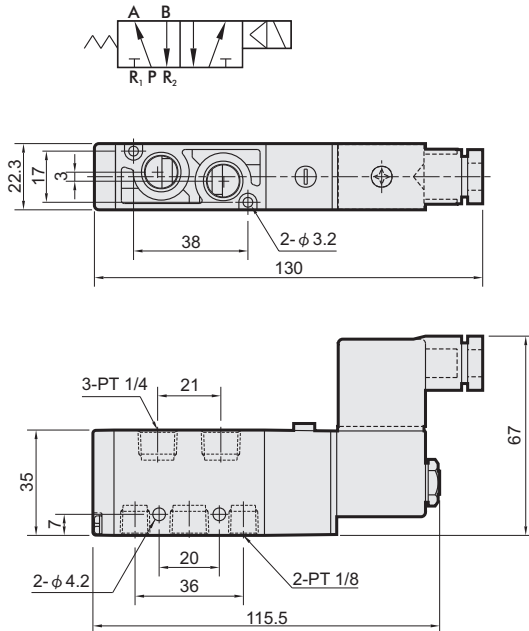
# MVSC-220

SOLENOID VALVE

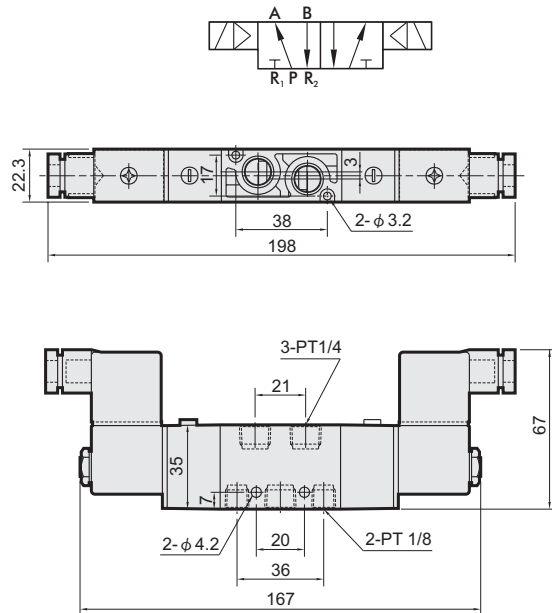


## Dimensions:

### MVSC-220-4E1



### MVSC-220-4E2

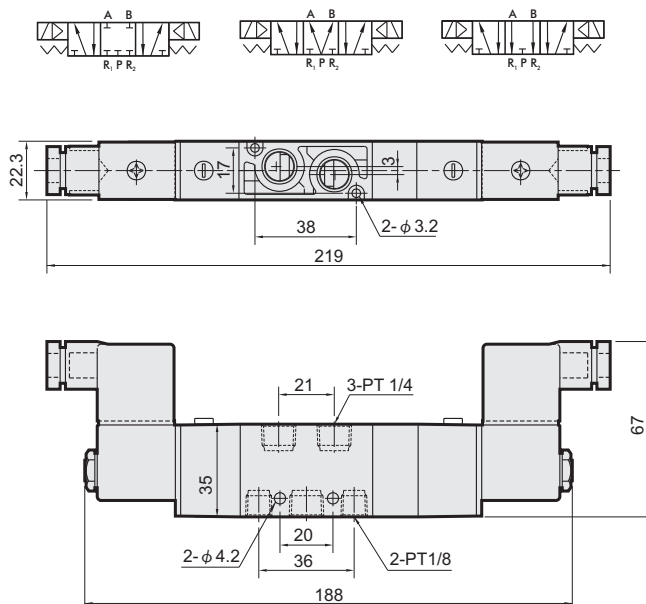


### MVSC-220-4E2C.PR

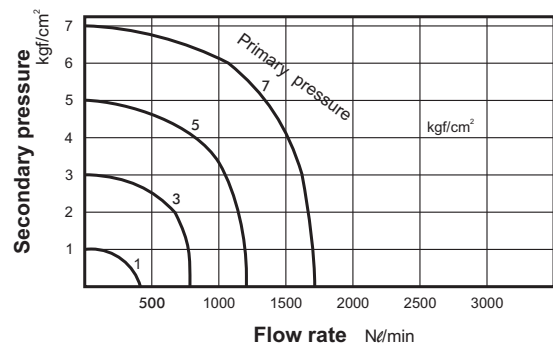
MVSC-220-4E2C

MVSC-220-4E2P

MVSC-220-4E2R



## Flow features:



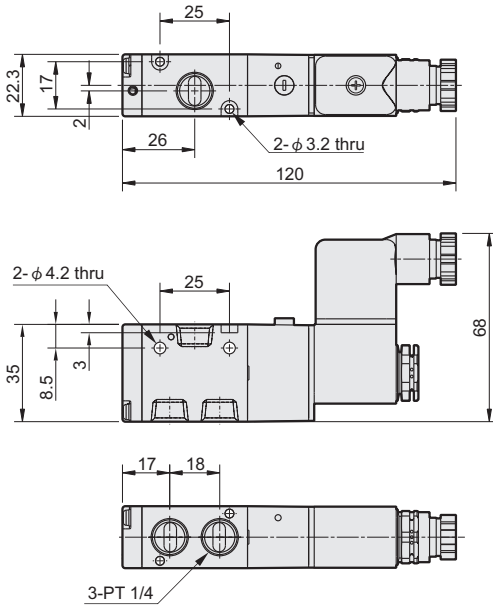
# MVSC-220

SOLENOID VALVE

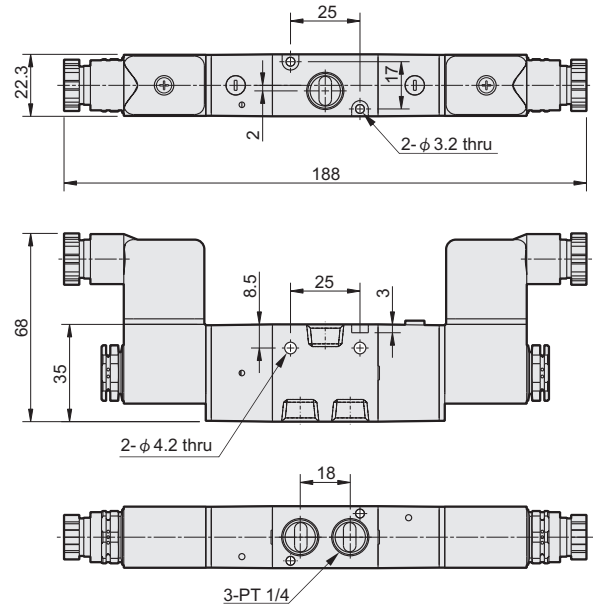
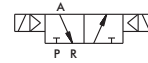


## Dimensions:

### MVSC-220-3E1-NC/NO

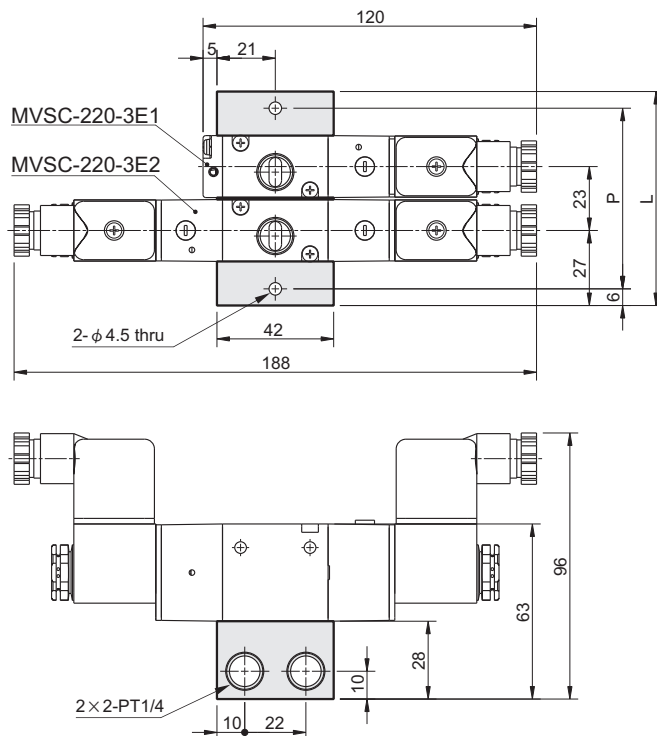


### MVSC-220-3E2



## Mnifold of solenoid valve

### MVSC-220-3B\*



| No. of stations | P   | L   |
|-----------------|-----|-----|
| 2               | 65  | 77  |
| 3               | 88  | 100 |
| 4               | 111 | 123 |
| 5               | 134 | 146 |
| 6               | 157 | 169 |
| 7               | 180 | 192 |
| 8               | 203 | 215 |
| 9               | 226 | 238 |
| 10              | 249 | 261 |

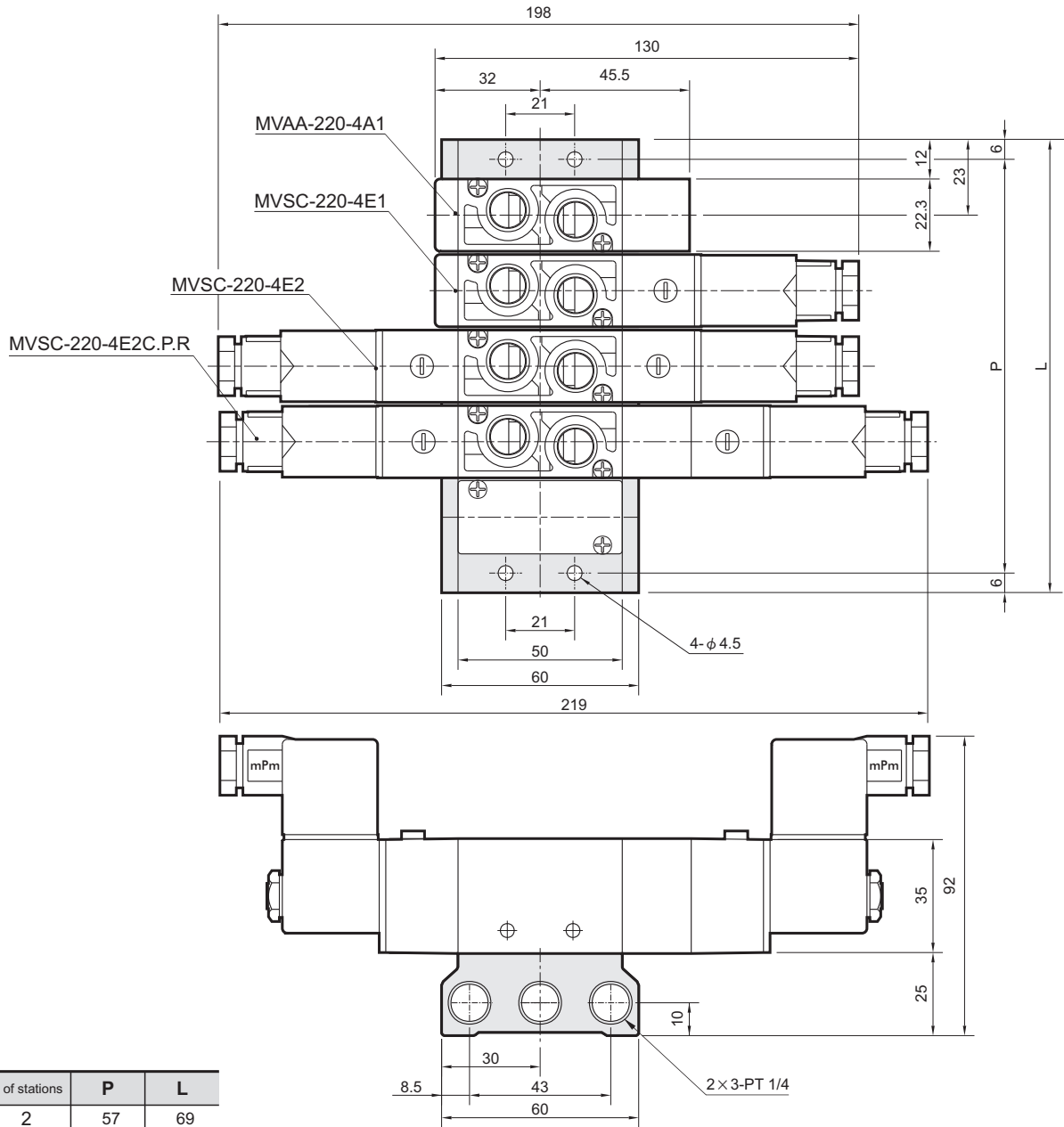
# MVSC-220

SOLENOID VALVE



Manifold of solenoid valve:

## MVSC-220-5B\*



| No. of stations | P   | L   |
|-----------------|-----|-----|
| 2               | 57  | 69  |
| 3               | 80  | 92  |
| 4               | 103 | 115 |
| 5               | 126 | 138 |
| 6               | 149 | 161 |
| 7               | 172 | 184 |
| 8               | 195 | 207 |
| 9               | 218 | 230 |
| 10              | 241 | 253 |

