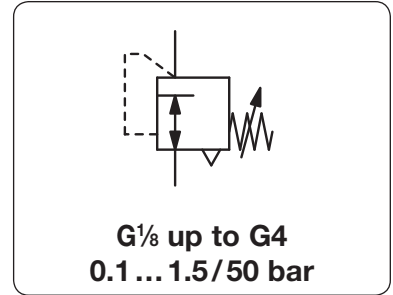


Brass Pressure Regulator up to 50 bar

R120

Description	Pressure regulator of solid design. Made of brass or bronze. Series R120-0..A to -0..E and R120-16 and -32 are equipped with diaphragms, all other are piston-operated.
Media	compressed air, non-corrosive gases or liquids
Adjustment	Supply pressure see chart, max. 50 bar, for liquids $\Delta p_{max} = 25$ bar R120-01/-A2: with adjusting screw, at R120-02 with black knob R120-04 to -B6: with T-handle R120-16: with hexagonal spindle (spanner size 24 mm) R120-16/-24/-32: by pilot pressure regulator
Relieving function	R120-16/-24/-32: non-relieving
Gauge port	R120-B6: relieving R120-01/-A2: G $\frac{3}{8}$ on both sides of the body, all others G $\frac{1}{4}$ on both sides of the body, one screw plug supplied
Temperature range	Mounting position any 0 °C bis 80 °C / 32 °F to 176 °F, for appropriately conditioned compressed air down to -20 °C / -4 °F or low temperature version down to -40 °C / -40 °F, optionally high temperature version up to 130 °C / 266 °F
Material	Body: brass at R120-02 to -04, bronze at R120-06 to -16, aluminium at R120-24/-32 O-ring: FKM, optionally EPDM Spring cage: brass at R120-01 to -04, aluminum at R120-06 to -32 Inner valve: brass Diaphragm: NBR/Buna-N with PTFE coating

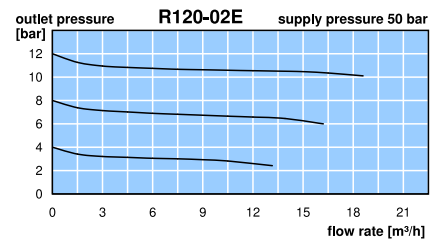
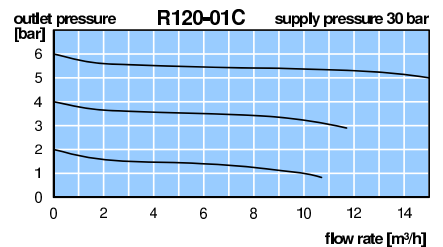
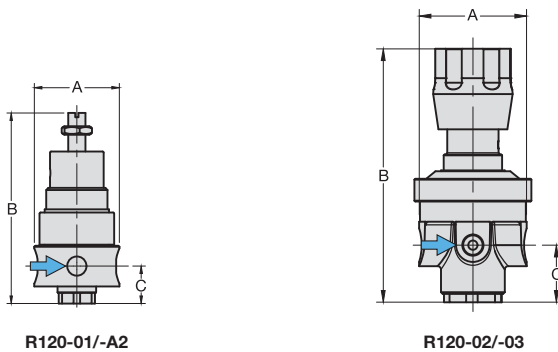


Dimensions			Regul. system	K _v -	Flow	Connection	P ₁	Pressure	Order
A	B	C	D: diaphragm	value	rate	thread	max.	range	number
mm	mm	mm	P: piston	(m ³ /h)	m ³ /h*1	G	bar	bar	

Brass pressure regulator			for compressed air, supply pressure max. 30 / 50 bar, relieving, without pressure gauge						R120	
40	88	18	D	0.20	8	130	G $\frac{3}{8}$	30	0.1 ... 1.5	R120-01A
			D		10	160		30	0.2 ... 3.0	R120-01B
			D		15	250		30	0.5 ... 8.0	R120-01C
			D		20	330		30	1 ... 15	R120-01E
40	88	18	D	0.20	8	130	G $\frac{1}{4}$	30	0.1 ... 1.5	R120-A2A
			D		10	160		30	0.2 ... 3.0	R120-A2B
			D		15	250		30	0.5 ... 8.0	R120-A2C
			D		20	330		30	1 ... 15	R120-A2E
63	140	34	D	0.35	16	260	G $\frac{1}{4}$	30	0.1 ... 1.5	R120-02A
			D		20	320		30	0.2 ... 3.0	R120-02B
			D		30	500		30	0.5 ... 8.0	R120-02C
			D		40	660		50	1 ... 15	R120-02E
63	141	34	P		50	840		50	2 ... 30	R120-02F
63	156	34	P		60	1000		50	3 ... 50	R120-02G
63	140	34	D	0.35	16	260	G $\frac{3}{8}$	30	0.1 ... 1.5	R120-03A
			D		20	320		30	0.2 ... 3.0	R120-03B
			D		30	500		30	0.5 ... 8.0	R120-03C
			D		40	660		50	1 ... 15	R120-03E
63	141	34	P		50	840		50	2 ... 30	R120-03F
63	156	34	P		60	1000		50	3 ... 50	R120-03G



Special options and Accessories, see separate page



*1 at max. supply pressure and max. outlet pressure

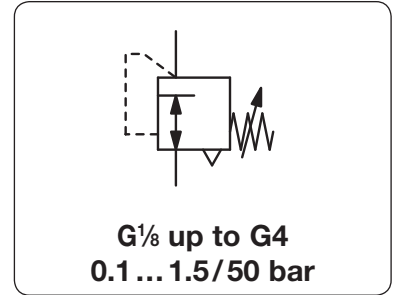
Gauges: see chapter for measuring devices

PDF CAD
www.aircom.net



Order example:
R120-01A

Description	Pressure regulator of solid design. Made of brass or bronze. Series R120-0..A to -0..E and R120-16 and -32 are equipped with diaphragms, all other are piston-operated.
Media	compressed air, non-corrosive gases or liquids
Adjustment	R120-01/-A2: with adjusting screw, R120-04 to -B6: with T-handle, R120-16/-24/-32: by pilot pressure regulator
Relieving function	R120-16/-24/-32: non-relieving
Gauge port	R120-01/-A2: G $\frac{1}{8}$ on both sides of the body, all others G $\frac{1}{4}$ on both sides of the body, one screw plug supplied
Temperature range	0 °C bis 80 °C / 32 °F to 176 °F, for appropriately conditioned compressed air down to -20 °C / -4 °F or low temperature version down to -40 °C / -40 °F, optionally high temperature version up to 130 °C / 266 °F
Material	Body: brass at R120-02 to -04, bronze at R120-06 to -16, aluminium at R120-24/-32 O-ring: FKM, optionally EPDM Spring cage: brass at R120-01 to -04, aluminium at R120-06 to -32 Inner valve: brass Diaphragm: NBR/Buna-N with PTFE coating



Dimensions			Regul. system	K _v -	Flow	Connection	P ₁	Pressure	Order
A	B	C	D: diaphragm	value	rate	thread	max.	range	number
mm	mm	mm	P: piston	(m ³ /h)	m ³ /h*1	G	bar	bar	

Brass pressure regulator										for compressed air, supply pressure max. 30 / 50 bar, relieving, without pressure gauge	R120
78	163	37	D	1.0	27	450	G $\frac{1}{2}$	30	0.1 ... 1.5	R120-04A	
			D		30	600		30	0.2 ... 3.0	R120-04B	
			D		40	830		30	0.5 ... 8.0	R120-04C	
			D		60	1250		50	1 ... 15	R120-04E	
78	159	37	P		100	2080		50	2 ... 30	R120-04F	
			P		120	2500		50	3 ... 50	R120-04G	
118	291	66	D	5.5	75	1250	G $\frac{3}{4}$	30	0.1 ... 1.5	R120-06A	
			D		98	1600		30	0.2 ... 3.0	R120-06B	
			D		170	2800		30	0.5 ... 8.0	R120-06C	
			D		280	4600		50	1 ... 15	R120-06E	
118	316	66	P		400	6600		50	2 ... 30	R120-06F	
			P		500	8300		50	3 ... 50	R120-06G	
118	291	66	D	5.5	75	1250	G1	30	0.1 ... 1.5	R120-08A	
			D		98	1600		30	0.2 ... 3.0	R120-08B	
			D		170	2800		30	0.5 ... 8.0	R120-08C	
			D		280	4600		50	1 ... 15	R120-08E	
118	316	66	P		400	6600		50	2 ... 30	R120-08F	
			P		500	8300		50	3 ... 50	R120-08G	



R120-04
accessory: gauge

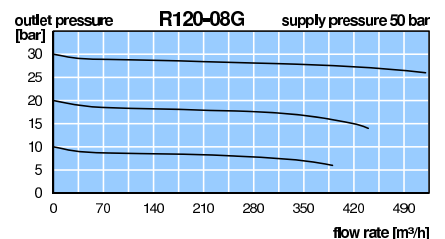
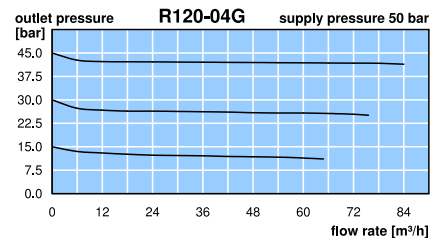
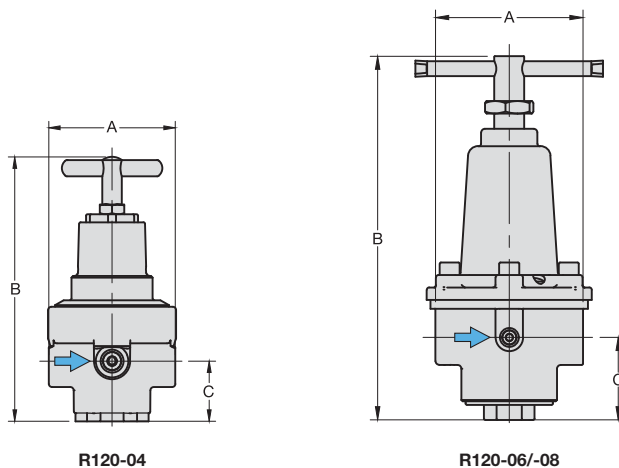


R120-08
accessory: gauge



4

Special options and Accessories, see separate page



*1 at max. supply pressure and max. outlet pressure

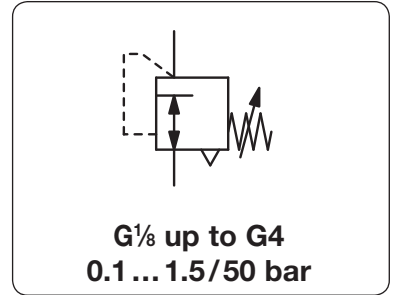
Gauges: see chapter for measuring devices

PDF CAD
www.aircom.net



Order example:
R120-04A

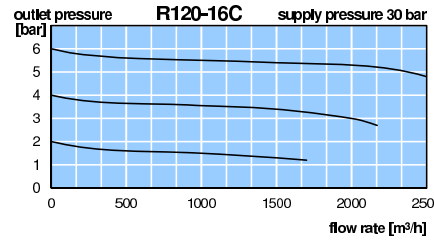
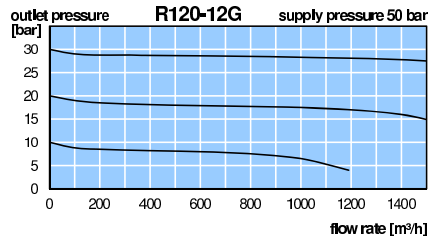
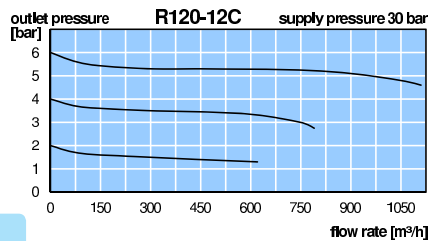
Description	Pressure regulator of solid design. Made of brass or bronze. Series R120-0..A to -0..E and R120-16 and -32 are equipped with diaphragms, all other are piston-operated.
Media	compressed air, non-corrosive gases or liquids
Adjustment	Supply pressure see chart, max. 50 bar, for liquids $\Delta p_{max} = 25$ bar R120-01/-A2: with adjusting screw, at R120-02 with black knob R120-04 to -B6: with T-handle, R120-16: with hexagonal spindle (spanner size 24 mm) R120-16/-24/-32: by pilot pressure regulator
Relieving function	R120-B6: relieving R120-16/-24/-32: non-relieving
Gauge port	R120-01/-A2: G $\frac{1}{8}$ on both sides of the body, all others G $\frac{1}{4}$ on both sides of the body, one screw plug supplied
Temperature range	Mounting position any 0 °C bis 80 °C / 32 °F to 176 °F, for appropriately conditioned compressed air down to -20 °C / -4 °F or low temperature version down to -40 °C / -40 °F, optionally high temperature version up to 130 °C / 266 °F
Material	Body: brass at R120-02 to -04, bronze at R120-06 to -16, aluminium at R120-24/-32 O-ring: FKM, optionally EPDM Spring cage: brass at R120-01 to -04, aluminium at R120-06 to -32 Inner valve: brass Diaphragm: NBR/Buna-N with PTFE coating



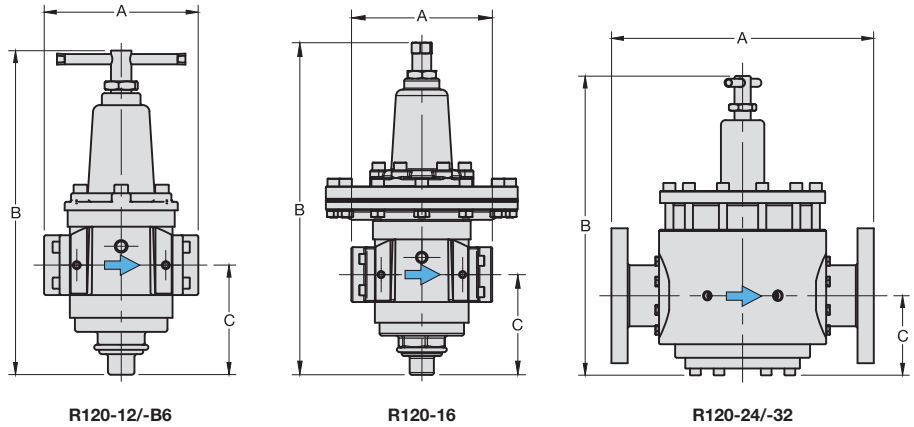
Dimensions			Regul. system	K _v -	Flow	Connection	P ₁	Pressure	Order
A	B	C	D: diaphragm	value	rate	thread	max.	range	number
mm	mm	mm	P: piston	(m ³ /h)	m ³ /h*1	G	bar	bar	

Brass pressure regulator for compressed air, supply pressure max. 30 / 50 bar, relieving, without pressure gauge **R120**

180	387	128	P	12.6	400	6600	G1½	30	0.1 ... 1.5	R120-12A
			P		670	11000		30	0.2 ... 3.0	R120-12B
			P		1000	16600		30	0.5 ... 8.0	R120-12C
			P		1500	25000		50	1 ... 15	R120-12E
180	402	128	P		1600	27000		50	2 ... 30	R120-12F
			P		2000	33000		50	3 ... 50	R120-12G
180	387	128	P	12.6	400	6600	G2	30	0.1 ... 1.5	R120-B6A
			P		670	11000		30	0.2 ... 3.0	R120-B6B
			P		1000	16600		30	0.5 ... 8.0	R120-B6C
			P		1500	25000		50	1 ... 15	R120-B6E
180	402	128	P		1600	27000		50	2 ... 30	R120-B6F
			P		2000	33000		50	3 ... 50	R120-B6G
180	425	128	D	26	1800	30000	G2	30	0.1 ... 1.5	R120-16AK
			D		2500	40000		30	0.3 ... 6.0	R120-16CK
180	379	128	D		3500	50000		30	1 ... 15	R120-16DK
389	463	118	D	70	2400	40000	flange	30	0.1 ... 1.5	R120-24AKF
			D		5000	83000	DN80	30	0.3 ... 6.0	R120-24CKF
			D		6000	99000		30	1 ... 15	R120-24DKF
389	463	118	D	70	2400	40000	flange	30	0.1 ... 1.5	R120-32AKF
			D		5000	83000	DN100	30	0.3 ... 6.0	R120-32CKF
			D		6000	99000		30	1 ... 15	R120-32DKF



Special options and Accessories, see separate page

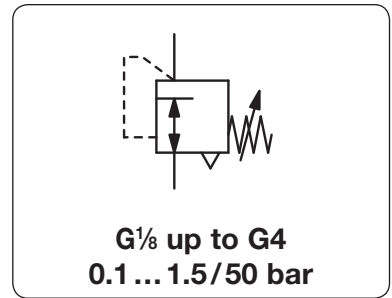


*1 at max. supply pressure and max. outlet pressure

Gauges: see chapter for measuring devices PDF CAD
www.aircom.net

Order example:
R120-12A

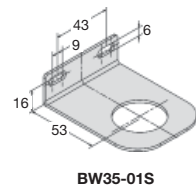
Description	Pressure regulator of solid design. Made of brass or bronze. Series R120-0..A to -0..E and R120-16 and -32 are equipped with diaphragms, all other are piston-operated.
Media	compressed air, non-corrosive gases or liquids
Adjustment	Supply pressure see chart, max. 50 bar, for liquids $\Delta p_{max} = 25$ bar R120-01/-A2: with adjusting screw, at R120-02 with black knob R120-04 to -B6: with T-handle R120-16: with hexagonal spindle (spanner size 24 mm) R120-16/-24/-32: by pilot pressure regulator
Relieving function	R120-B6: relieving R120-16/-24/-32: non-relieving
Gauge port	R120-01/-A2: G $\frac{1}{8}$ on both sides of the body, all others G $\frac{1}{4}$ on both sides of the body, one screw plug supplied
Temperature range	Mounting position any 0 °C bis 80 °C / 32 °F to 176 °F, for appropriately conditioned compressed air down to -20 °C / -4 °F or low temperature version down to -40 °C / -40 °F, optionally high temperature version up to 130 °C / 266 °F
Material	Body: brass at R120-02 to -04, bronze at R120-06 to -16, aluminium at R120-24/-32 O-ring: FKM, optionally EPDM Spring cage: brass at R120-01 to -04, aluminium at R120-06 to -32 Inner valve: brass Diaphragm: NBR/Buna-N with PTFE coating



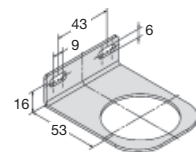
Dimensions			Regul. system	K _v -	Flow	Connection	P ₁	Pressure	Order
A	B	C	D: diaphragm	value	rate	thread	max.	range	number
mm	mm	mm	P: piston	(m ³ /h)	m ³ /h*1	l/min*1	G	bar	bar

Special options, add the appropriate letter

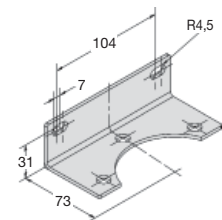
NPT	connection thread		R120-...N
non-relieving	without relieving function	up to R120-B6	R120-...K
down to -40 °C	low temperature version	up to R120-04	R120-...X51
up to 130 °C	high temperature version	up to R120-04	R120-...X54
EPDM o-ring	PTFE diaphragm		R120-...E
T-handle	instead of plastic knob	for R120-02	R120-02.T
PWIS-free	for painting plants		R120-...LA
carbon dioxide	CO ₂		R120-...K03
argon	Ar		R120-...K05
nitrogen	N ₂		R120-...K07
helium	He		R120-...K09
hydrogen	H ₂		R120-...K11
methane	CH ₄		R120-...K13
natural gas *3			R120-...K14
oxygen	O ₂		R120-...K15
propane	C ₃ H ₈		R120-...K16
nitrous oxide	N ₂ O		R120-...K17
water	H ₂ O		R120-...KW
flange connection	standard for R120-32, otherwise see chapter SST devices /flanges		R120-...F.



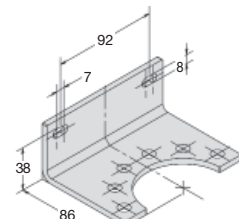
BW35-01S



BW50-01S



BW00-42



BW00-43



Accessories

pressure gauge	Ø 40 mm, 0...*2 bar, G $\frac{1}{8}$	for G $\frac{1}{8}$ and G $\frac{1}{4}$ (A2)	MA4001-...*2
	Ø 50 mm, 0...*2 bar, G $\frac{1}{4}$	for G $\frac{1}{4}$ (02) and G $\frac{1}{2}$	MA5002-...*2
	Ø 50 mm, 0...60 bar, G $\frac{1}{4}$	for G $\frac{1}{4}$ and G $\frac{1}{2}$	MA5002-60
	Ø 63 mm, 0...*2 bar, G $\frac{1}{4}$	for G $\frac{3}{4}$ up to G4	MA6302-...*2
	Ø 63 mm, 0...60 bar, G $\frac{1}{4}$	for G $\frac{3}{4}$ up to G4	MA6302-60
gauge up to 130 °C	Ø 63 mm, 0...*2 bar, G $\frac{1}{4}$, stainless steel		MS6302-...*2
mounting bracket	made of stainless steel	for G $\frac{1}{4}$	BW35-01S
mounting nut	made of stainless steel	for G $\frac{1}{4}$	M35x1,5S
mounting bracket	made of stainless steel	for G $\frac{1}{2}$	BW50-01S
mounting nut	made of stainless steel	for G $\frac{1}{2}$	M50x1,5S
mounting bracket	made of steel	for G $\frac{3}{4}$ and G1	BW00-42
		for G $\frac{1}{2}$ and G2 (B6)	BW00-43

*1 at max. supply pressure and max. outlet pressure

*2 02 = 0...2.5 bar, 04 = 0...4 bar, 06 = 0...6 bar, 10 = 0...10 bar, 16 = 0...16 bar

*3 without DVGW approval

Gauges: see chapter for measuring devices

PDF CAD
www.aircom.net



Order example:
MA4001-02