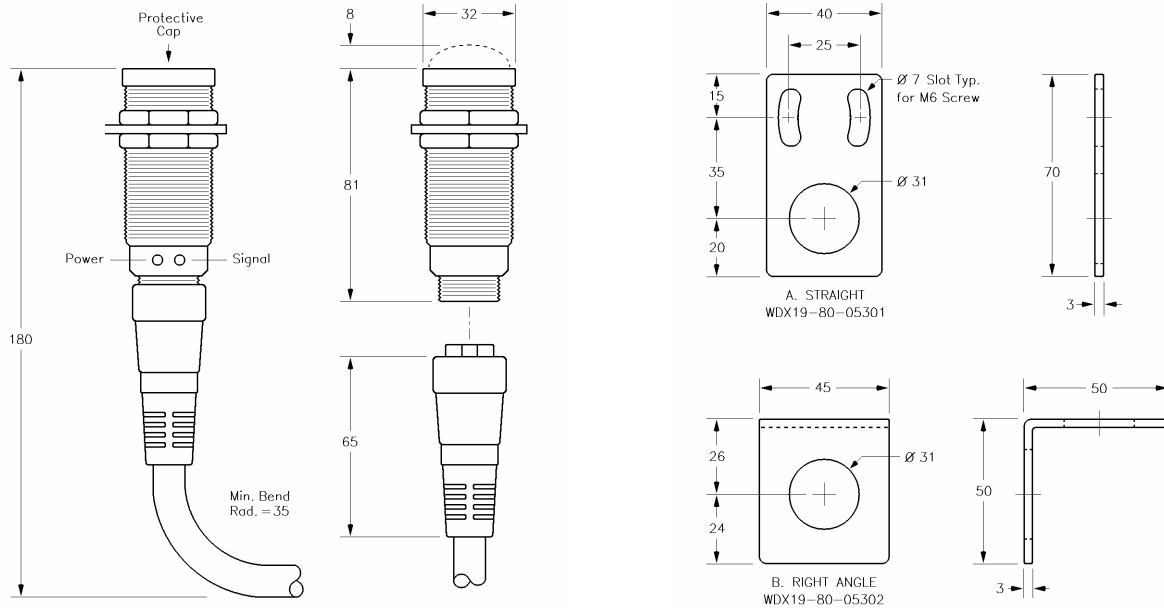


DF1T30

AC PROXIMITY SENSOR KIT - 30MM

ELECTRICAL EQUIPMENT
WDX19-80M-01



Mounting Kit	Ford Part Number
Straight	WDX19-80-01301[C]-[L]
Right Angle	WDX16-80-01302[C]-[L]

Cable Conn.	[C]
Straight	S
Right Angle	R

Application Note

Used for Part In Sensing in all dies. The effective sensing range is 0-8mm. Specify straight or right angle bracket, connector type [C] and length in meters (L = 1, 2, 3 or 4). See WDX19-80M, Page 4 for cable specification.

Det	Amt	Ordering Example	JBL Part Number
XX	1	WDX19-80-01301[C]-[L] AC PROXIMITY SENSOR KIT, 30MM STRAIGHT – [L]M CABLE	DF1T30A-[C][L]
XX	1	WDX19-80-01302[C]-[L] AC PROXIMITY SENSOR KIT, 30MM RT ANGLE – [L]M CABLE	DF1T30B-[C][L]

Part Specification

Det	Amt	Part Number	Description
A	1	WDX19-80-0330	Proximity Sensor, 30mm 3-Pin Mini AC x 10mm Range
B	2	DIN 6796	Serrated Washer, M30
C	1	SC30	Sensor Cap, 30mm
D	1	WDX-19-80-05301	Sensor Mounting Kit, 30mm Straight (WDX19-80-01301 Only)
		WDX-19-80-05302	Sensor Mounting Kit, 30mm Rt Angle (WDX19-80-01302 Only)
E	1	WDX19-80-0401-[L]	Extension Cable, 3-Pin Mini Male-Female Straight x [L]M Length (S Only)
		WDX19-80-0402-[L]	Extension Cable, 3-Pin Mini Male-Female Rt. Angle x [L]M Length (R Only)