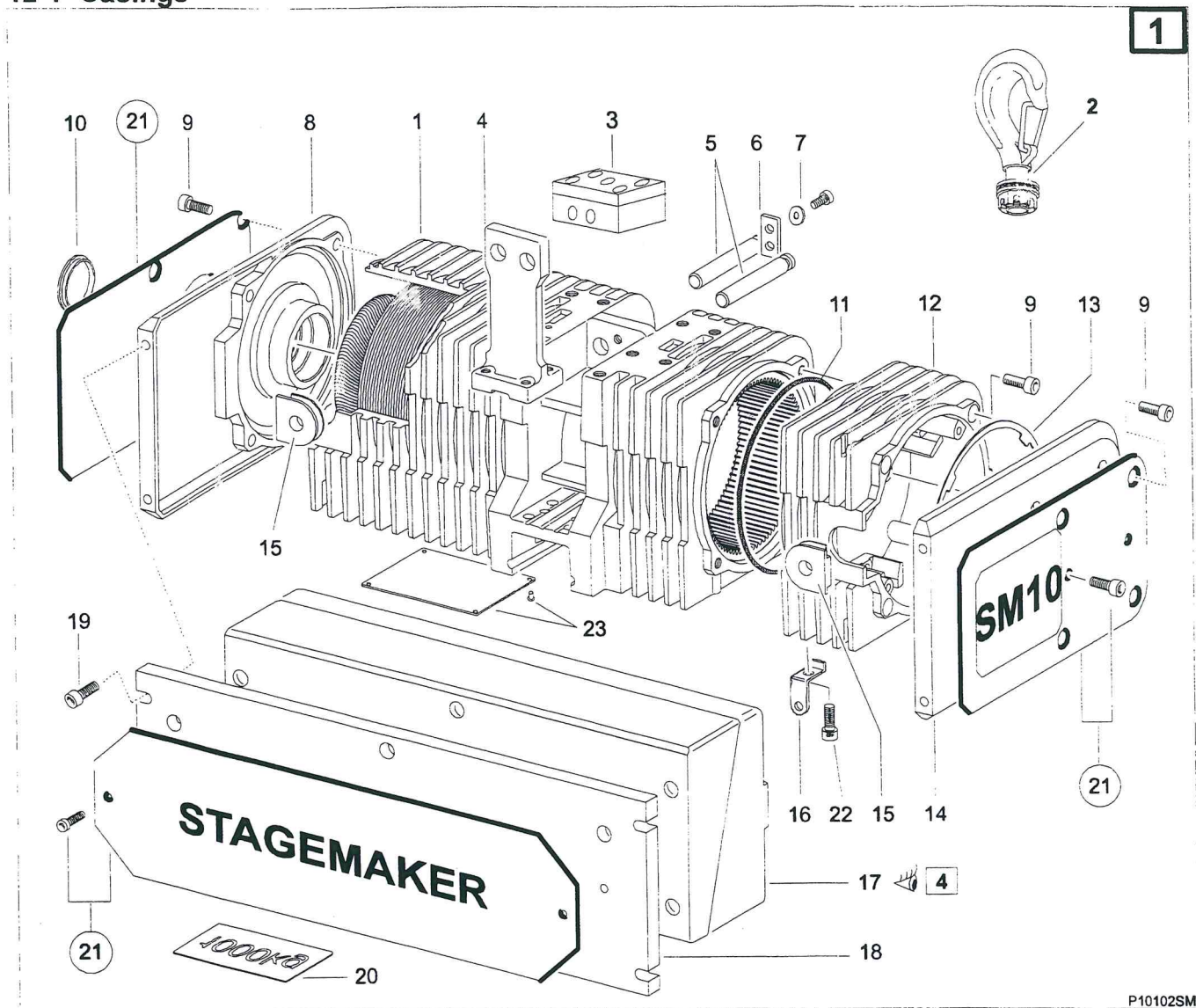


12 - Illustrated catalogue

12-1 Casings



P10102SM

Item	Reference	Description	Qty	Observations
1	2240024	Main casing assembled	1	
2	Rotating hook	1	
3	Rotating hook fixing	1	
4	2242011	Suspension member	1	
5	2247007	Pin	2	
6	2247008	Locking plate	1	
7	830909	Screw M6x20 DIN 912	1	
	8560610	Safety washer	1	
8	2240005	Motor end cap	1	
9	8110051	Screw M6x20 DIN 7500	12	
10	2218001	Cap	1	
11	8381502	O-ring Ø 2 x 150	1	
12	2240004	Brake cap	1	refer to page 12.2
13	2240002	Sealing ring	1	
14	2248007	Brake endcap	1	
15	2218004	Cable guide	2	
16	2213020	Cable fastening bracket	1	
17	Electric box	1	refer to page 12.4
18	2243008	Counter weight	1	
19	8110051	Screw M 6-20st. DIN 7500-E	4	
20	Load plate	1	when ordering, specify the load
21	2246051	Marking assembly SM10	1	(630 to 2000kg)
22	830905	Screw M8-20DIN7500-E	1	