

Ref. : CA 3241.pas

Rev. : I

Date : 13/04/2016

Page : 1/1

FLANGED TYPE AXIAL CHECK VALVE

CA 3241



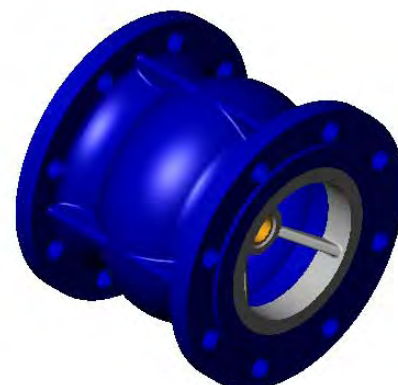
Epoxy coating RAL 5017 thickness 150 microns

APPLICATION

General uses: pumping, irrigation, industry, clean water.

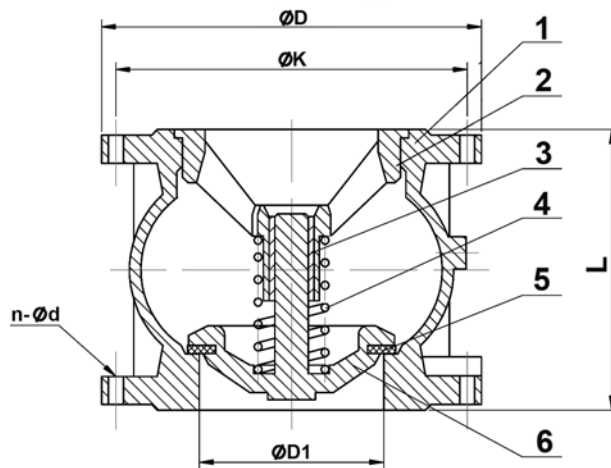
GENERAL CHARACTERISTICS

From DN 50 to DN 300.
Fabrication according to EN 12334.
Excellent tightness.
Low head loss.
Extremely reliable.
Excellent hydraulic result.
Simplicity in mounting and use.



CONSTRUCTION

| | | | | |
|-------------|-------------|--------------------|-------------------------------|--|
| 6 | 1 | Disc | Ductile iron EN-GJS-400-15 | DIN: GGG40 ASTM: A536 65-45-12 BS: EN-JS1030 |
| 5 | 1 | Seal | Nitril | |
| 4 | 1 | Spring | Stainless steel 316 | |
| 3 | 2 | Guiding stem | F4 | |
| 2 | 1 | Guide | Ductile iron EN-GJS-400-15 | DIN: GGG40 ASTM: A536 65-45-12 BS: EN-JS1030 |
| 1 | 1 | Body | Cast iron EN-GJL-250 | DIN: GG25 ASTM: A48 class 40B BS: 1452 Grade 250 |
| Pos. | Q-ty | Description | Material | |



DIMENSIONS

| DN | | L | Ø D | Ø K | Ø D1 | n x Ø L | Weight (kg) |
|-----|--------|-----|-----|-----|------|-----------|-------------|
| mm | inch | | | | | | |
| 50 | 2" | 100 | 165 | 125 | 50 | 4 x 19 | 5,09 |
| 65 | 2 1/2" | 120 | 185 | 145 | 65 | 4 x 19 | 7,85 |
| 80 | 3" | 140 | 200 | 160 | 80 | 8 x 19 | 9,53 |
| 100 | 4" | 170 | 220 | 180 | 105 | 8 x 19 | 13,2 |
| 125 | 5" | 200 | 250 | 210 | 127 | 8 x 19 | 20,5 |
| 150 | 6" | 230 | 285 | 240 | 145 | 8 x 23 | 29,6 |
| 200 | 8" | 301 | 340 | 295 | 194 | 12 x 23 | 47,3 |
| 250 | 10" | 370 | 405 | 355 | 245 | 12 x 26.5 | 68 |
| 300 | 12" | 410 | 460 | 410 | 300 | 12 x 26.5 | 112 |

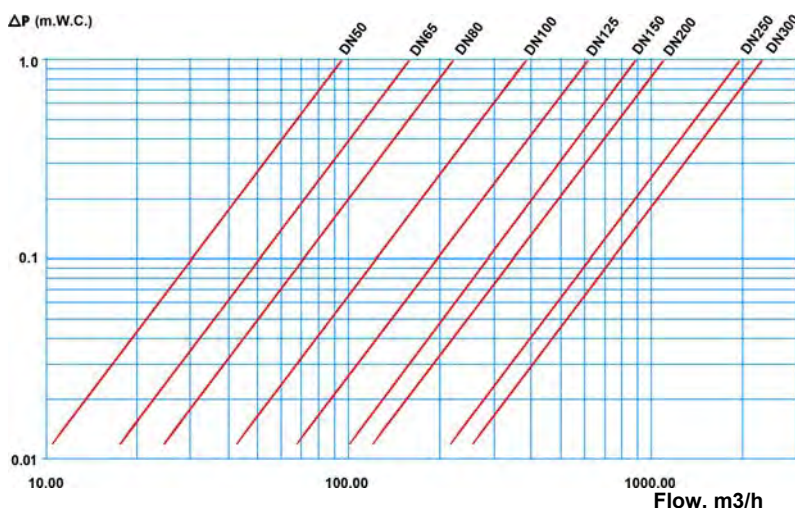
WORKING CONDITIONS

Maximum working pressure : 16 bar.
Maximum temperature : +80°C.

Pressure test according to standards
EN 12266-1, DIN 3230, BS 6755 and ISO 5208 :
Body : 24 bar.
Seat : 17,6 bar.

STANDARDS

Flanges drilled according to EN 1092-2 and
DIN 2501/1 : ISO PN16. ASA 150 on request.



TECOFI France - 83, Rue Marcel Mérieux 69960 Corbas - FRANCE
Tél. +33 (0) 4 72 79 05 79 - Fax +33 (0) 4 78 90 19 19 / +33 (0) 4 72 79 05 70
Adresses e-mail : sales@tecofi.fr ; tecofi@tecofi.fr / Site web : www.tecofi.fr