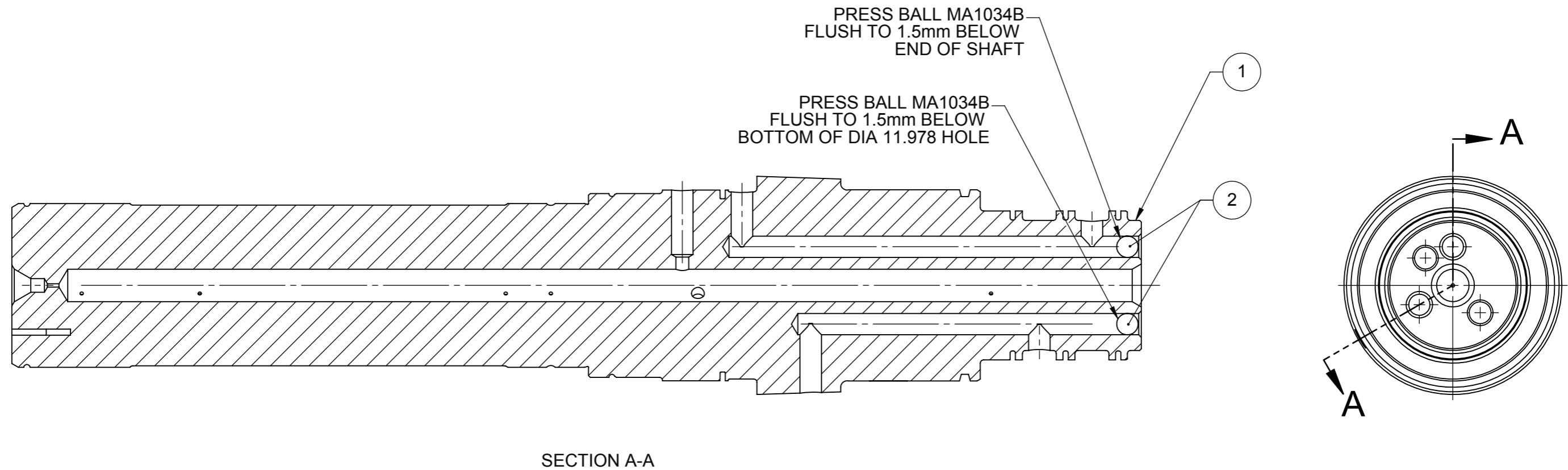


BILL OF MATERIAL

ITEM NO.	QTY.	PART NO.	DESCRIPTION
* 1	1	1019953A	SHAFT, CLUTCH
2	2	MA1034B	BALL, STEEL

* NOT SERVICEABLE SEPERATELY.



SECTION A-A

-	ECNWF-22565	12/09/2011
REV	CHANGE NO.	DATE

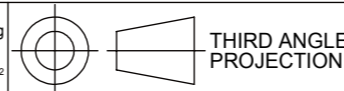


RACINE, WI 53403 - USA

1019954C

FIRST USE ASSEMBLY: 1022203B
 FIRST USE MODEL: MGX-5321DC
 SIMILAR TO:

WEIGHT: 19.15 kg
 WR²: 0.02 kg-m²



MATERIAL: SEE DETAILS

DATE: 11/14/2011

HEAT TREAT: SEE DETAILS

SCALE: 1:2
 DRAWN BY: MG

DESCRIPTION: SHAFT ASSY

CHECKED BY: JMF
 APPROVED BY: ALC

METRIC

UNLESS OTHERWISE SPECIFIED
 MACHINED DIMENSIONS
 X ±0.75
 X.X ±0.25
 X.XX ±0.13
 ALL ANGULAR TOLERANCES ±1°
 GEOMETRIC TOLERANCING
 PER ASME Y14.5M 1994

NOTICE! THIS PRINT CONTAINS PROPRIETARY INFORMATION AND IS NOT TO BE USED IN ANY MANNER DETRIMENTAL TO THE INTEREST OF **TWIN DISC, INCORPORATED**. THIS NOTICE IS NOT INTENDED TO NULLIFY OR LIMIT RIGHTS GRANTED TO THE U.S. GOVERNMENT OR OTHERS BY CONTRACT.

DWG SIZE: A3	SHEET: 1 OF 1	REV: -
--------------	---------------	--------