

## LEAB DC-DC Converter, 24 V – 12 V (Model SP21030C10)

### About the Device

SP series voltage converters are specifically designed for special-purpose vehicles and are just perfect for operating devices in a dual voltage wiring system. The converters are protected against reverse polarity, short-circuit, over- and under voltage, high current peaks and ground offset. They are easy to install and even withstand harsh environments. Existing supply systems do not require modification.



### Technical Data

Technical Data	
Input voltage	13 V ... 33 V
Input current, max	21 A
Output voltage	13.5 V (13.0 V ... 14.0 V)
Output current, total	30 A (max 34 A)
Quiescent current, max	15 mA
Efficiency	92 %
Operating temperature	-40 °C ... 85 °C (reduced output from 85 °C)
Heat sink temperature, max	105 °C
Protection type	IP67
Dimensions (L x W x H)	192 x 144 x 62 mm
Weight	1.71 kg

### Scope of Supply

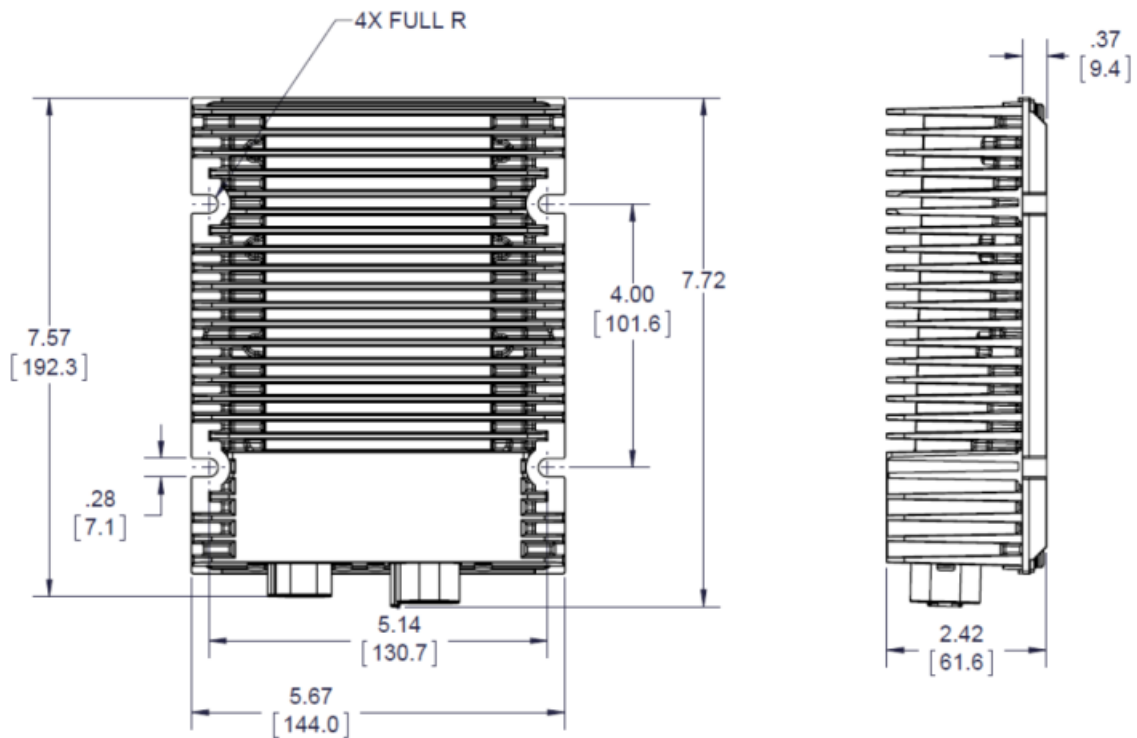
Part Number	Description
DT06-6	Connector, type: Deutsch, 6 pin
DT06-4	Connector, type: Deutsch, 4 pin

## Data Sheet

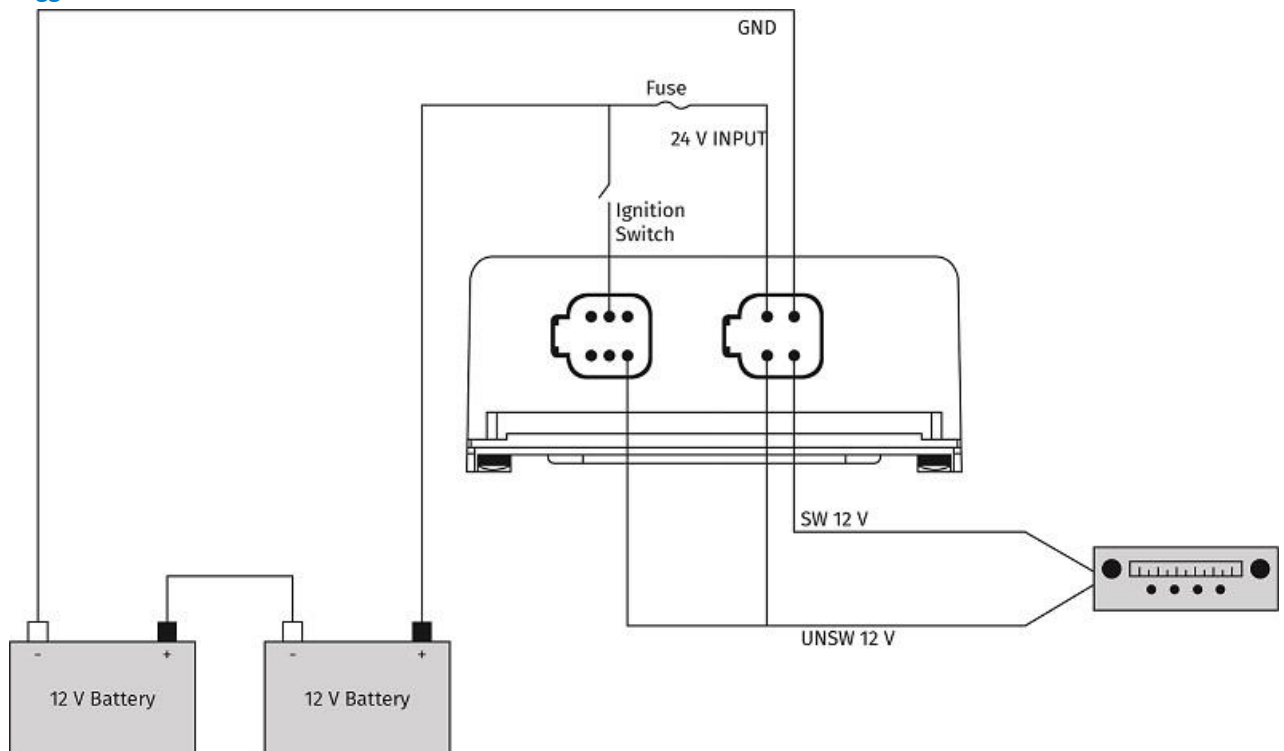
V1.0 – PN: 0402021033

Dimensions: inch [mm]

**LEAB**  
mobile energy



## Suggested Installation



## Contact Information

**LEAB Automotive GmbH**

Thorshammer 6  
24866 Busdorf  
Germany

☎: +49 (0)4621-97860-110

Fax: +49 (0)4621-97860-260

Web: [www.leab.eu](http://www.leab.eu) / [inquiry@leab.eu](mailto:inquiry@leab.eu)