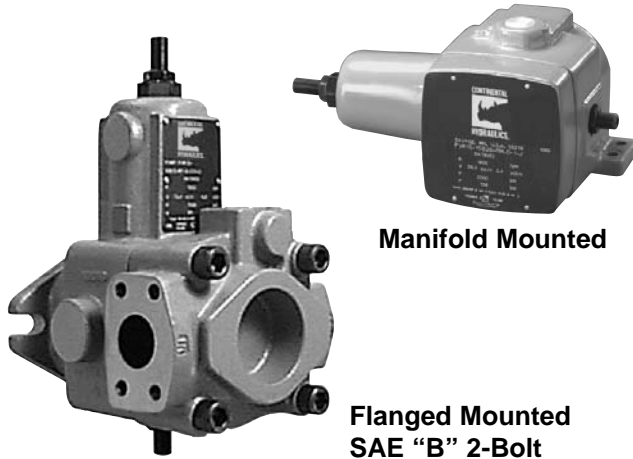


PVR-15 SERIES VANE PUMPS

VARIABLE DISPLACEMENT, PRESSURE COMPENSATED

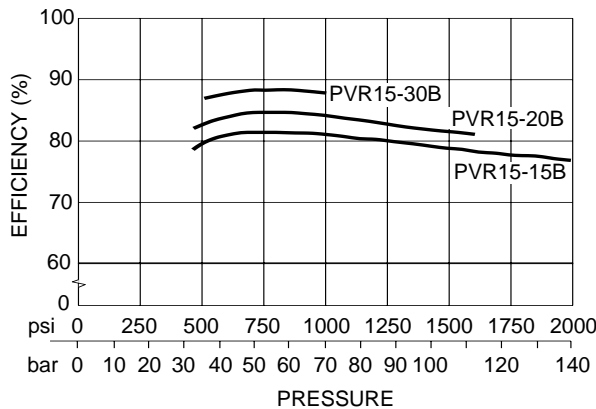


Manifold Mounted

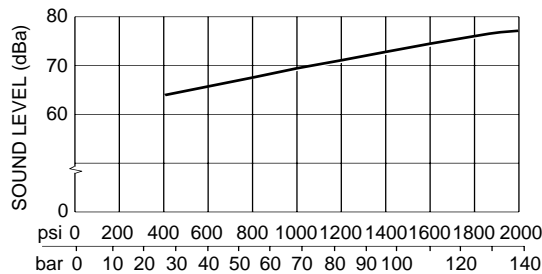
Flanged Mounted
SAE "B" 2-Bolt

OVERALL EFFICIENCY

1750 rpm at Full Displacement



TYPICAL SOUND LEVEL @ 1750 rpm



PRESSURE and VOLUME ADJUSTMENT SENSITIVITY

		PUMP SIZE	15B	20B	30B
PRESSURE ADJUSTMENT	Press Change/Turn	psi (bar)	230 (16.0)	310 (21.0)	230 (16.0)
	Max. Torque	ft./lbs. (kg/m)	15.0 (2.0)	15.0 (2.0)	9.0 (1.2)
VOLUME ADJUSTMENT	Flow Change/Turn	gpm (lpm)	10.0 (38.0)	10.0 (38.0)	13.0 (49.0)
	Min. Flow Adjust.	gpm (lpm)	2.0 (7.5)	2.0 (7.5)	3.5 (13.0)
	Max. Torque	ft./lbs. (kg/m)	21.0 (3.0)	29.0 (4.0)	21.0 (3.0)

CAUTION: Turning the Maximum Volume Control in too far can force the cam ring over-center, causing damage.

TYPICAL PERFORMANCE SPECIFICATIONS

		PUMP SIZE			
		15B	20B	30B	
VOLUMETRIC DISPLACEMENT*	cu. in./rev.	2.4	2.8	4.3	
	ml/rev.	39.3	46	70.5	
PUMP DELIVERY AT 1750 RPM*	91.5 psi	gpm	18.7	21.6	32.0
	6.3 bar	lpm	70.8	81.8	121.0
	rated	gpm	15	19	30
	pressure	lpm	56.8	72	114
COMPENSATED PRESSURE RANGES	Max.	psi	2000	1500	1000
		bar	160	103	69
	Rated	psi	2000	1500	1000
		bar	138	103	69
	Min.	psi	400	400	500
		bar	28	28	35
OPERATING SPEEDS**	Min. rpm	1400			
	Rated rpm	1750			
	Max. rpm	2400	2400	1800	
POWER INPUT AT RATED FLOW & PRESSURE (1750 rpm)	hp	20	19	20	
	kW	15	14	15	
MAXIMUM POWER INPUT TO DRIVE SHAFT	hp	40			
	kW	30			
SUCTION PRESSURE	Max.	psi	20	10	
		bar	1.40	0.7	
	Min.	in./Hg	7	7	5
	Specific Gravity < 1	bar	-0.25	-0.25	-0.17
	Min.	in./Hg	5	5	4
	Specific Gravity > 1	bar	-0.17	-0.17	-0.13
FLUID VELOCITY	Max.	ft./sec.	5		
		m/sec.	1.5		
CASE CRAIN NOMINAL FLOW AT DEADHEAD PRESSURE	1000 psi	gpm	0.5	0.5	0.7
	69 bar	lpm	1.9	1.9	2.7
	1500 psi	gpm	0.8		
	103 bar	lpm	3.0		
	2000 psi	gpm	1.2	1.2	≈
MAXIMUM CASE PRESSURE	psi	10			
	bar	0.7			
WEIGHT	lbs.	61			
	kg	27.6			

NOTES:

* Volumetric displacement is measured displacement at 91.5 psi (6.3 bar) and rated rpm. Volumetric displacement varies with both pressure and rpm. Flow rates at any rpm other than the rated rpm may be approximated as follows:

$$Q_2 = Q_1 (N-142)/1667 \text{ where } Q_1 = \text{Flow (gpm) at rated rpm at 91.5 psi (6.3 bar).}$$

$$Q_2 = \text{Flow (gpm) at N rpm.}$$

$$N = \text{rpm at which } Q_2 \text{ is to be determined.}$$

** When operating above 1500 psi (103 bar), it is recommended that a direct-acting differential relief valve be used at the pump to relieve pressure spikes and surges.

PVR15-20B - Maximum rpm at full displacement - 2250 rpm. For higher rpms up to 2400 rpm, pump displacement must be reduced to limit flow to 25 gpm (95 lpm) maximum.

PVR-15 SERIES VANE PUMPS

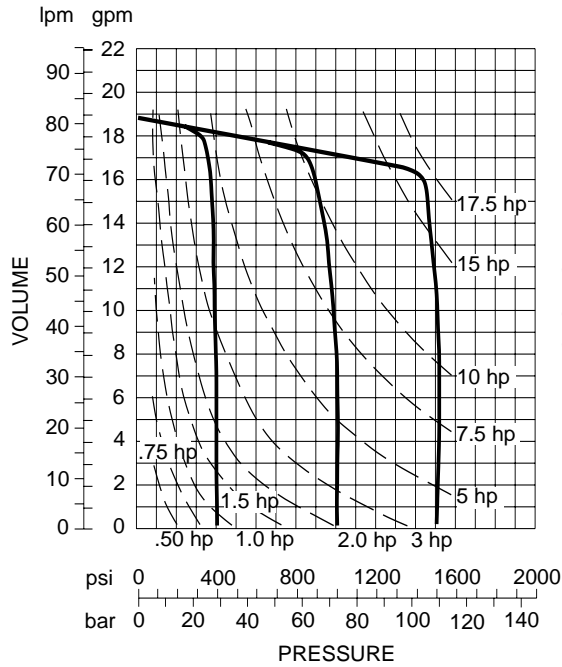


VARIABLE DISPLACEMENT, PRESSURE COMPENSATED

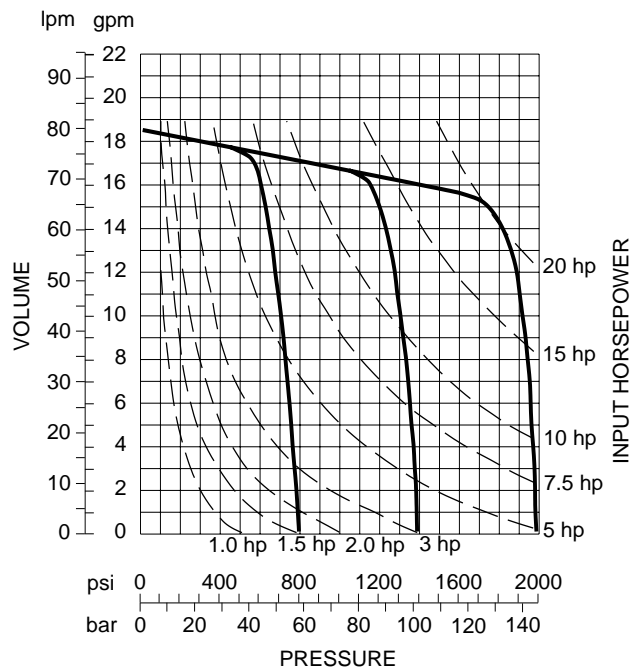
NOTE: Typical performance curves are based on ISO VG46 oil at 120° F. (49° C.). Above 400 SUS (84 CS), add 2% hp/100 SUS.

NOTE: Deadhead horsepower is read from curves at 0 gpm flow and pressure compensator setting psi.

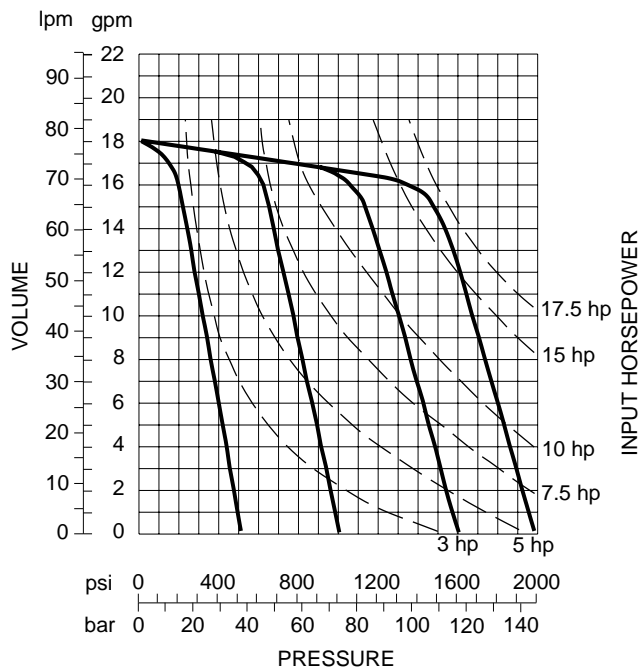
15B15 (at 1750 rpm)



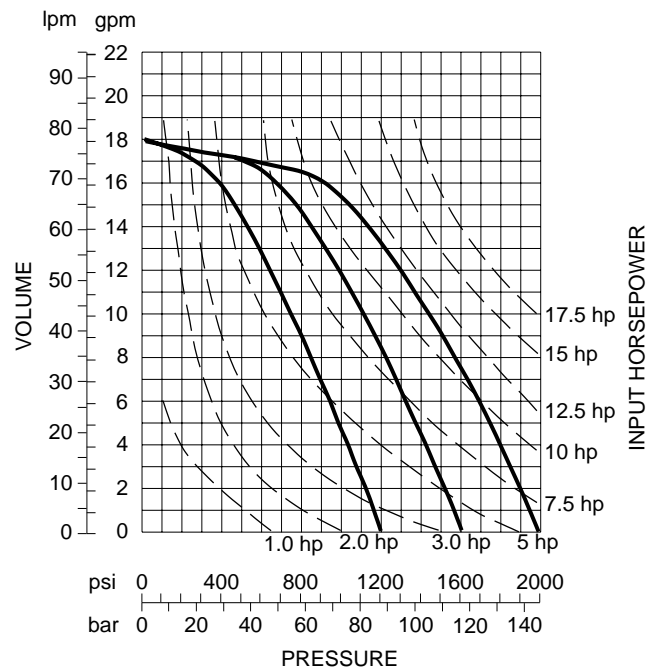
15B20 (at 1750 rpm)



15B3L (at 1750 rpm)



15B5L (at 1750 rpm)



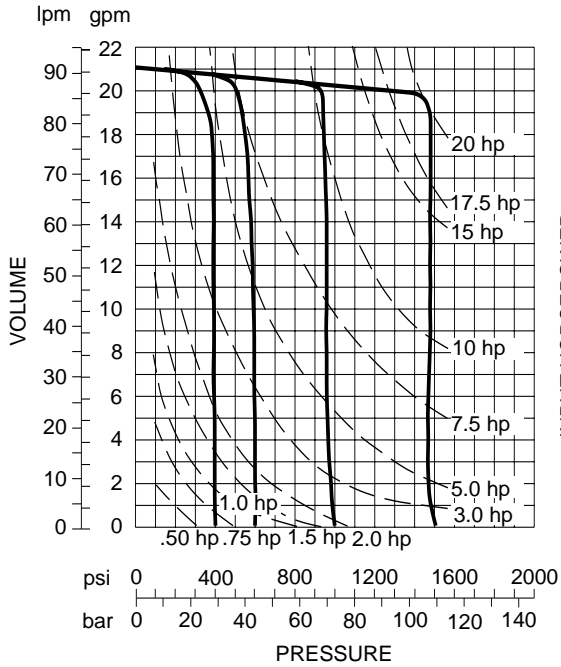
PVR-15 SERIES VANE PUMPS

VARIABLE DISPLACEMENT, PRESSURE COMPENSATED

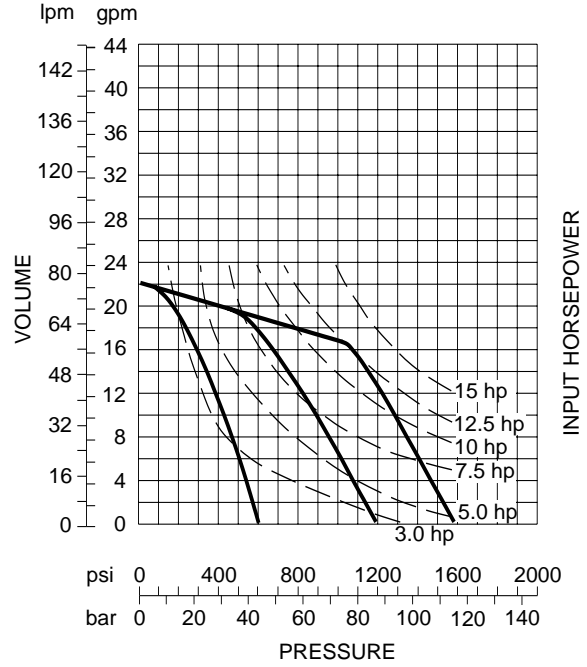
NOTE: Typical performance curves are based on ISO VG46 oil at 120° F. (49° C.). Above 400 SUS (84 CS), add 2% hp/100 SUS.

NOTE: Deadhead horsepower is read from curves at 0 gpm flow and pressure compensator setting psi.

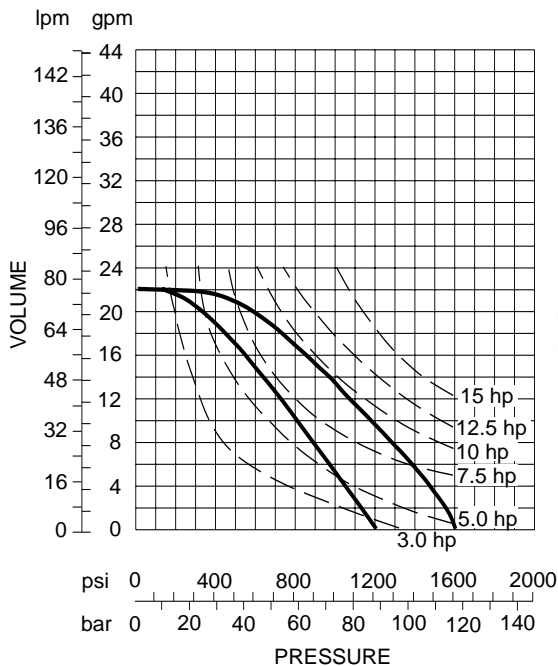
20B15 (at 1750 rpm)



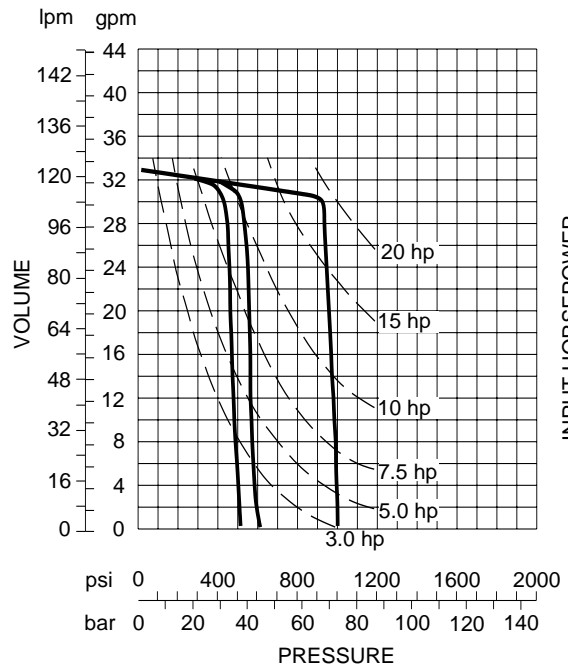
20B3L (at 1750 rpm)



20B4L (at 1750 rpm)



30B10 (at 1750 rpm)



PVR-15 SERIES VANE PUMPS

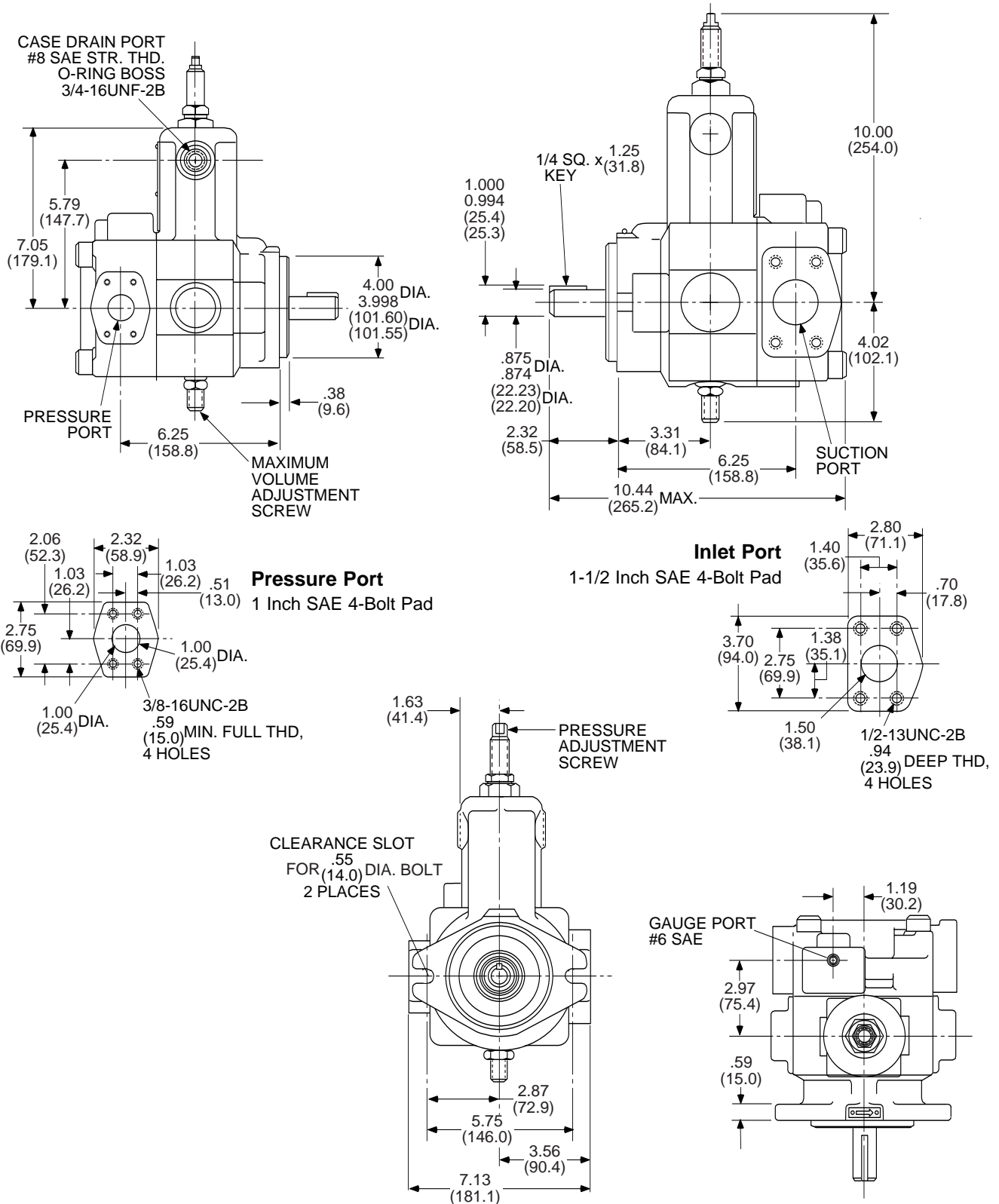


VARIABLE DISPLACEMENT, PRESSURE COMPENSATED

PUMP DIMENSIONS

Flange Mounted - Code RF

Dimensions shown in: Inches
(millimeters)



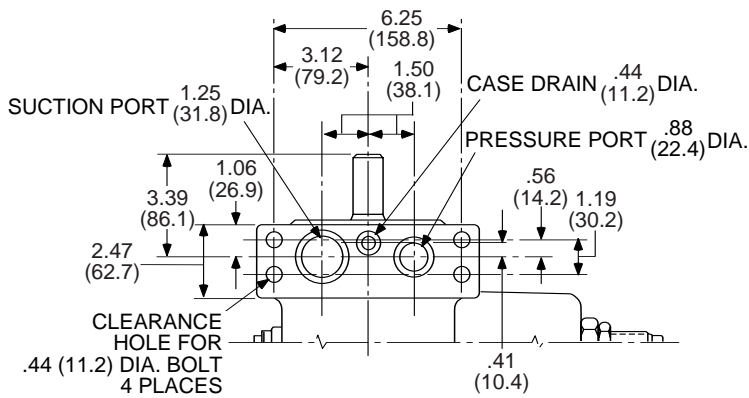
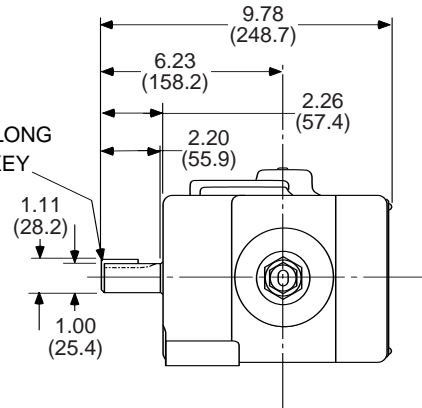
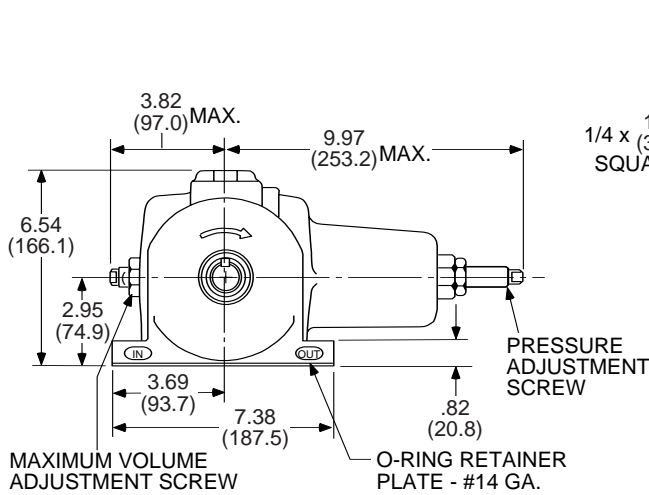
PVR-15 SERIES VANE PUMPS

VARIABLE DISPLACEMENT, PRESSURE COMPENSATED

PUMP DIMENSIONS

Manifold Mounted - Code RM

Dimensions shown in: Inches
(millimeters)



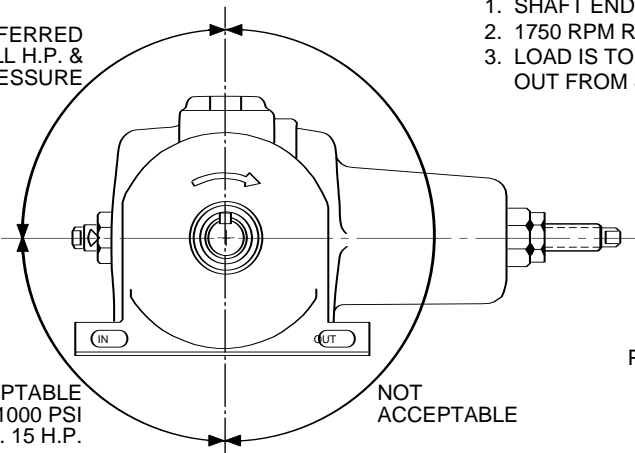
SIDE LOAD DRIVES

i.e. Belt, Chain, Gear for Flange or Manifold Mounted

NOTES:

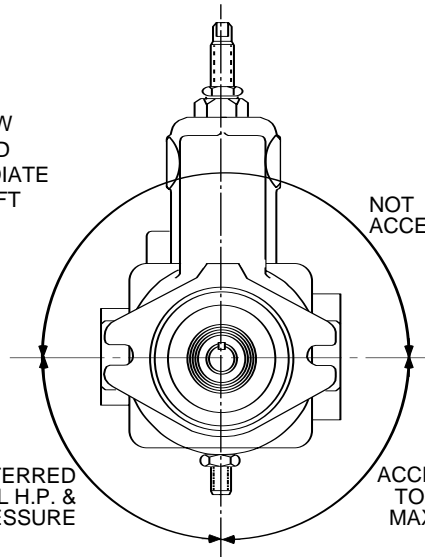
1. SHAFT END VIEW
2. 1750 RPM RATED
3. LOAD IS TO RADIATE OUT FROM SHAFT

PREFERRED
FULL H.P. &
PRESSURE



NOT
ACCEPTABLE

PREFERRED
FULL H.P. &
PRESSURE



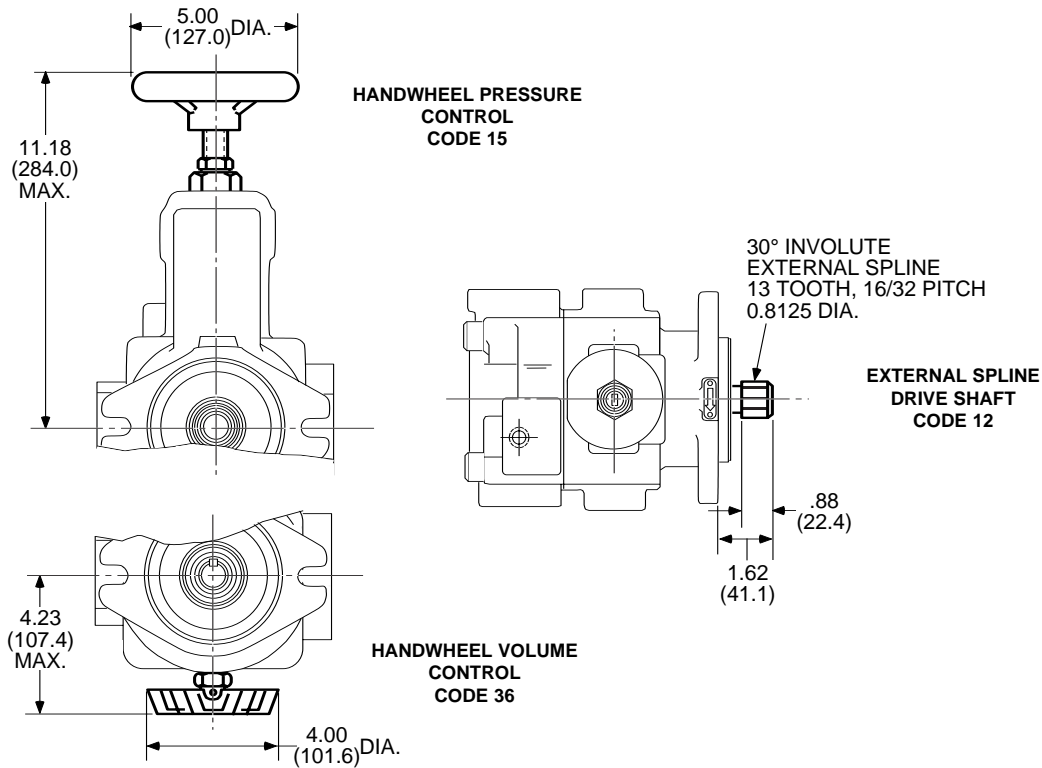
PVR-15 SERIES VANE PUMPS

VARIABLE DISPLACEMENT, PRESSURE COMPENSATED

MECHANICAL OPTIONS

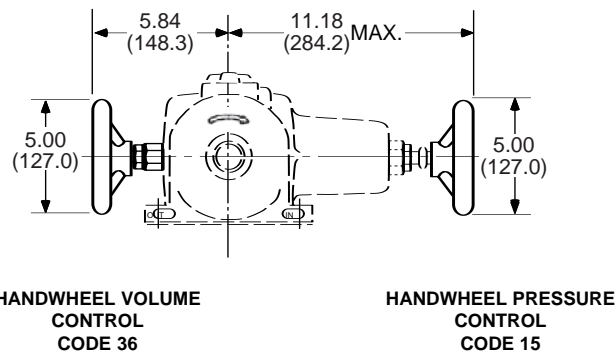
Flange Mounted Pump - Code RF

Dimensions shown in: Inches
(millimeters)



MECHANICAL OPTIONS

Manifold Mounted Pump - Code RM



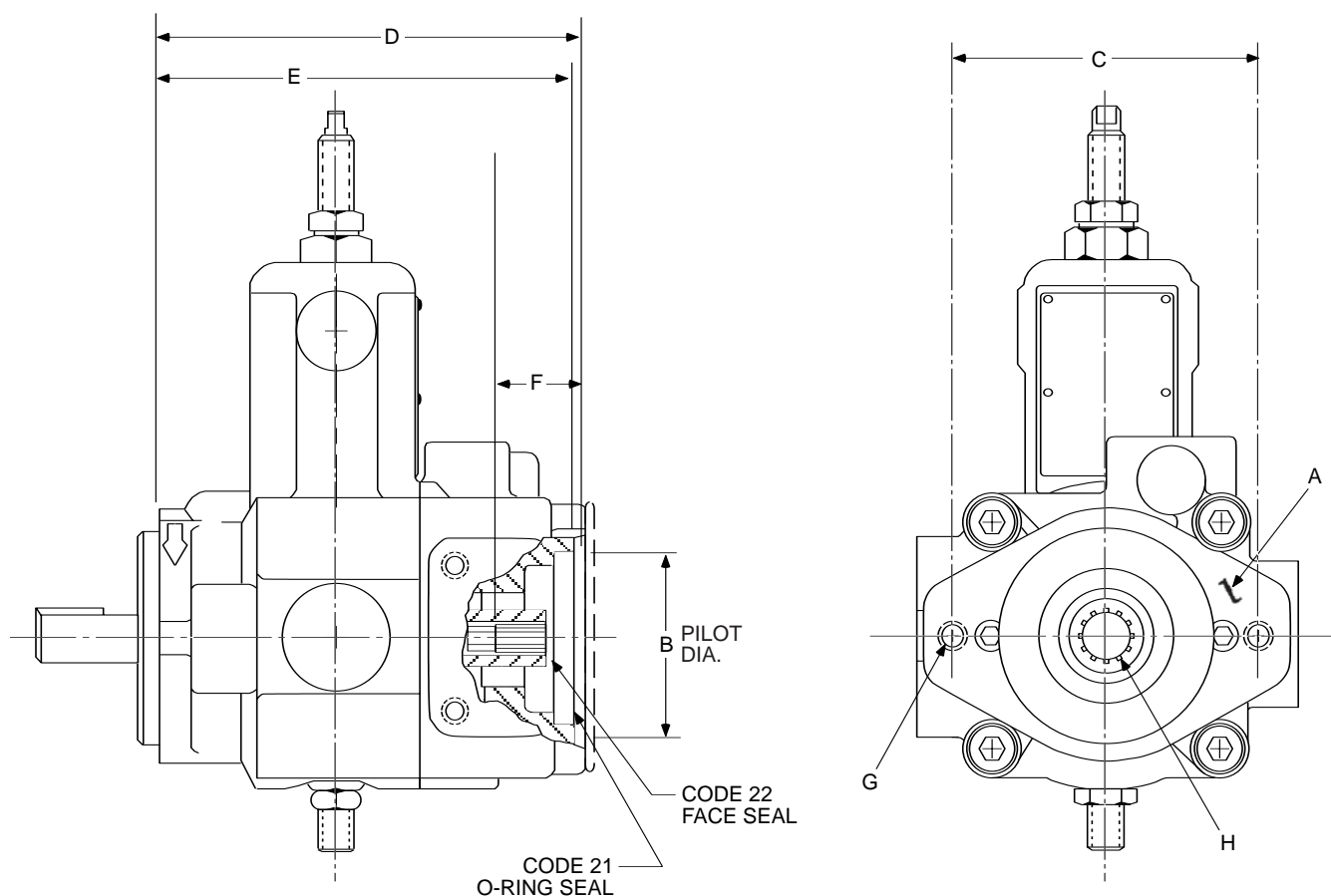
PVR-15 SERIES VANE PUMPS

VARIABLE DISPLACEMENT, PRESSURE COMPENSATED

CODES 21 and 22 - TANDEM OPTIONS

Flange Mounted Pump - Code RF Only

Dual Pump Operation Without Additional Mounting
Flanges and couplings.



CODE	SAE 2-BOLT MOUNTING PAD	DIMENSIONS					Inches (millimeters)	30° INVOLUTE INTERNAL SPLINE 16/32 PITCH	MAXIMUM H.P. RATING OF INTERNAL SPLINE*
		A	B	C	D	E	F		
21	"A" Flange	3.25 (82.6)	4.18 (106.2)	8.12 (206.2)	7.80 (198.1)	1.27 (32.3)	3/8-16 UNC x .56 (14.3)	9 Tooth 0.5625 Dia.	8.5
22	"B" Flange	4.00 (101.8)	5.75 (146.1)	9.06 (230.1)	9.06 (230.1)	1.79 (45.5)	1/2-13 UNC x 1.00 (25.4)	13 Tooth 0.8125 Dia.	30
31	"A" Flange	3.25 (82.6)	4.18 (106.2)	8.90 (226.1)	8.90 (226.1)	1.63 (41.4)	3/8-16 UNC x .56 (14.3)	13 Tooth 0.8125 Dia.	30

*Rating at 1750 rpm

PVR-15 SERIES VANE PUMPS

VARIABLE DISPLACEMENT, PRESSURE COMPENSATED

ORDERING INFORMATION

Flange Mounted - Code RF

PVR15 - - RF - - 5 -

SIZE

CODE	FLOW @ 1750 rpm
15B	15 gpm
20B	20 gpm
30B	30 gpm

PRESSURE

CODE	PRESSURE RANGE
15	400 - 1500 psi
20	800 - 2000 psi
3L	500 - 2000 psi
5L	1200 - 2000 psi
15	400 - 1500 psi
3L	600 - 1600 psi
4L	1200 - 1600 psi
10	500 - 1000 psi

SEALS

CODE	TYPE
O	BUNA-N
P	VITON

MECHANICAL OPTIONS

CODE	DESCRIPTION
OMIT	KEYED SHAFT (STANDARD)
12	EXTERNAL SPLINE SHAFT
15	HANDWHEEL PRESSURE CONTROL
16	50 HZ OPERATION
21*	"A" FLANGE TANDEM PUMP MOUNTING
22*	"B" FLANGE TANDEM PUMP MOUNTING
31	"A" - "B" FLANGE TANDEM PUMP MOUNTING (HPV-6)
36	HANDWHEEL VOLUME CONTROL

*NOTE: Consult the factory for a Code 12 pump with:

- Code 21 or 22 on a 30B pump
- Code 22 on all pumps

INTEGRAL OPERATOR

CODE	DESCRIPTION
OMIT	NO OPTIONS

*NOTE: For electrical options, see the PVR Control Options Section later in this catalog.

CONTROL OPTIONS

CODE	DESCRIPTION
OMIT	NO OPTIONS
8	DUAL PRESSURE RATE CONTROL VALVE
9	DUAL VOLUME RATE CONTROL VALVE
17	DUAL PRESSURE REMOTE OPERATED
18	DUAL PRESSURE WITH INTEGRAL OPERATOR
24	DUAL VOLUME WITH INTEGRAL OPERATOR
25	DUAL PRESSURE/ DUAL VOLUME WITH INTEGRAL OPERATOR
2400	DUAL VOLUME REMOTE OPERATED
2500	DUAL PRESSURE/ DUAL VOLUME REMOTE OPERATED

*NOTE: For detail information, see the PVR Control Options Section later in this catalog.

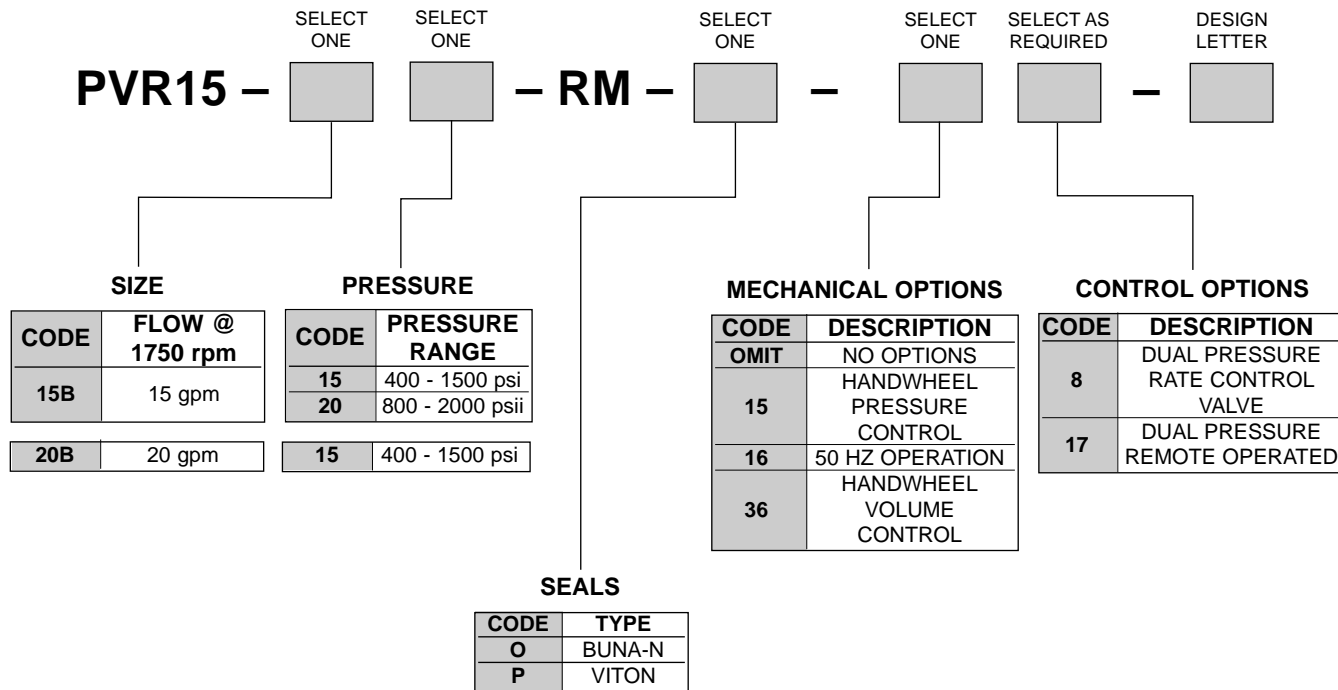
TYPICAL ORDERING CODE:
PVR15-15B15-RF-0-521-F

PVR-15 SERIES VANE PUMPS

VARIABLE DISPLACEMENT, PRESSURE COMPENSATED

ORDERING INFORMATION

Manifold Mounted - Code RM



TYPICAL ORDERING CODE:
PVR15-15B15-RM-0-17-J