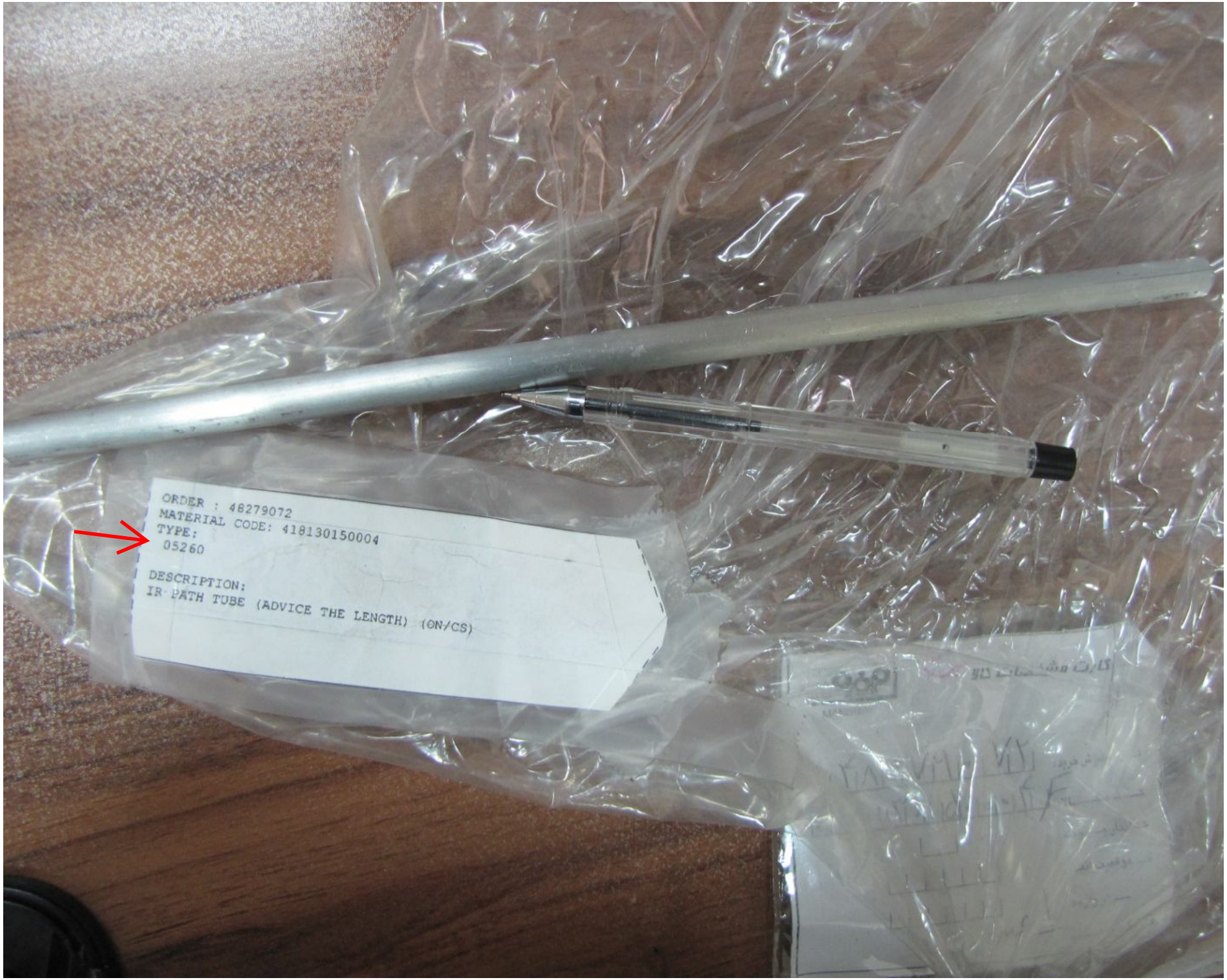


ORDER : 48279072
MATERIAL CODE: 418130150004
TYPE:
05260

DESCRIPTION:
IR PATH TUBE (ADVISE THE LENGTH) (ON/CS)



ORDER : 48279072
MATERIAL CODE: 418130150004
TYPE:
05260

DESCRIPTION:
IR PATH TUBE (ADVISE THE LENGTH) (ON/CS)

قوت خدمات ۱۱۵
۱۱۵

Handwritten text in Arabic script, including a signature and several lines of text, likely a receipt or invoice.

Service Manual

CS-800 Carbon / Sulfur Determinator



Translation

ELTRA
ELEMENTAL ANALYSERS

6 Miscellaneous

6.1 Ordering numbers

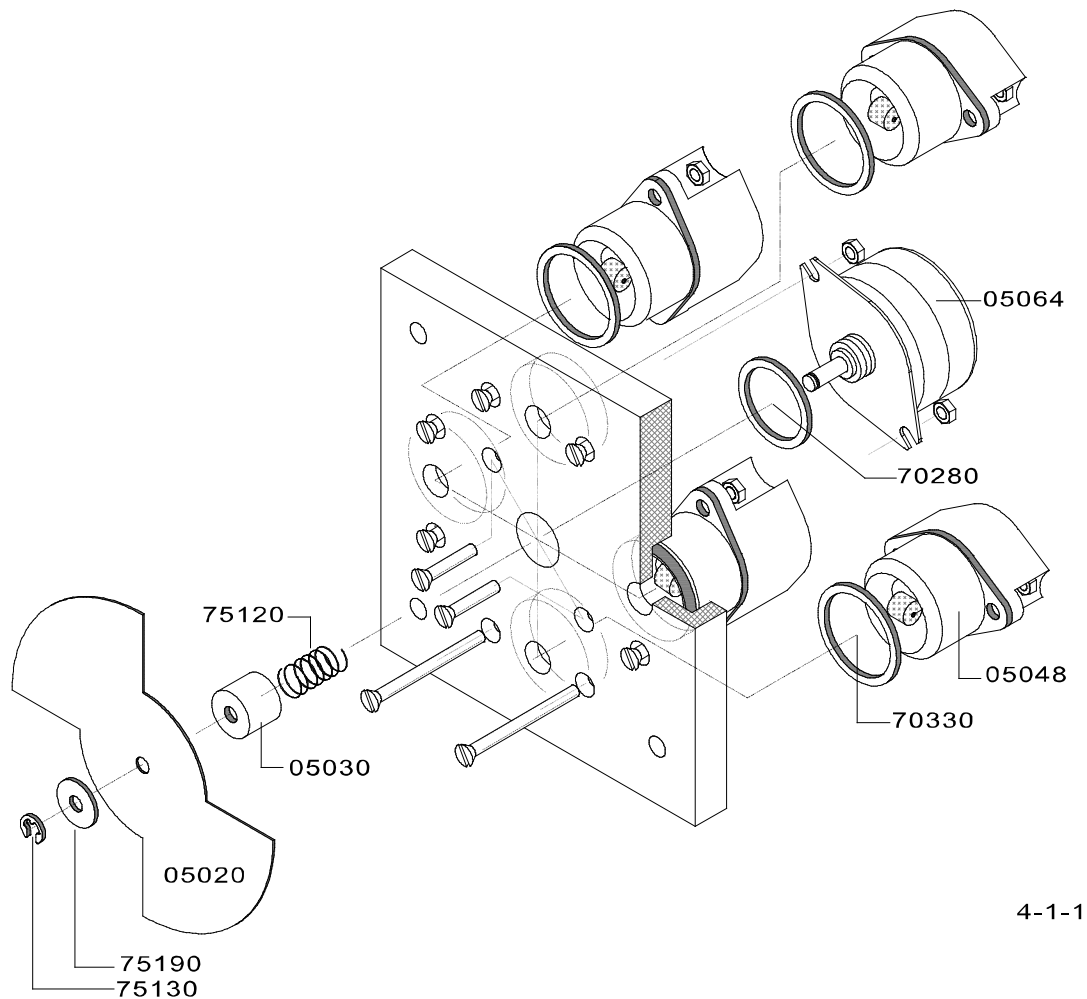
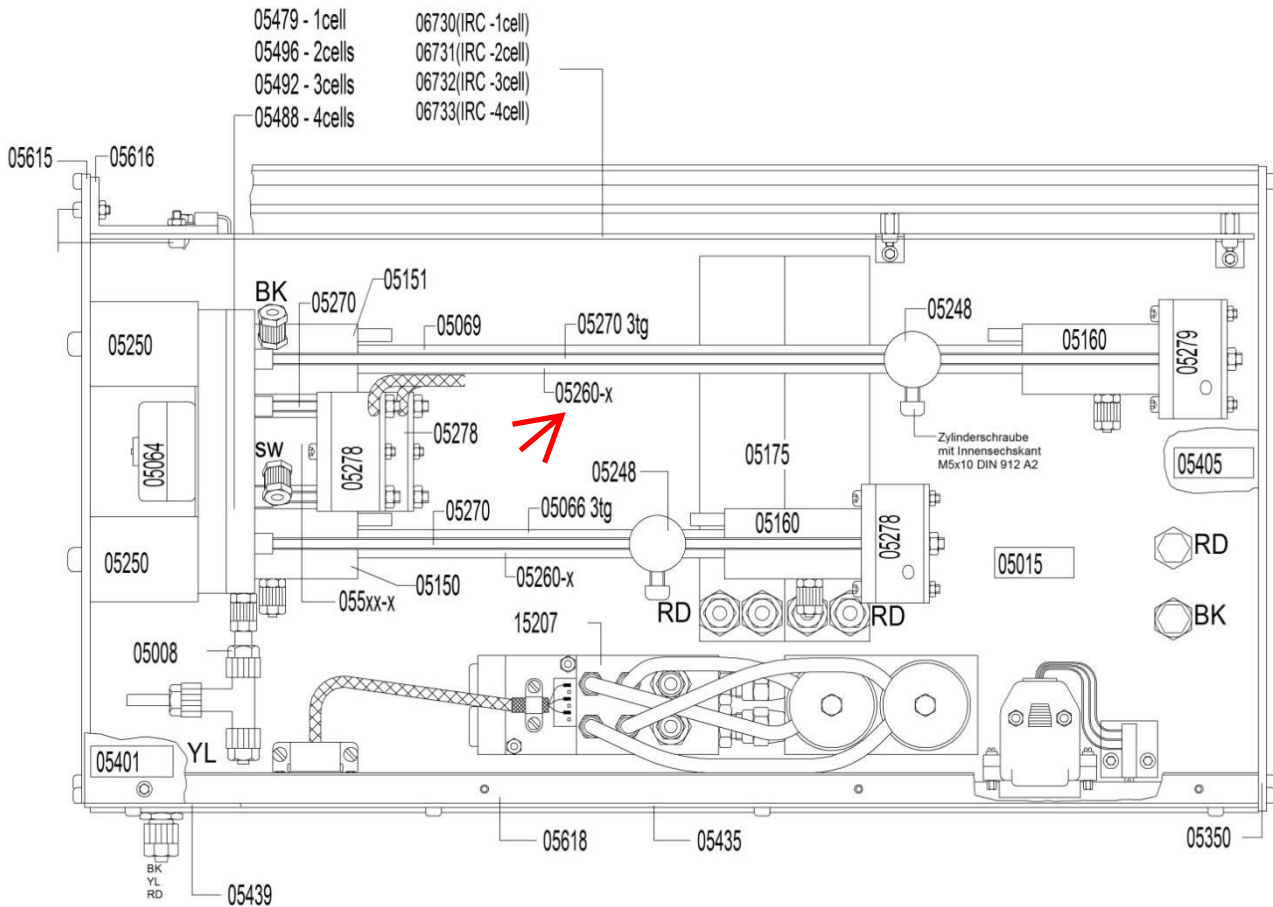


Fig. 39: 4-1-1

05020	Chopper blade
05030	Chopper blade holder
05064	Chopper motor
05048	Infrared source (emitter)
70280	O-ring
70330	O-ring
75120	Spring
75130	Retaining washer
75190	Washer

6.1.1 Infrared cells



05060	Reflector
05067	IR-path for high carbon
05150	IR-path connector with window source side
05160	IR-path connector with window detector side
05170	Gas conditioner
05244	IR 4 chopper
→ 05260	IR-path tube (advice the length)
05270	Threaded rod (advice the length)
05275	Infrared preamplifier
06210	IR-cable
06670	IR-zero adjustment board
06733	Infrared electronics board
15207	Gas flow sensor
70180	O-ring
70330	O-ring
77510	Heaters for IR-cell

6.1.2 Front side

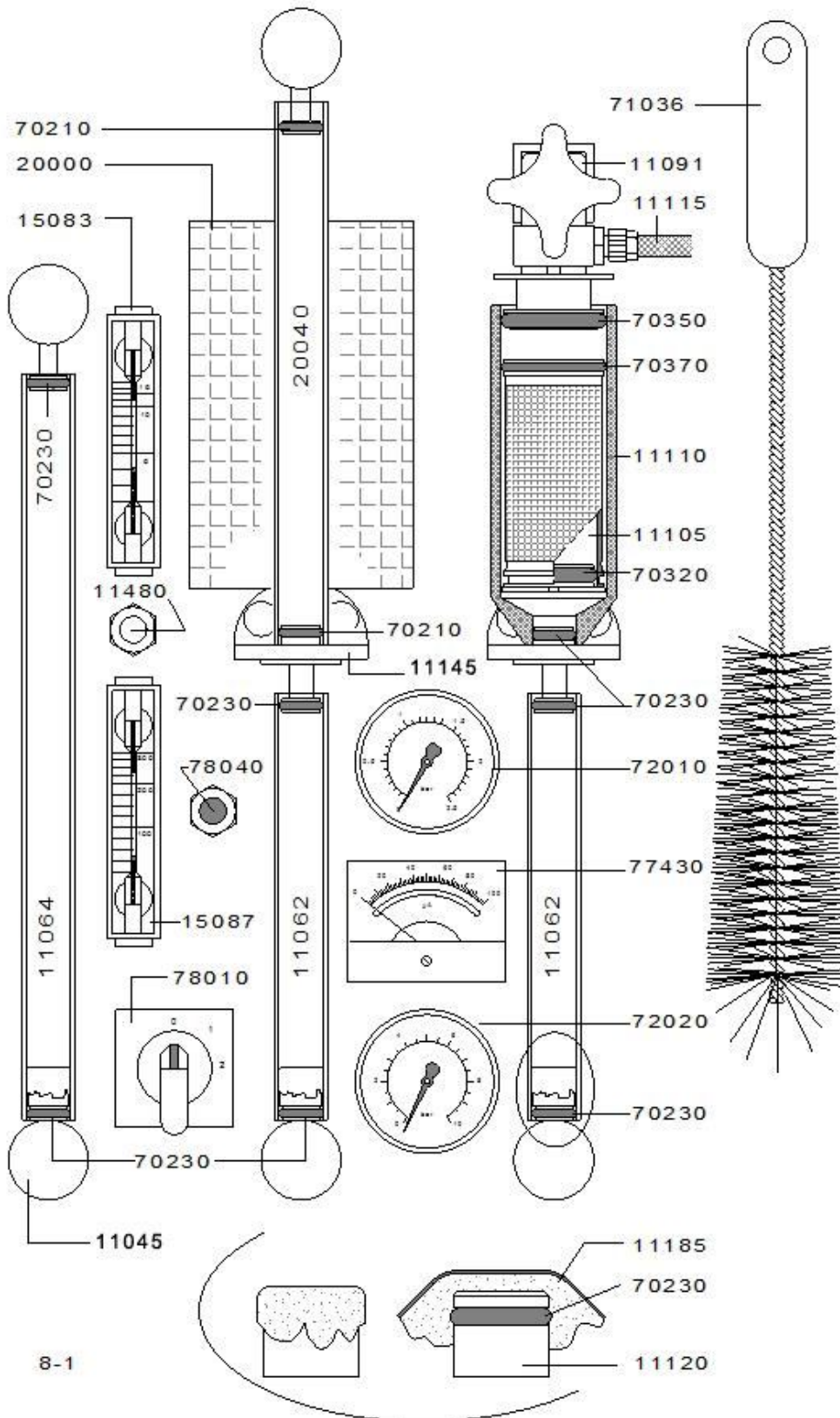
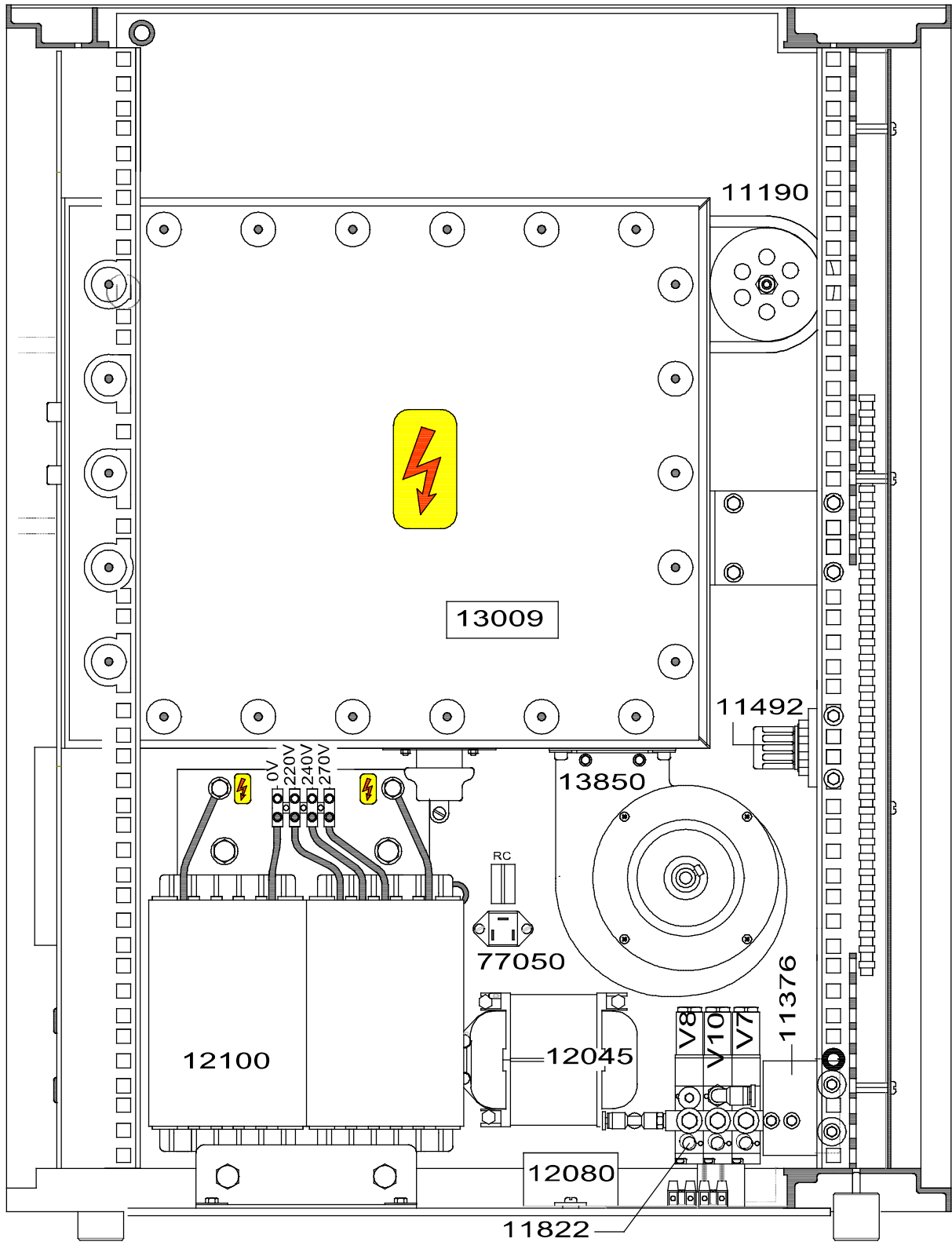


Fig. 40: Front side

05000	IR-cell
11180	Dust cartridge
11390	Oxygen solenoid valve
11400	Pressure outlet solenoid valve
11415	Oxygen stop solenoid valve
11430	Purge solenoid valve
11440	Bypass solenoid valve
11492	Pressure regulator
11492	Inlet pressure regulator
11495	Purge pressure regulator
12016	Gas flow and furnace control board HF 42
12044	Transformer
16100	Power supply board NK 31
18467	Microcontroller board UNI

6.1.3 Right side:



B9-1-5

Fig. 41: Right side

11190	Exhaust muffler
13850	Centrifugal blower
11376	Fixing plate for 11822
77050	TRIAC
11492	Pressure regulator
77135	Capacitor
11822	Pnematic valve block
12045	Transformer
12080	Rectifier
12100	Transformer

6.1.4 Pneumatics

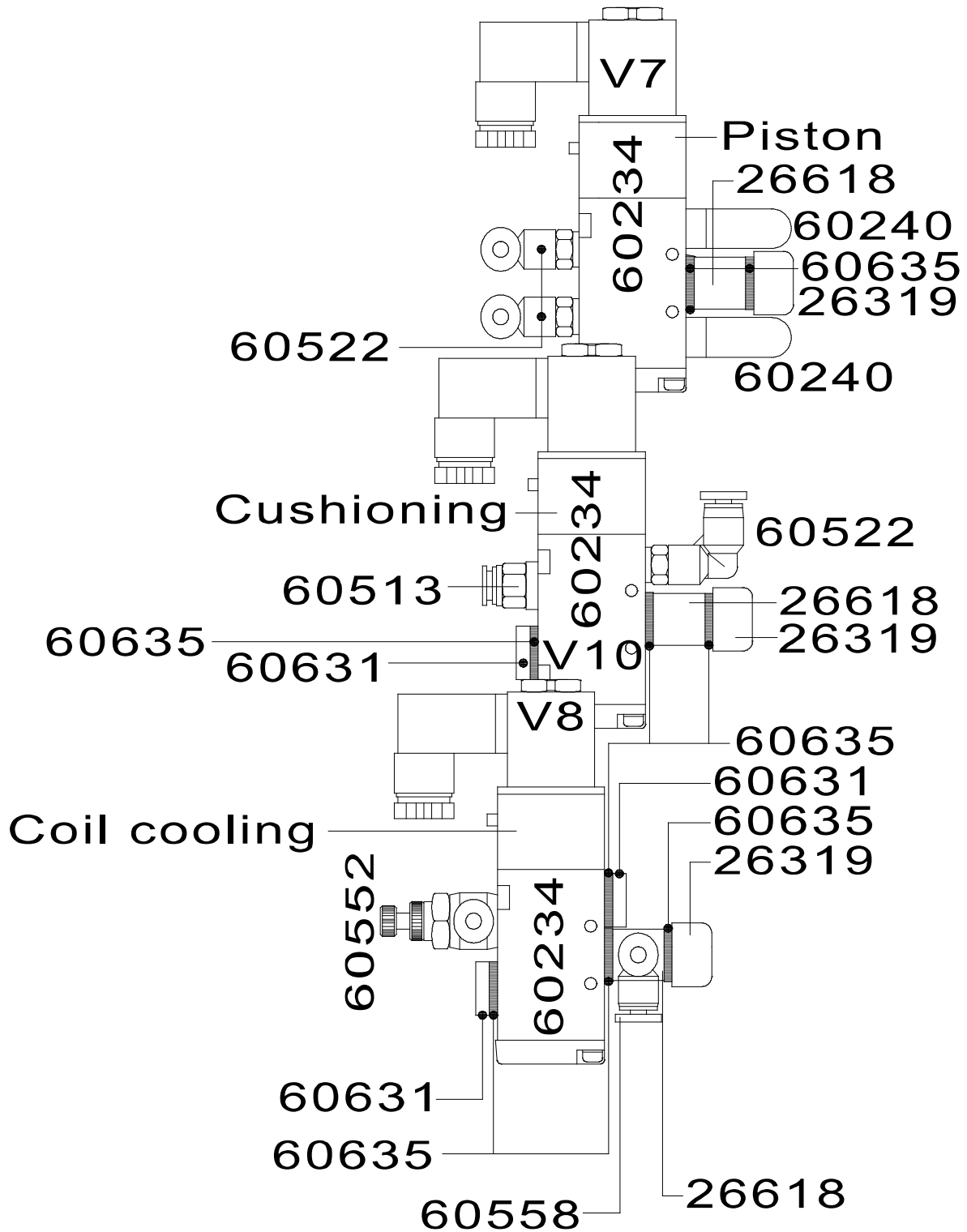


Fig. 42: Pneumatics

26319	Hollow screw
26618	Valve block
60234	Pneumatic valve
60240	Silencer
60513	Fiting
60522	Fiting
60631	Closure
60635	Seal

6.1.5 Oscillating circuit

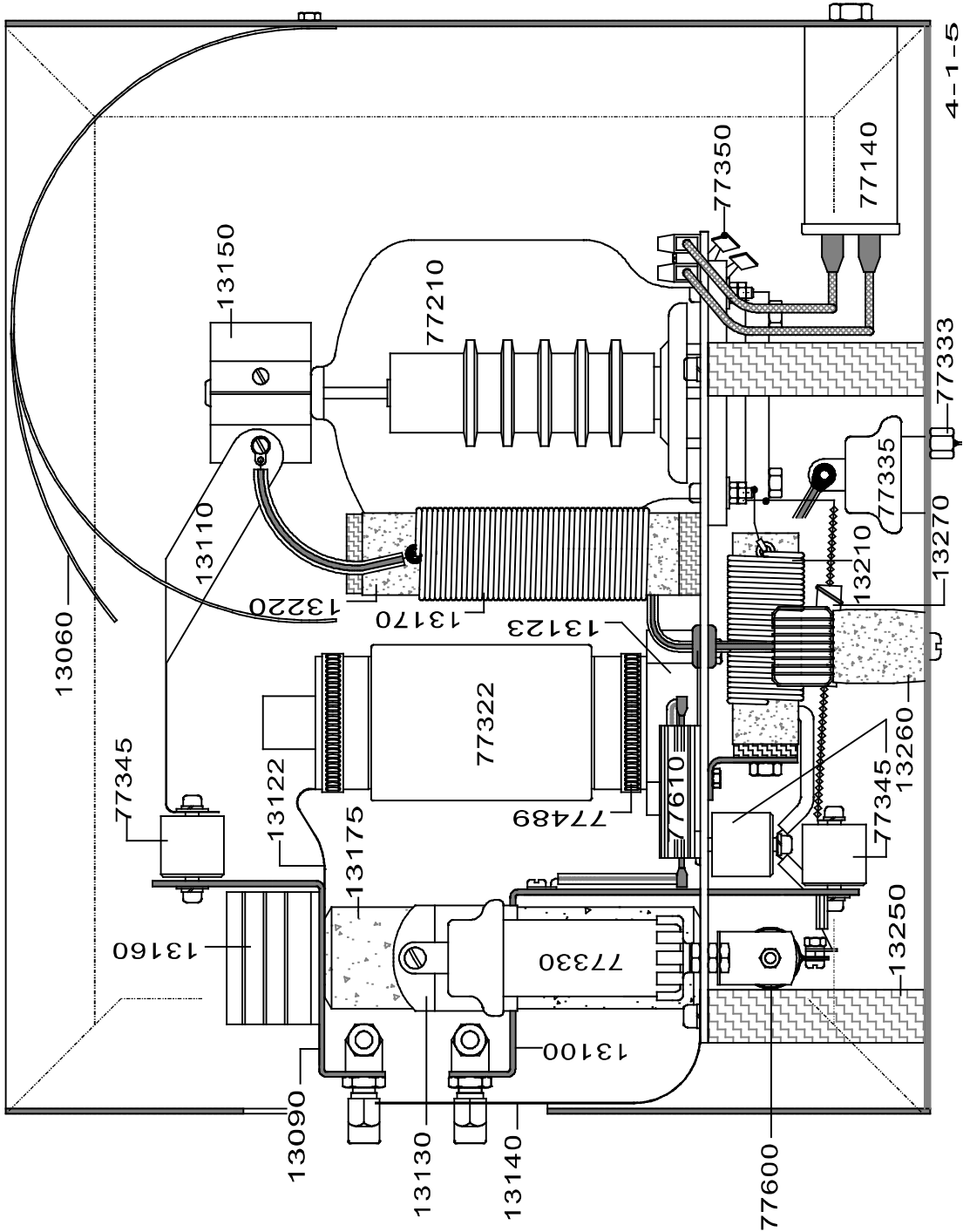


Fig. 43: Oscillating circuit

13060	Protection sheet
13081	Capacitor support
13090	Upper coil connector
13100	Lower coil connector
13110	Anode connector
13122	Capacitor connector
13130	Capacitor connector
13140	Ground connector
13150	Anode heat sink
13160	Coil heat sink
13170	Radiation shield
13175	Insulator
13210	Grid choke
13220	Anode choke
13250	Chassis support
13260	High voltage filter
13270	Resistor
77140	HF-filter
77210	Oscillator tube
77322	Capacitor
77330	Capacitor
77335	Capacitor
77333	Filter
77345	(13261; 13262; 77340; 77341; 77342) Capacitor
77350	Capacitor 100 nF
77489	Bracket
77600	Resistor
77610	Resistor