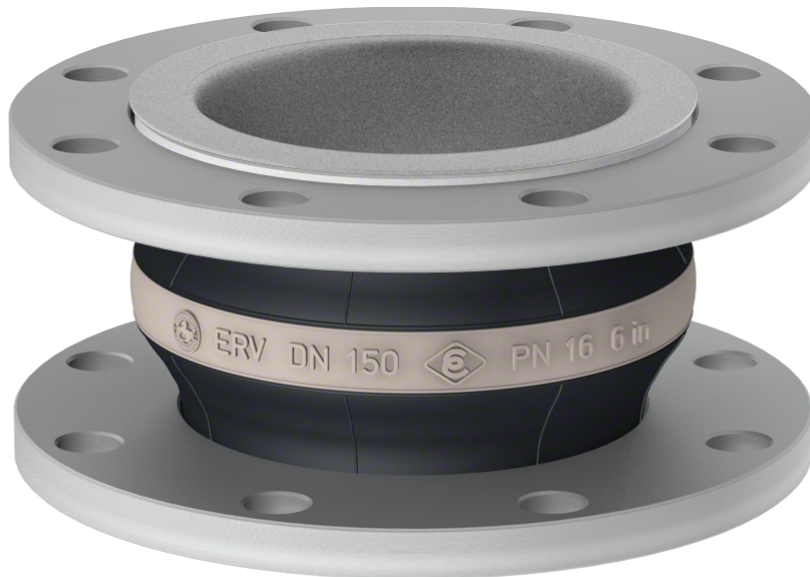


Configurator ERV Rubber Expansion Joints

Part Number: ERV-W 150.ASA 150 AL SR



<https://ervconfigurator.elaflex.de/ERV-W/150MM/L130MM/.ASA 150/AL/.ASA150/AL/STANDARD/SR/STANDARD/Product11.html>

Bellows

ERV-W 'White Band'

WHITE BAND expansion joints for foodstuffs, also containing oil and fat. Liner corresponds to Recommendation XXI of BfR and FDA-21CFR 177.2600.

Not approved for drinking water.

Temperature range (depending on medium) -20° C up to +90° C, temporarily up to +100° C. Electrically non-conductive.

Cover: Chloroprene (CR)

Reinforcement: PA textile cord

Liner: NBR light grey, seamless, abrasion resistant

Marking: White band, ERV DN ..., PN ..., production date

Size DN

DN 150 mm / 6"

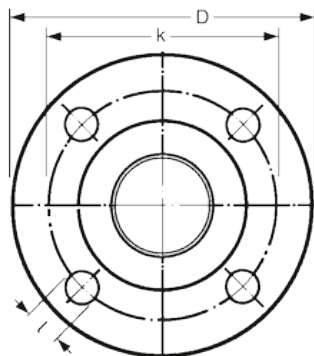
Length

BL 130 mm

Flange 1

ANSI B 16.5 150 lb/sq. in. (ASA 150)

Dimension: D: 279,4 mm, 11", k: 241,3 mm, 9 ½", 8 holes, l: 22,2 mm, 7/8"



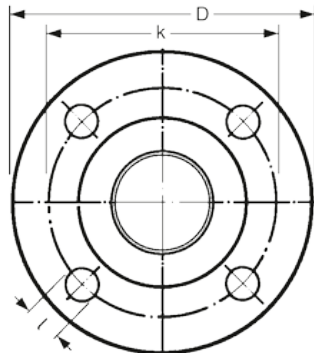
Material 1

Aluminium

Flange 2

ANSI B 16.5 150 lb/sq. in. (ASA 150)

Dimension: D: 279,4 mm, 11", k: 241,3 mm, 9 ½", 8 holes, l: 22,2 mm



Material 2

Aluminium

Limiters

Without limiter

Without limiter (Standard)

Accessories

Type SR

With inner protection sleeve of stainless steel AISI 316 Ti to prevent abrasion of the rubber liner, i. e. for mediacontaining abrasive components or to avoid cavitation.

Please note: The nominal bore is reduced.

Flame Protection

Without flame protection

Without flame protection (Standard)

Contact:

ELAFLEX

Schnackenburgallee 121

22525 Hamburg (Eidelstedt)

Telefon: +49 40 540 00 50

Telefax: +49 40 540 00 567

E-Mail: info@elaflex.de

Internet: <http://www.elaflex.de/en/>