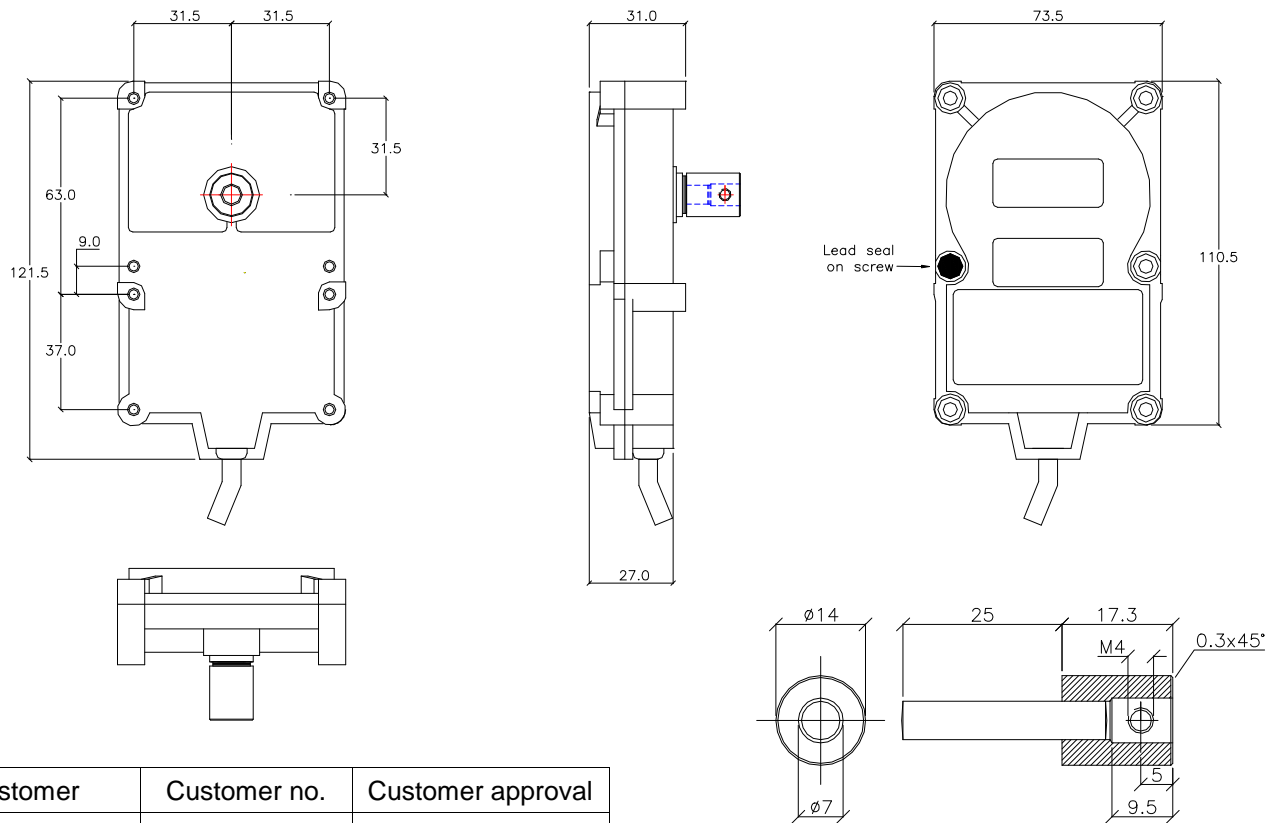


Encoder type: **01 - 08 - U, 2 x 25, 12VDC, Totempole** Rev. **02** of **02**

 Bracket
Assembly
Parts

 Coupling
Assembly
Parts **62.0062**

 Totalizer No. Gearbox Type No. Flexcable No.


Customer	Customer no.	Customer approval
CIDAN (DK)	98.1927	

 W & M Approval **PTB no. 5.552-92.13** EMC Approval **CE - EN50081-1 & EN50082-2**

 Safety Approval **DEMKO 01 ATEX 130644X & PTB Ex- 86.B.1023** Approval type **Ex II 2G EEx d IIb T6**

 Working temp. **- 30°C ≤ T_{amb} ≤ +70°C** Approved Temp. **- 30°C ≤ T_{amb} ≤ +70°C**

Pulse form	Squarewave - 50% duty cycle ±10%	Power supply	12 VDC
Phase shift	Ch1 - Ch2 - 25% ± 5%	Current / no load	max 40mA - typical 32mA
EI. Cable no.	09.4900	Output stage	Totempole
EI. Cable type	3 meters with 4 core + shield	output load max.	30 mA per channel
Shield	shield connected to housing	Output signal	2 x 25 Pulse/rev - CCW adjusted
Sealing	1 Cover screw sealed with lead	Labels	59.2438 59.2010
+VDC	Green	0VDC	Brown
Ch 1	White	Ch 2	Yellow
Ch 3	<input type="text"/>	Function Select	<input type="text"/>

Rev. 02	17.06.03	Safety certificate section upgraded for ATEX
Rev. 03		
Rev. 04		