

## STAINLESS STEEL GENERAL PURPOSE



### Operating Parameters

<b>Media</b>	Water, Steam, Hot Oil, Air
<b>Pressure</b>	750 PSI (Water), 120 PSI (Steam) 100 PSI (Hot Oil), 300 PSI (Air)
<b>Temperature</b>	300° F (Water), 350° F (Steam) 395° F (Hot Oil)
<b>Speed</b>	1,000 RPM (NPT), 3600 RPM (MT)
<b>Threads</b>	<ul style="list-style-type: none"> <li>• 1/4" to 2" NPT</li> <li>• BSP, BSPP</li> <li>• &amp; Metric Threads Available</li> </ul>
<b>Material</b>	300 Grade Stainless Steel
<b>Configuration Options</b>	Mono Flow and Dual Flow Configurations Available

### Features & Benefits

#### Corrosion Resistant

300 Grade stainless steel construction for superior corrosion resistance.

#### Long Service Life

Two precision bearings keep the 5000 Series seal faces perfectly aligned to extend the life of the 5000 Series Rotary Union.

#### Dual Flow Option

With the addition of an elbow, the 5000 Series can become dual flow.

#### Balanced Mechanical Seal Design

The balanced mechanical seal design of the 5000 series allows for optimal operation with a wide variety of media.

#### Replaceable Cartridge

Integrated cartridge design makes repairs fast and easy, reducing maintenance costs.

#### Multiple Seal Design Options

All sizes are available with three seal options for better wear resistance.

- **5000 Series Standard**

Carbon graphite seal ring against a ceramic coated steel seal design offers long life.

- **5000 T Series (consult factory)**

Carbon graphite seal ring against a tungsten carbide face ring design will offer longer wear life where dirty media is used.

- **5000 ASM Series (consult factory)**

The tungsten carbide face ring against a siliconized graphite seal ring design is used for abrasive applications.

# Type 5800 (mono flow)

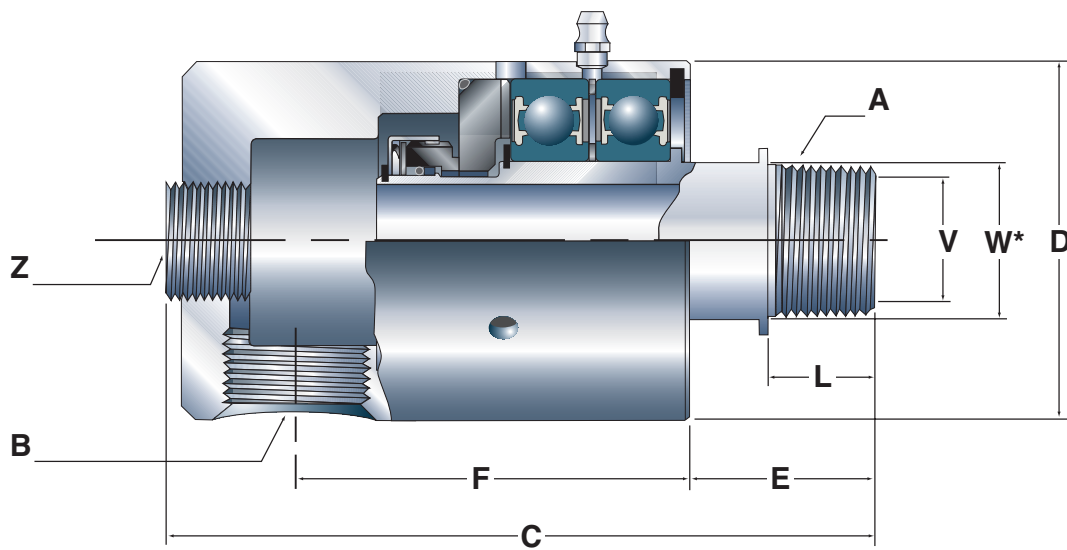
Ref 5800 : carbon graphite seal ring against a ceramic coated steel seal

Ref 5800T : carbon graphite seal ring against a tungsten carbide face ring

Ref 5800A : tungsten carbide face ring against a siliconized graphite seal ring

on request:

Thread A: NPT - BSPP - METRIQUE - UNF / Thread B: NPT



A BSP	Thread	Reference 5800	Reference 5800T	Reference 5800A	B BSPP (Right Hand)	C	D	E	F	L	V	W	Z NPT
1/4"	BSP (Right Hand)	5813I-GD-FJD	5813IT-GD-FJD	5813IA-GD-FJD	1/4"	102	40	32	58	16	35	16	3/8"
1/4"	BSP (Left Hand)	5813I-GG-FJD	5813IT-GG-FJD	5813IA-GG-FJD	1/4"	102	40	32	58	16	35	16	3/8"
3/8"	BSP (Right Hand)	5817I-GD-FJD	5817IT-GD-FJD	5817IA-GD-FJD	3/8"	102	40	32	58	16	9,5	16	3/8"
3/8"	BSP (Left Hand)	5817I-GG-FJD	5817IT-GG-FJD	5817IA-GG-FJD	3/8"	102	40	32	58	16	9,5	16	3/8"
1/2"	BSP (Right Hand)	5821I-GD-FJD	5821IT-GD-FJD	5821IA-GD-FJD	1/2"	121	52	32	69	19	12,7	23	3/8"
1/2"	BSP (Left Hand)	5821I-GG-FJD	5821IT-GG-FJD	5821IA-GG-FJD	1/2"	121	52	32	69	19	12,7	23	3/8"
1/2"	Flange (I)	5821I-B-FJD	5821IT-B-FJD	5821IA-B-FJD	1/2"	121	52	32	69	19	12,7	-	3/8"
3/4"	BSP (Right Hand)	5827I-GD-FJD	5827IT-GD-FJD	5827IA-GD-FJD	3/4"	133	59	36	76	19	17,5	32	1/2"
3/4"	BSP (Left Hand)	5827I-GG-FJD	5827IT-GG-FJD	5827IA-GG-FJD	3/4"	133	59	36	76	19	17,5	32	1/2"
3/4"	Flange (I)	5827I-B-FJD	5827IT-B-FJD	5827IA-B-FJD	3/4"	133	59	36	76	19	17,5	-	1/2"
1"	BSP (Right Hand)	5834I-GD-FJD	5834IT-GD-FJD	5834IA-GD-FJD	1"	157	79	41	87	24	25,4	35	3/4"
1"	BSP (Left Hand)	5834I-GG-FJD	5834IT-GG-FJD	5834IA-GG-FJD	1"	157	79	41	87	24	25,4	35	3/4"
1"	Flange (I)	5834I-B-FJD	5834IT-B-FJD	5834IA-B-FJD	1"	157	79	41	87	24	25,4	-	3/4"
1 1/4"	BSP (Right Hand)	5842I-GD-FJD	5842IT-GD-FJD	5842IA-GD-FJD	1 1/4"	190	89	54	102	27	31,8	42	1"
1 1/4"	BSP (Left Hand)	5842I-GG-FJD	5842IT-GG-FJD	5842IA-GG-FJD	1 1/4"	190	89	54	102	27	31,8	42	1"
1 1/4"	Flange (I)	5842I-B-FJD	5842IT-B-FJD	5842IA-B-FJD	1 1/4"	190	89	54	102	27	31,8	-	1"
1 1/2"	BSP (Right Hand)	5849I-GD-FJD	5849IT-GD-FJD	5849IA-GD-FJD	1 1/2"	212	102	61	115	27	31,8	50	1 1/4"
1 1/2"	BSP (Left Hand)	5849I-GG-FJD	5849IT-GG-FJD	5849IA-GG-FJD	1 1/2"	212	102	61	115	27	31,8	50	1 1/4"
1 1/2"	Flange (I)	5849I-B-FJD	5849IT-B-FJD	5849IA-B-FJD	1 1/2"	212	102	61	115	27	31,8	-	1 1/4"
2"	BSP (Right Hand)	5860I-GD-FJD	5860IT-GD-FJD	5860IA-GD-FJD	2"	241	111	67	128	29	47,6	64	1 1/4"
2"	BSP (Left Hand)	5860I-GG-FJD	5860IT-GG-FJD	5860IA-GG-FJD	2"	241	111	67	128	29	47,6	64	1 1/4"
2"	Flange (I)	5860I-B-FJD	5860IT-B-FJD	5860IA-B-FJD	2"	241	111	67	128	29	47,6	-	1 1/4"

# Type 5800 (mono flow)

Ref 5800 : carbon graphite seal ring against a ceramic coated steel seal

Ref 5800T : carbon graphite seal ring against a tungsten carbide face ring

Ref 5800A : tungsten carbide face ring against a siliconized graphite seal ring

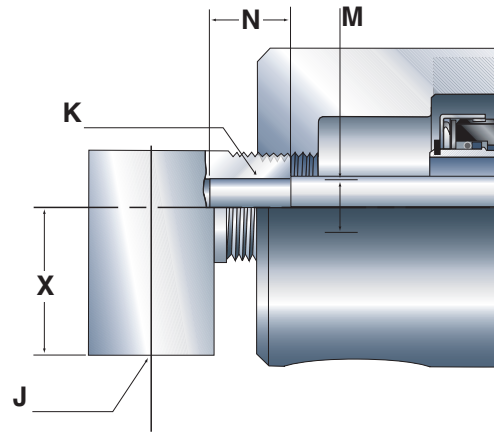
on request:

Thread A: NPT - BSPP - METRIQUE - UNF / Thread B: NPT

Type 5800 : Mono Llow

Type 5900 : Stationary Siphon

Type 5900-RS : Rotating Siphon



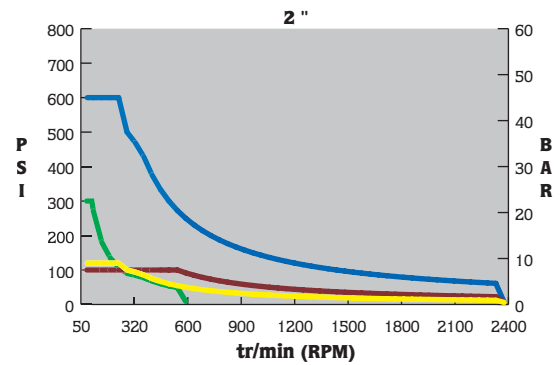
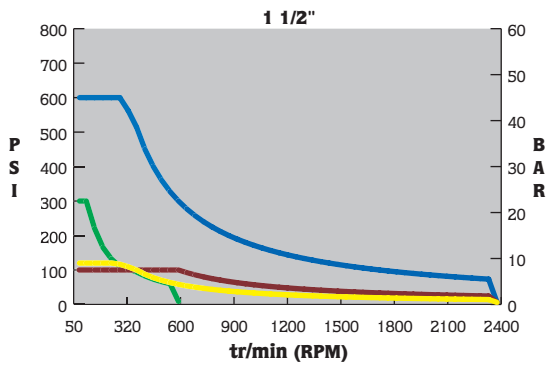
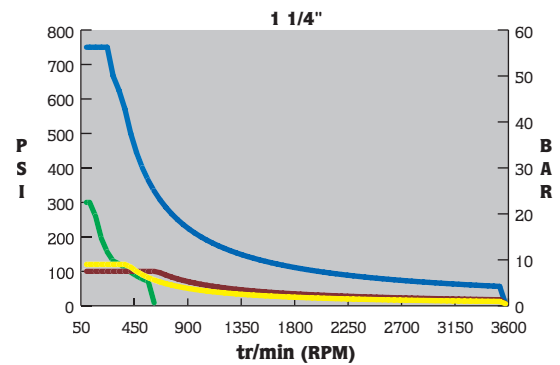
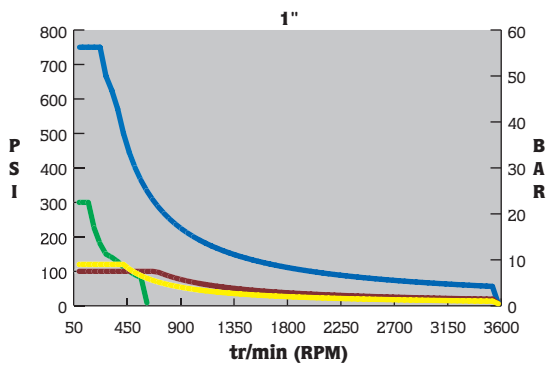
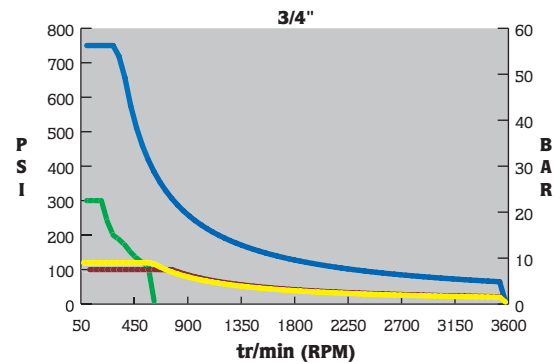
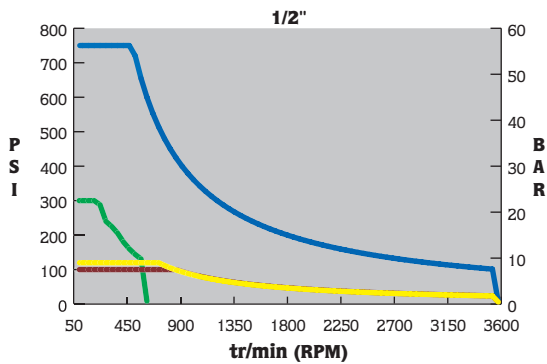
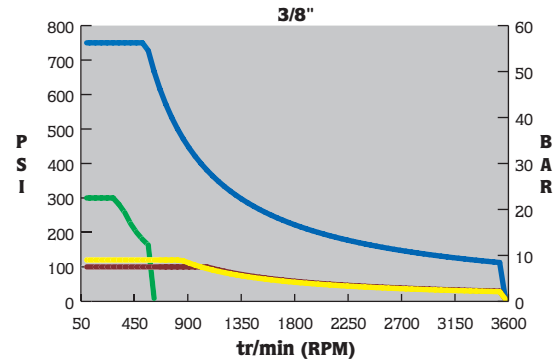
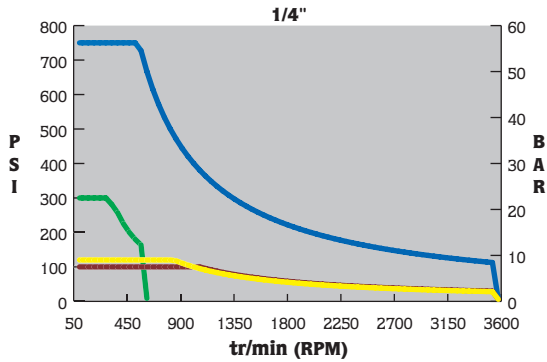
## Cartridge

## Elbows for Stationary Siphon Systems

ø A	Thread	Reference 5800	Reference 5800T	Reference 5800A
1/4"	BSP (Right Hand)	CAR5813I-GD	CAR5813IT-GD	CAR5813IA-GD
1/4"	BSP (Left Hand)	CAR5813I-GG	CAR5813IT-GG	CAR5813IA-GG
3/8"	BSP (Right Hand)	CAR5817I-GD	CAR5817IT-GD	CAR5817IA-GD
3/8"	BSP (Left Hand)	CAR5817I-GG	CAR5817IT-GG	CAR5817IA-GG
1/2"	BSP (Right Hand)	CAR5821I-GD	CAR5821IT-GD	CAR5821IA-GD
1/2"	BSP (Left Hand)	CAR5821I-GG	CAR5821IT-GG	CAR5821IA-GG
1/2"	Flange	CAR5821I-QR	CAR5821IT-QR	CAR5821IA-QR
3/4"	BSP (Right Hand)	CAR5827I-GD	CAR5827IT-GD	CAR5827IA-GD
3/4"	BSP (Left Hand)	CAR5827I-GG	CAR5827IT-GG	CAR5827IA-GG
3/4"	Flange	CAR5827I-QR	CAR5827IT-QR	CAR5827IA-QR
1"	BSP (Right Hand)	CAR5834I-GD	CAR5834IT-GD	CAR5834IA-GD
1"	BSP (Left Hand)	CAR5834I-GG	CAR5834IT-GG	CAR5834IA-GG
1"	Flange	CAR5834I-QR	CAR5834IT-QR	CAR5834IA-QR
1 1/4"	BSP (Right Hand)	CAR5842I-GD	CAR5842IT-GD	CAR5842IA-GD
1 1/4"	BSP (Left Hand)	CAR5842I-GG	CAR5842IT-GG	CAR5842IA-GG
1 1/4"	Flange	CAR5842I-QR	CAR5842IT-QR	CAR5842IA-QR
1 1/2"	BSP (Right Hand)	CAR5849I-GD	CAR5849IT-GD	CAR5849IA-GD
1 1/2"	BSP (Left Hand)	CAR5849I-GG	CAR5849IT-GG	CAR5849IA-GG
1 1/2"	Flange	CAR5849I-QR	CAR5849IT-QR	CAR5849IA-QR
2"	BSP (Right Hand)	CAR5860I-GD	CAR5860IT-GD	CAR5860IA-GD
2"	BSP (Left Hand)	CAR5860I-GG	CAR5860IT-GG	CAR5860IA-GG
2"	Flange	CAR5860I-QR	CAR5860IT-QR	CAR5860IA-QR

ø A	Model 5800	Elbows for dual flow	X	J (BSP)	K	ø M	N
1/4"	5813I-GD	CC5913-GD	27	3/8"	1/8"		
1/4"	5813I-GG	CC5913-GD	27	3/8"	1/8"		
3/8"	5817I-GD	CC5917-GD	27	3/8"	1/8"		
3/8"	5817I-GG	CC5917-GD	27	3/8"	1/8"		
1/2"	5821I-GD	CC5921-GD	27	3/8"	1/8"	9,42 - 9,40	32
1/2"	5821I-GG	CC5921-GD	27	3/8"	1/8"	9,42 - 9,40	32
1/2"	5821I-QR	CC5921-GD	27	3/8"	1/8"	9,42 - 9,40	32
3/4"	5827I-GD	CC5927-GD	27	1/2"	1/4"	12,60 - 12,55	32
3/4"	5827I-GG	CC5927-GD	27	1/2"	1/4"	12,60 - 12,55	32
3/4"	5827I-QR	CC5927-GD	27	1/2"	1/4"	12,60 - 12,55	32
1"	5834I-GD	CC5934-GD	37,3	1/2"	3/8"	15,77 - 15,72	32
1"	5834I-GG	CC5934-GD	37,3	1/2"	3/8"	15,77 - 15,72	32
1"	5834I-QR	CC5934-GD	37,3	1/2"	3/8"	15,77 - 15,72	32
1 1/4"	5842I-GD	CC5942-GD	26,2	3/4"	1/2"	18,92 - 18,87	38
1 1/4"	5842I-GG	CC5942-GD	26,2	3/4"	1/2"	18,92 - 18,87	38
1 1/4"	5842I-QR	CC5942-GD	26,2	3/4"	1/2"	18,92 - 18,87	38
1 1/2"	5849I-GD	CC5949-GD	29,4	3/4"	3/4"	25,40 - 25,30	45
1 1/2"	5849I-GG	CC5949-GD	29,4	3/4"	3/4"	25,40 - 25,30	45
1 1/2"	5849I-QR	CC5949-GD	29,4	3/4"	3/4"	25,40 - 25,30	45
2"	5860I-GD	CC5960-GD	29,4	3/4"	3/4"	25,40 - 25,30	45
2"	5860I-GG	CC5960-GD	29,4	3/4"	3/4"	25,40 - 25,30	45
2"	5860I-QR	CC5960-GD	29,4	3/4"	3/4"	25,40 - 25,30	45

## Performance Charts (pressure/RPM)



■ Water     
 ■ Air     
 ■ Hot Oil     
 ■ Steam