

## Block Clamp

Series:

**RS4**

Application:

Parallel fastening of single- and multi-conductor cables  
in four group block,  
unrestricted application indoors and outdoors

Material:

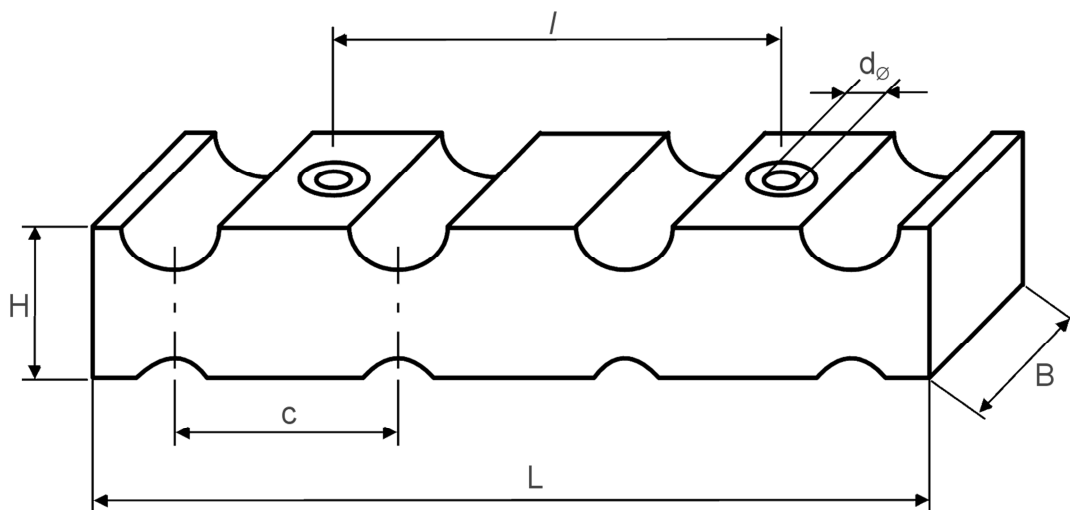
Polyamide

Outer diameter of cables:

12 mm to 32 mm

Mechanical resistance to short circuits: 10,000 N

Max. torque for tightening screws: 8 Nm



Dimensions in mm

Type	$D_{\varnothing}$	L	B	l	$d_{\varnothing}$	H	c
<b>RS4 - 12/32</b>	12 - 32	275	53	150	13	51	75

 $D_{\varnothing}$ : outer cable diameter

Fastening example:

